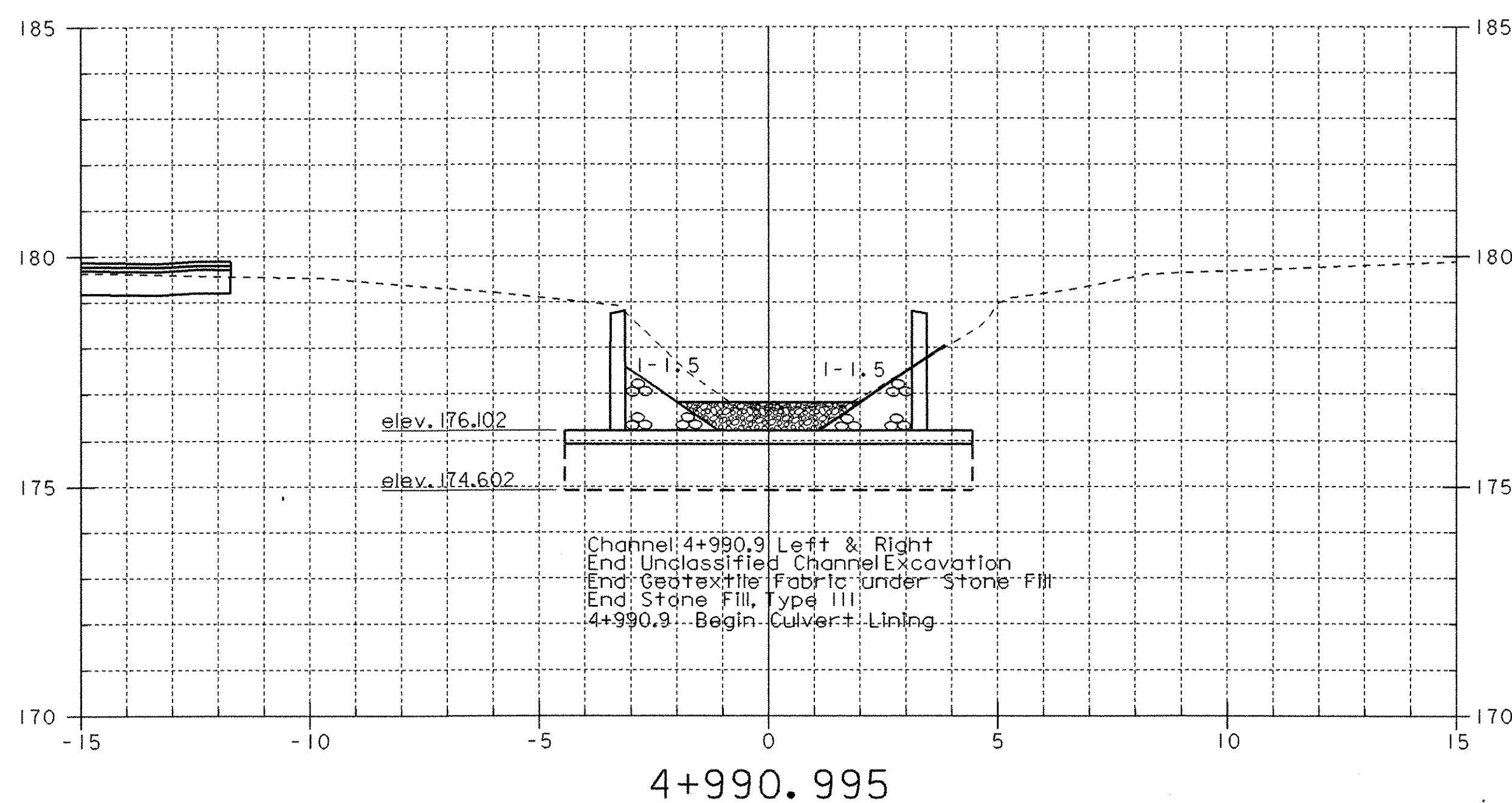
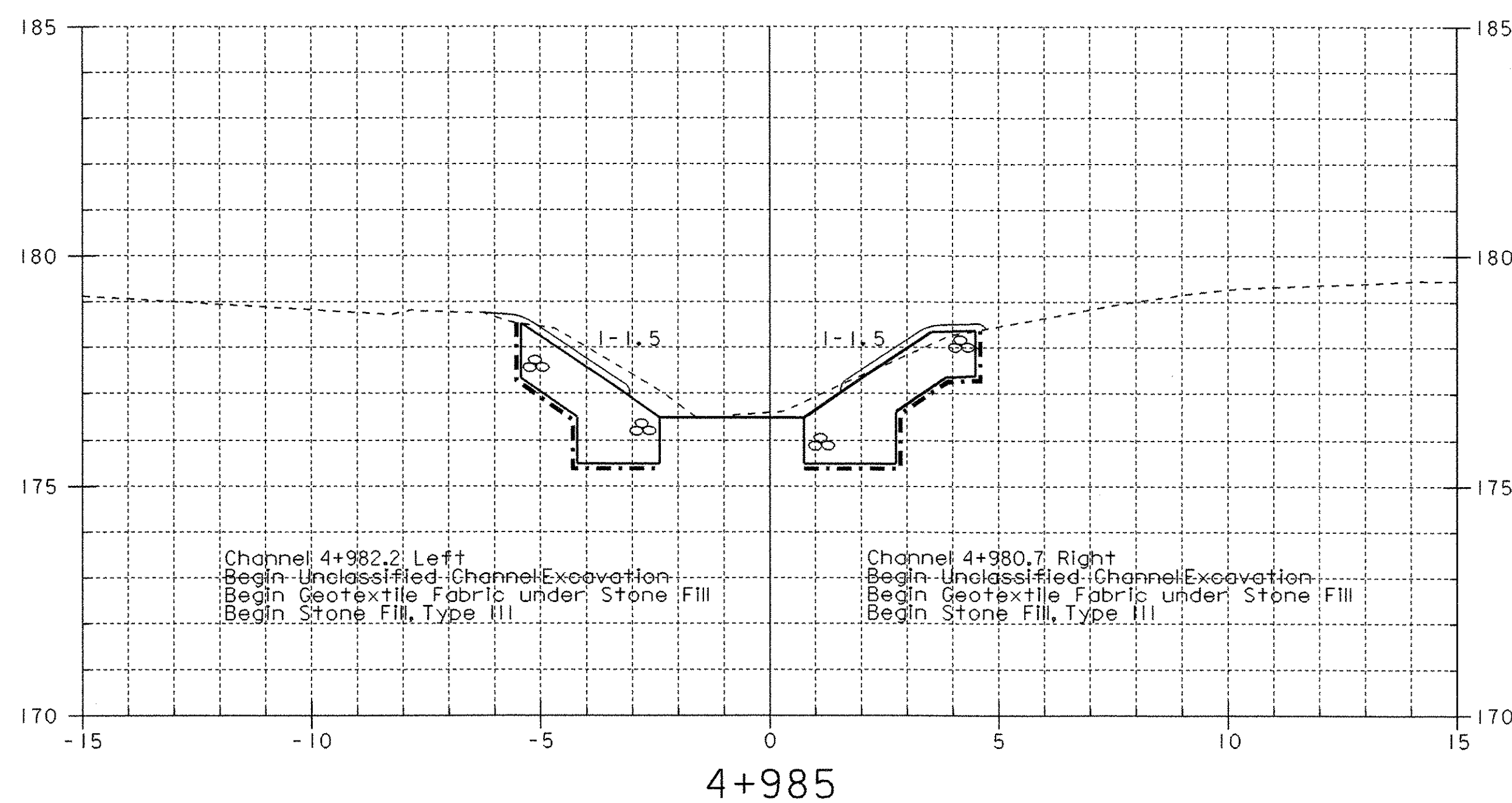
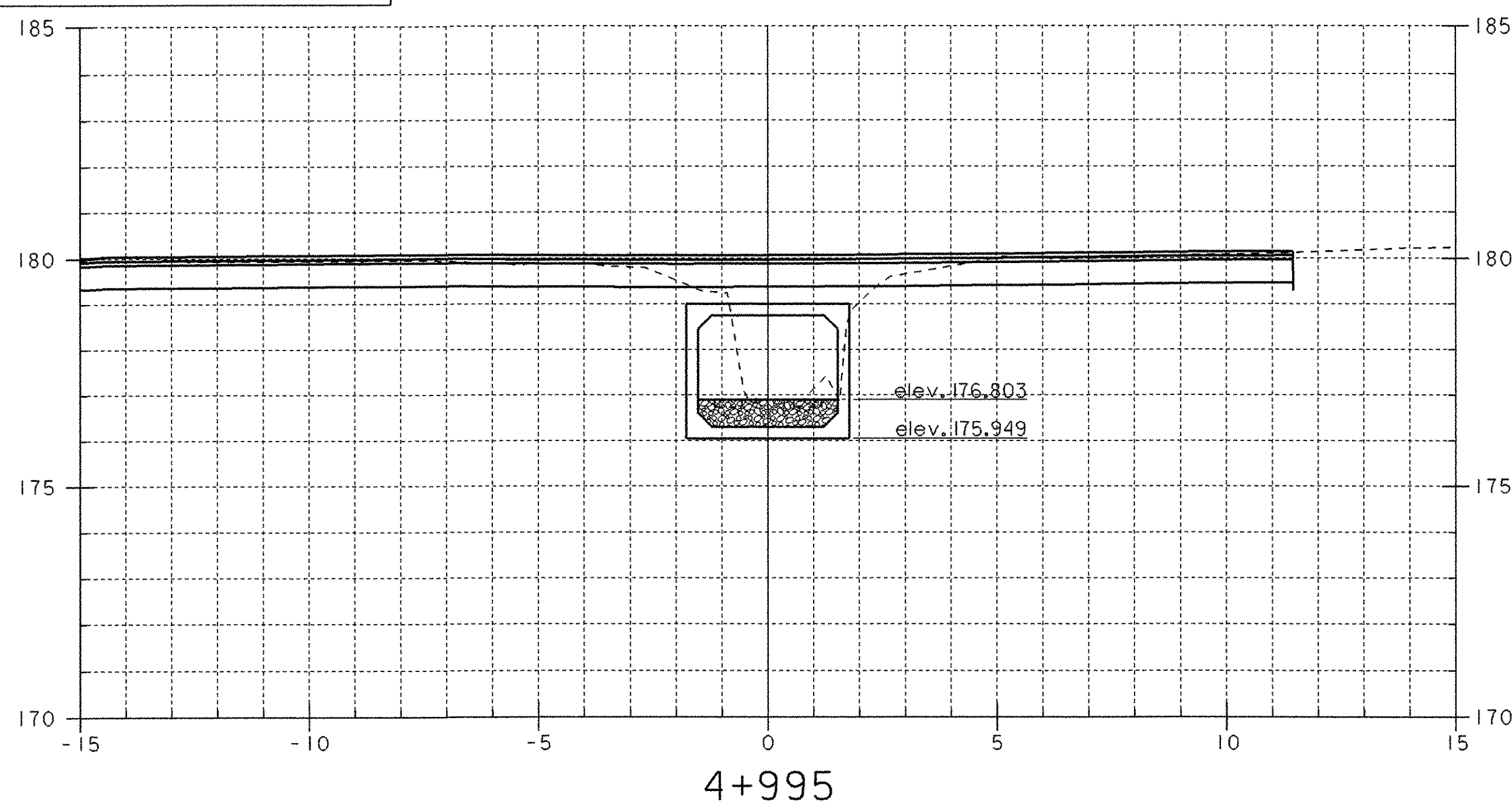
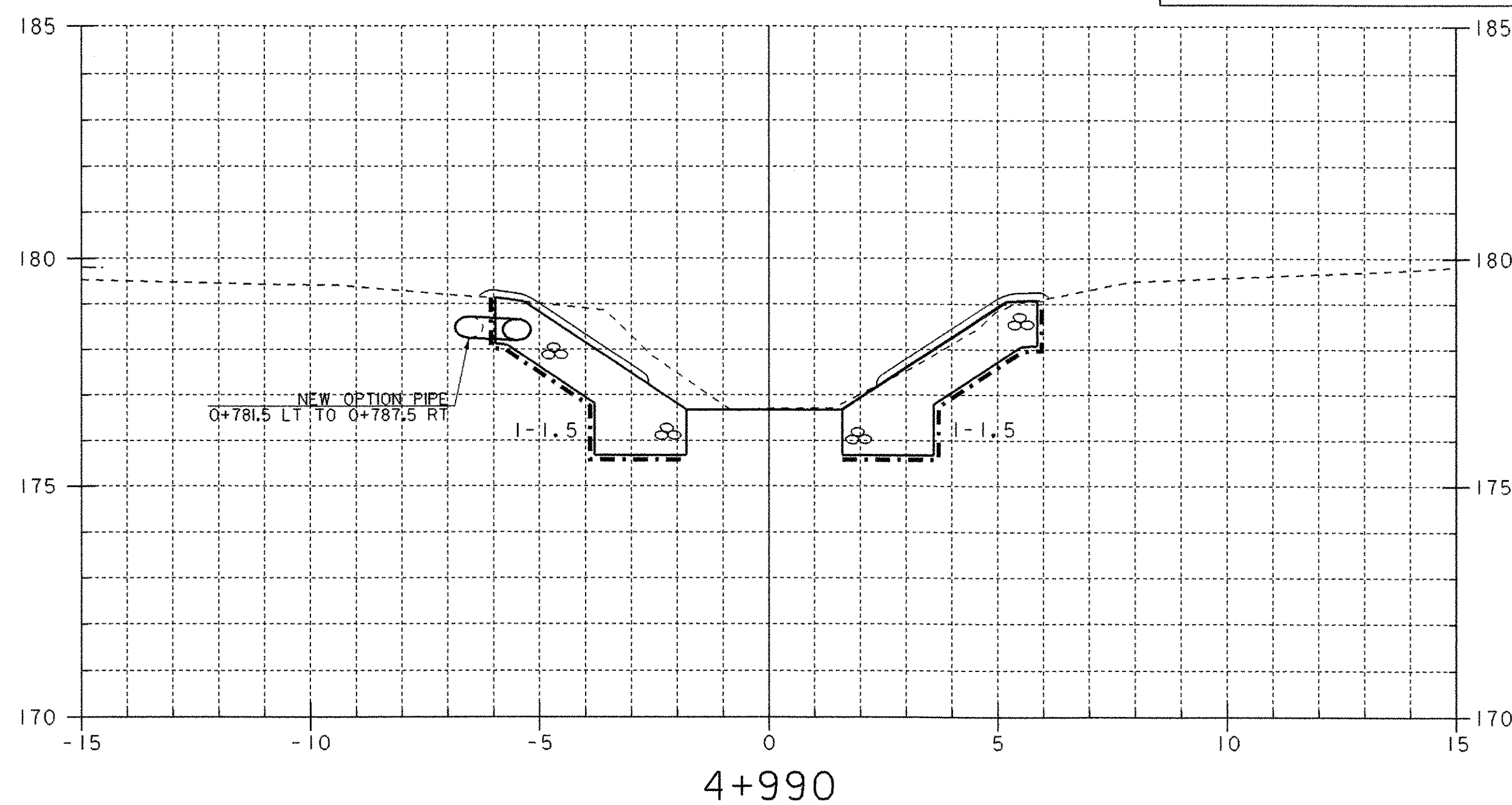
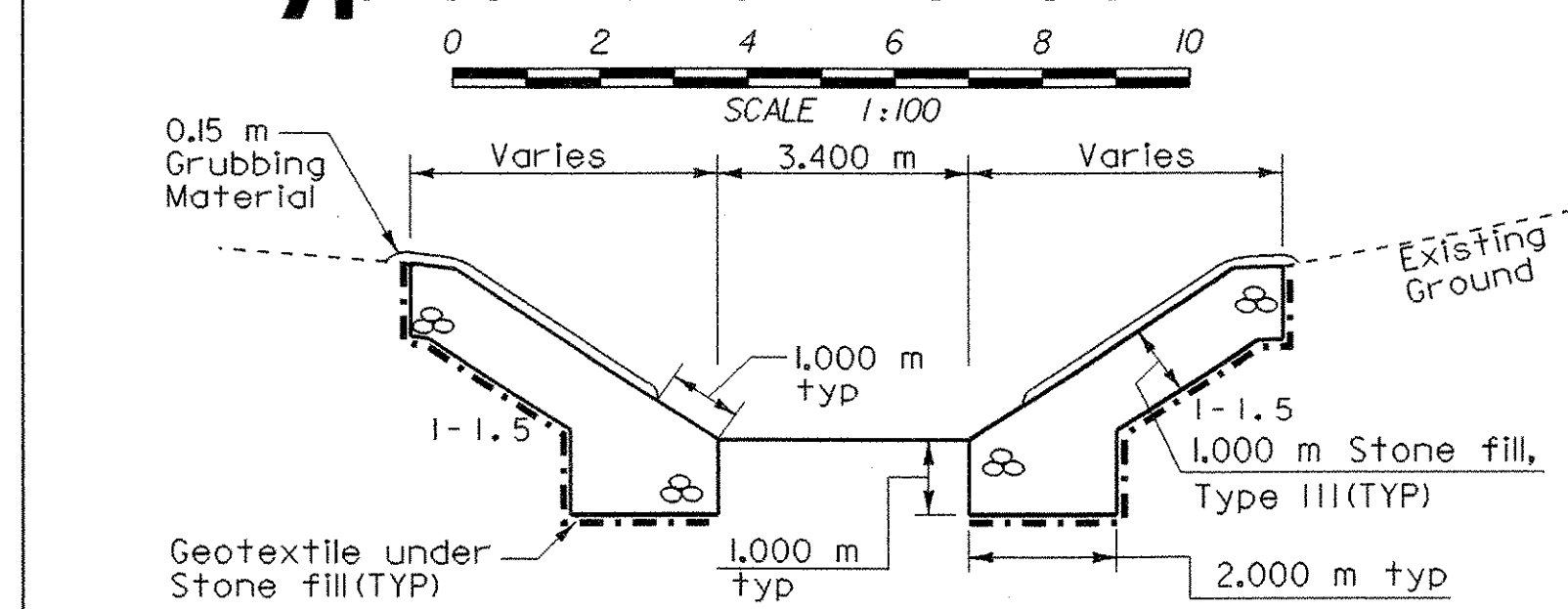


Typical Channel Section



CHANNEL SECTIONS

PROJECT NAME: POWNAL
PROJECT NUMBER: STP RS 0107 (8)

FILE NAME: /84c028/str/sc028xs.dgn PLOT DATE: 10-MAY-2007
PROJECT LEADER: W. SYMONDS DRAWN BY: K. RUTTER
DESIGNED BY: G. SHANGRAW CHECKED BY: T. SUMNER
sc028cs2.i SHEET 63 OF 65

