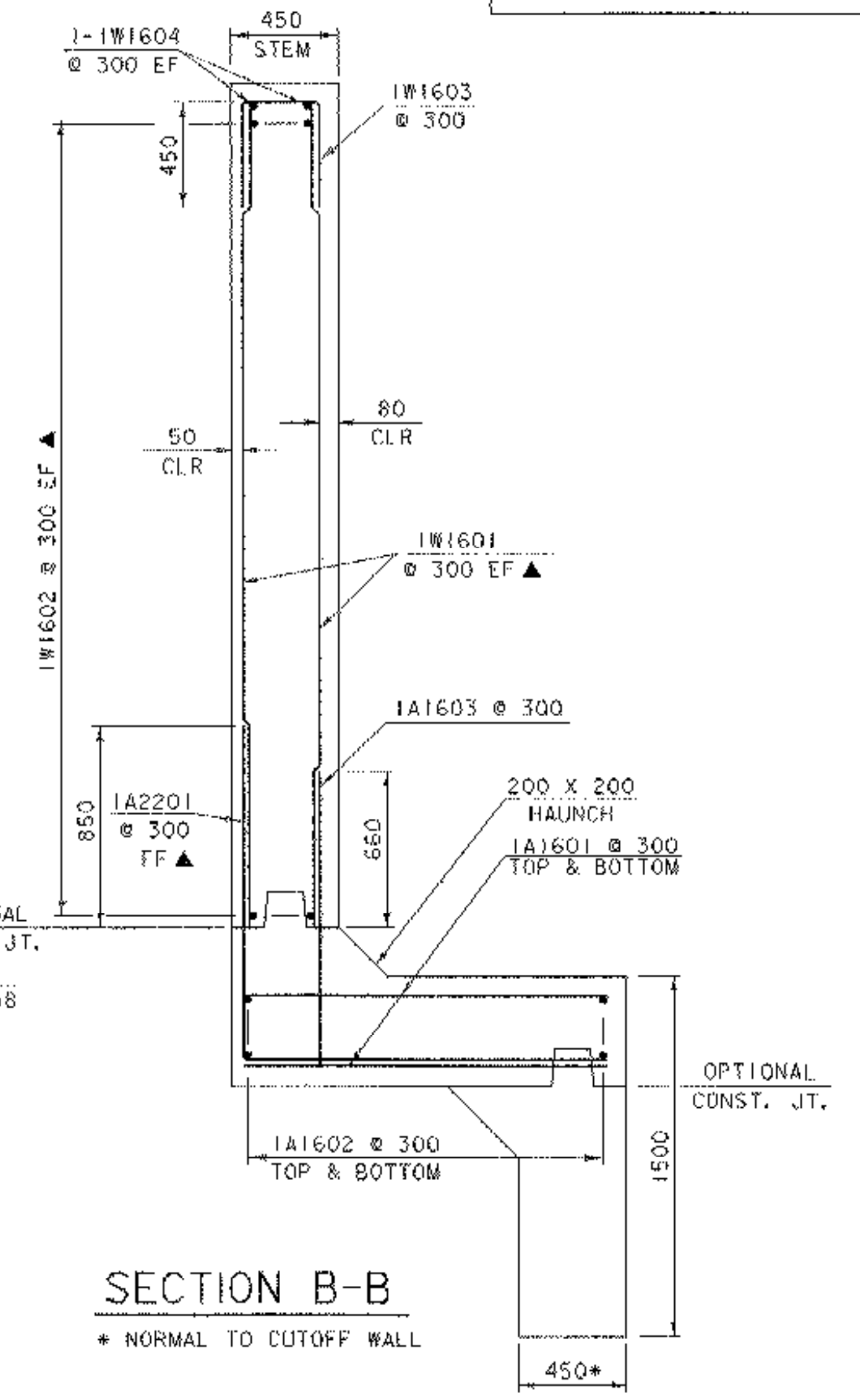
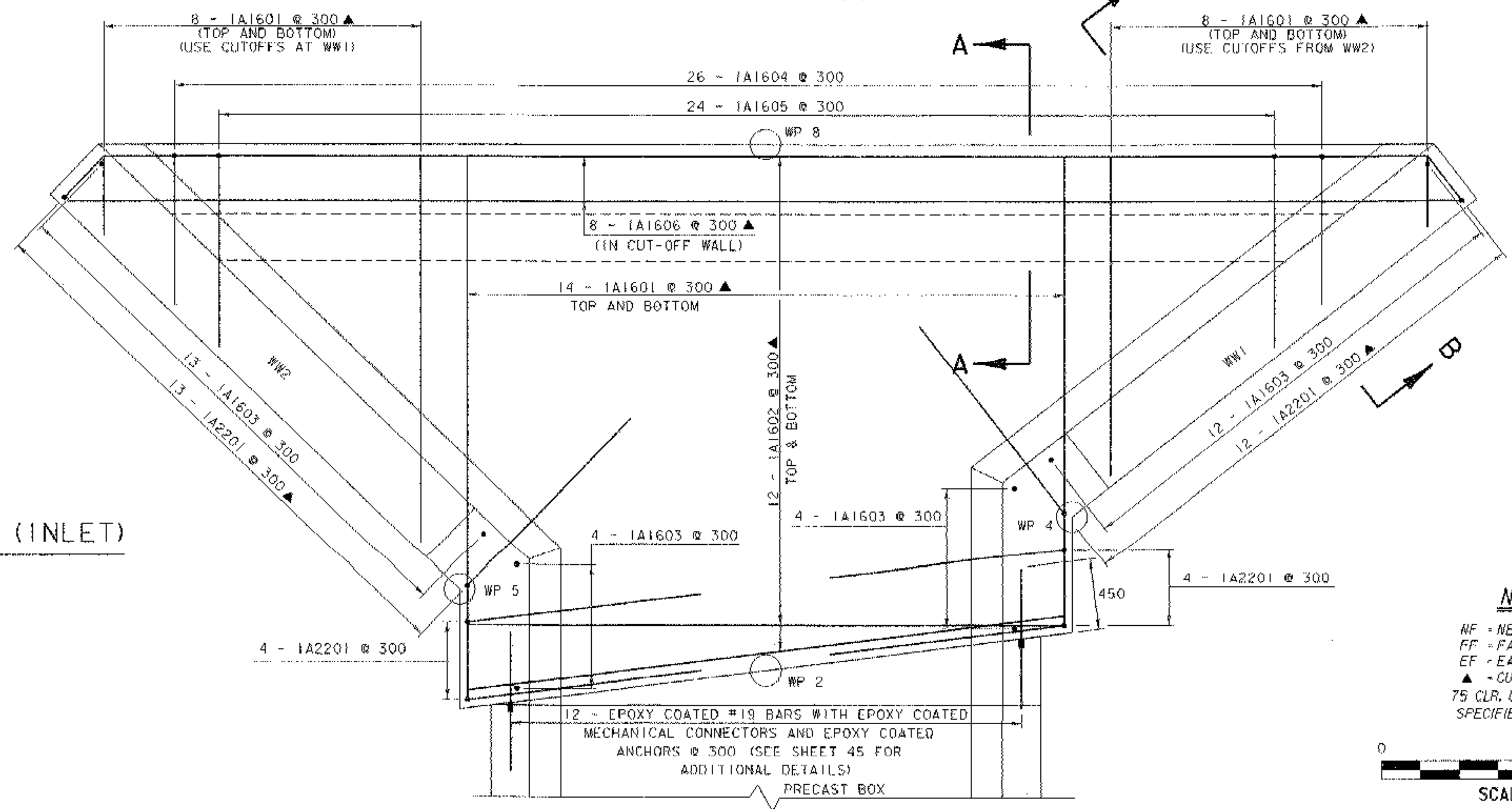


ELEVATION WINGWALL 2

ELEVATION WINGWALL 1

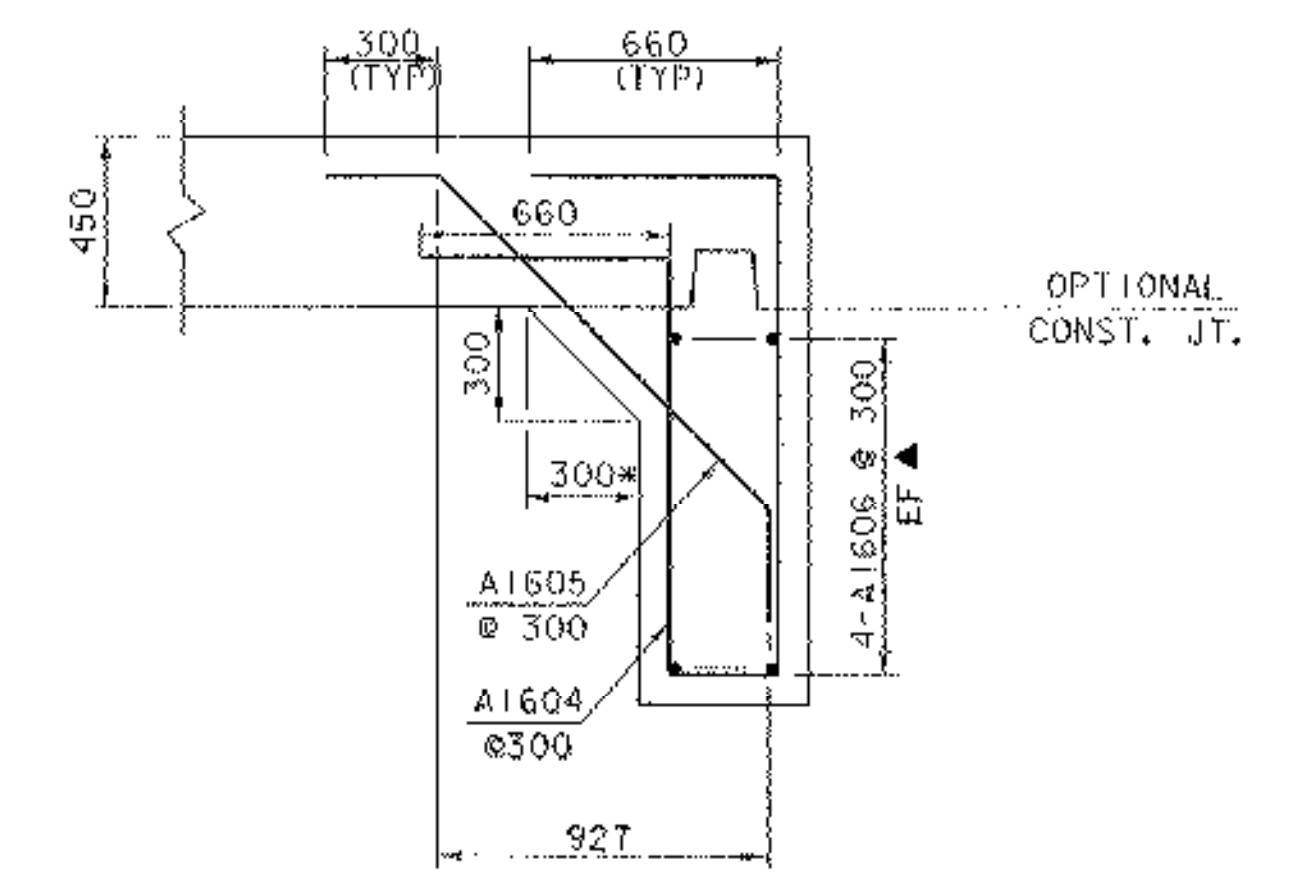


SECTION B-B
* NORMAL TO CUTOFF WALL



APRON I (INLET)

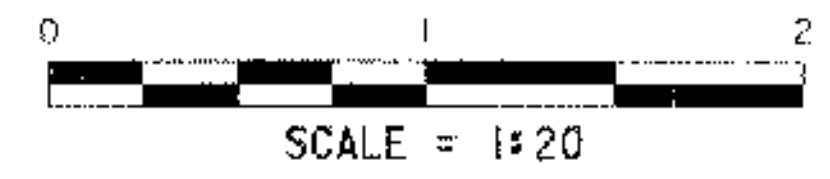
CHANGED TO PRE-CAST



SECTION A-A
CUT-OFF WALL TYPICAL
* NORMAL TO CUTOFF WALL

NOTE:

- NF - NEAR FACE
- FF - FAR FACE
- EF - EACH FACE
- ▲ - CUT TO FIT IN FIELD
- 75 CLR, UNLESS OTHERWISE SPECIFIED ON THE PLANS.



WINGWALL #1 & #2 DETAILS

PROJECT NAME:	POWNAI	PLOT DATE:	10-MAY-2007
PROJECT NUMBER:	STP RS 0107 (8)	DRAWN BY:	R. PELLETT
FILE NAME:	/84c028/str/sc028ww.dgn	DESIGNED BY:	T. FILLBACH
PROJECT MANAGER:	W. SYMONDS	CHECKED BY:	T. SUMNER
sc028ww13		SHEET	43 OF 65