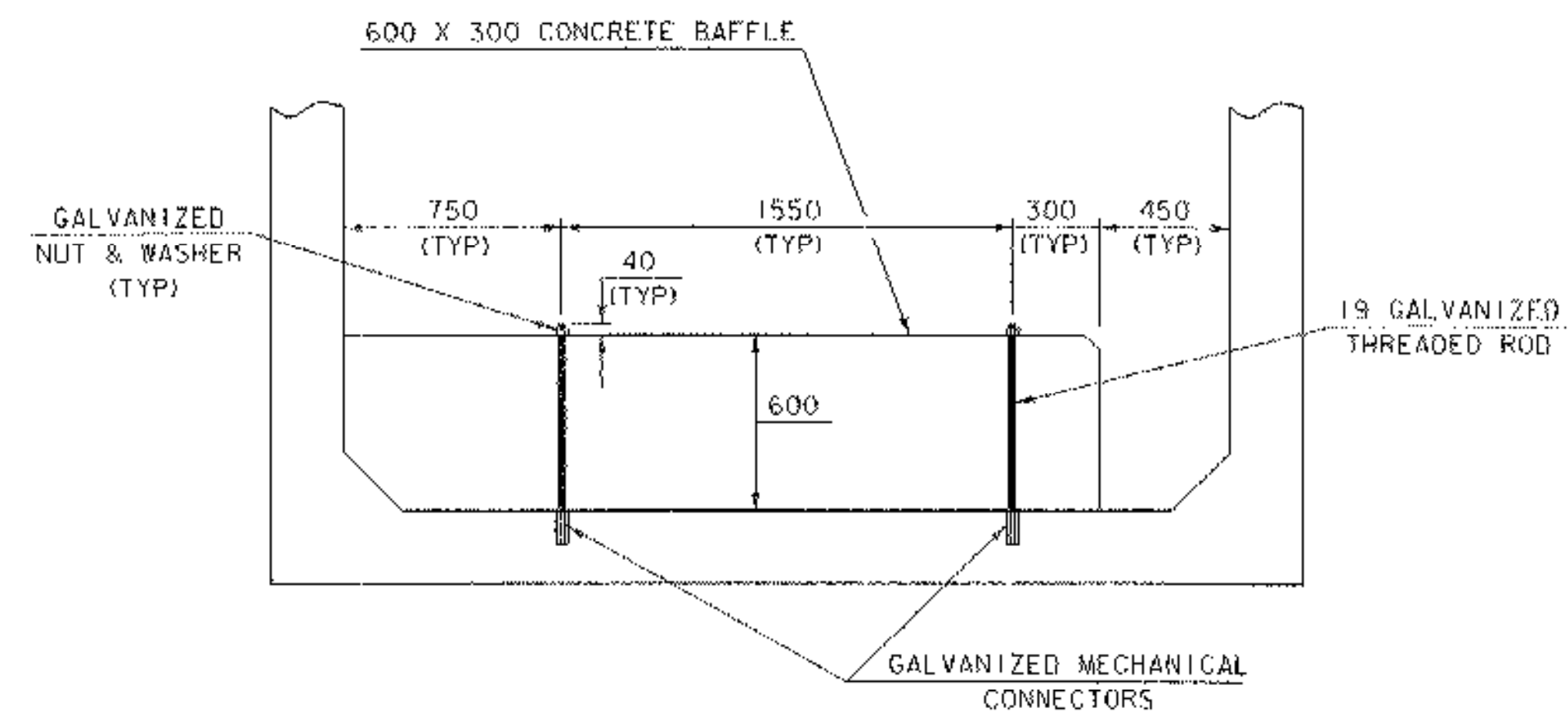


POINT	CHANNEL STATION	OFFSET
WP1	4+999.829	0.000
WP2	5+005.109	0.000
WP3	4+994.549	0.000
WP4	5+006.108	1.975
WP5	5+005.624	-1.975
WP6	4+994.037	1.975
WP7	4+993.550	-1.975
WP8	5+008.499	0.000
WP9	4+990.995	0.000

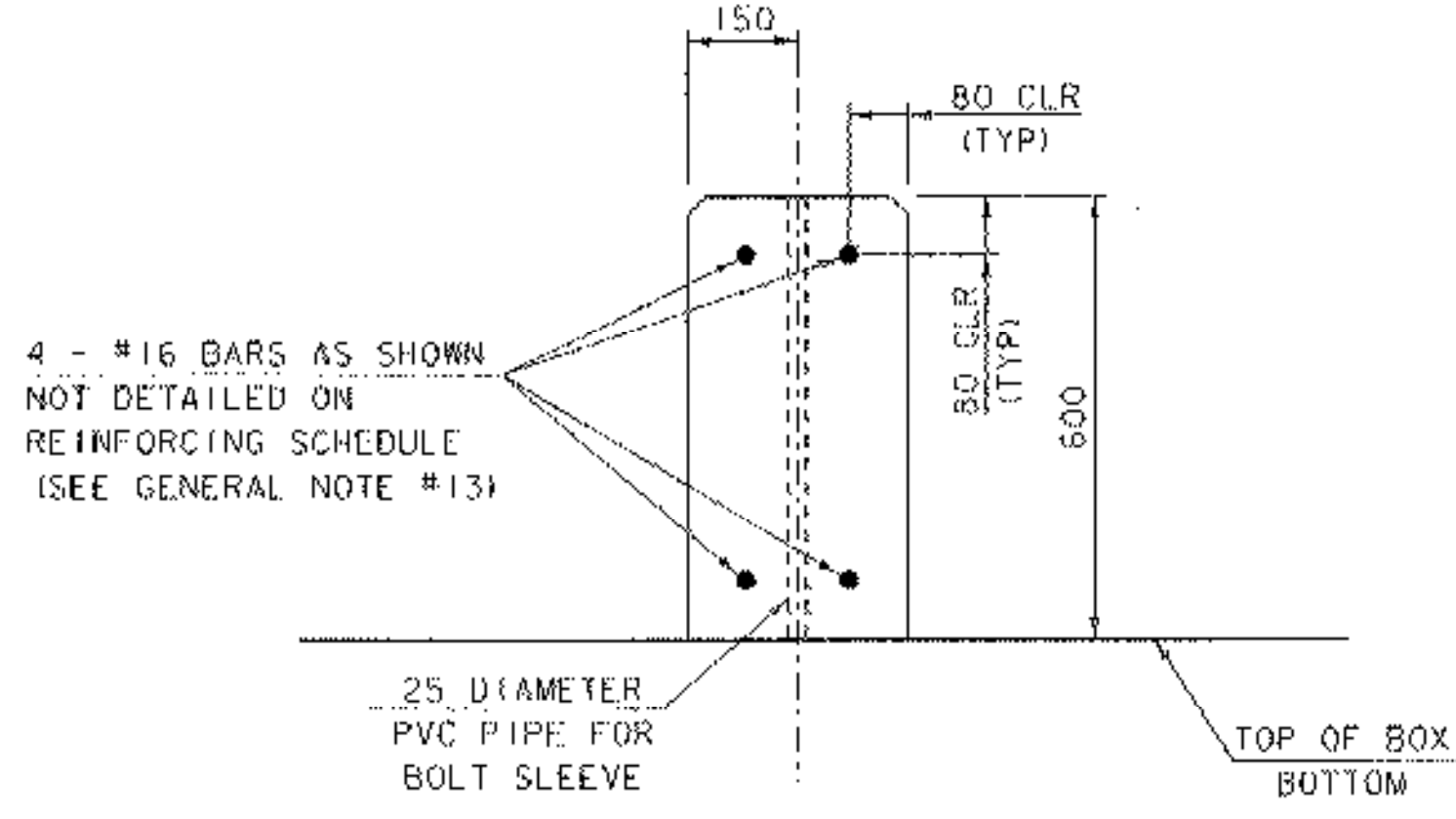
BOX LAYOUT
 0 1 2 3 4
 SCALE = 1:40

* THE PRECAST BOX SECTIONS ARE SHOWN FOR REFERENCE ONLY. THE ACTUAL DIMENSIONS AND SHAPE WILL BE DEPENDENT ON THE FABRICATOR.

CHANGED TO PRE-CAST



BAFFLE DETAIL
 0 1 2
 SCALE = 1:20



BAFFLE SECTION
 0 0.5 1
 SCALE = 1:10

NOTE:
 NF - NEAR FACE
 FF - FAR FACE
 EF - EACH FACE
 ▲ - CUT TO FIT IN FIELD
 75 CLR, UNLESS OTHERWISE SPECIFIED ON THE PLANS.

BOX LAYOUT

PROJECT NAME: POWNAL
 PROJECT NUMBER: STP RS 0107 (8)

FILE NAME: /84c028/str/sc028ww.dgn
 PROJECT MANAGER: W. SYMONDS
 DESIGNED BY: K. RUTTER
 sc028box.l

PLOT DATE: 10-MAY-2007
 DRAWN BY: K. RUTTER
 CHECKED BY: T. SUMNER
 SHEET 42 OF 65