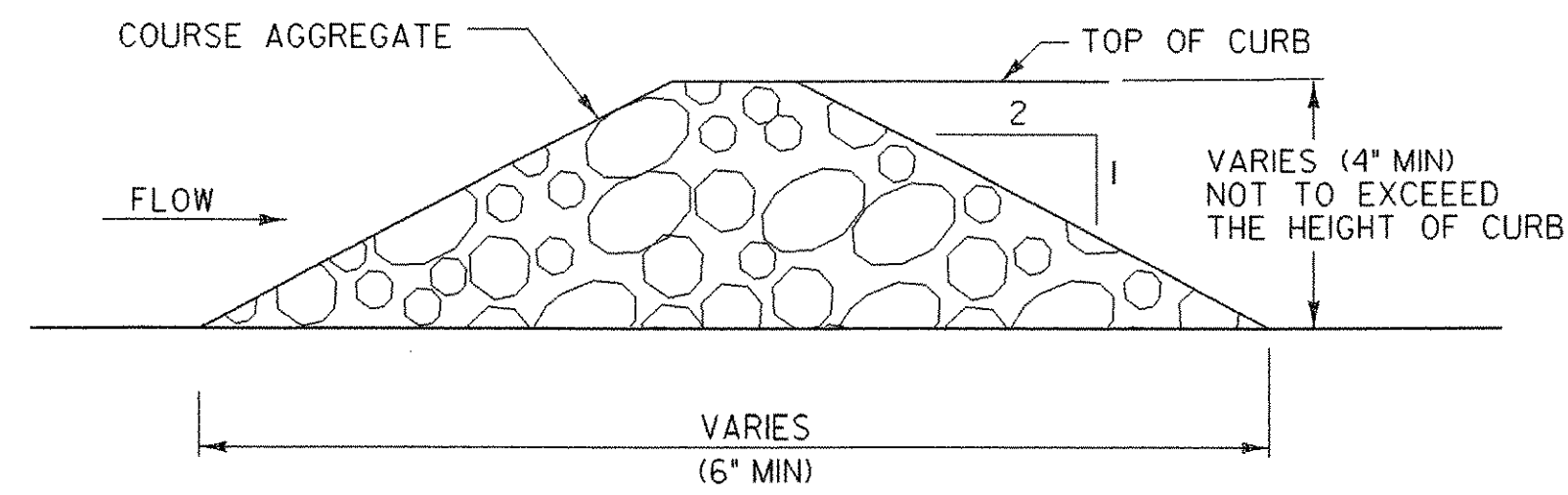
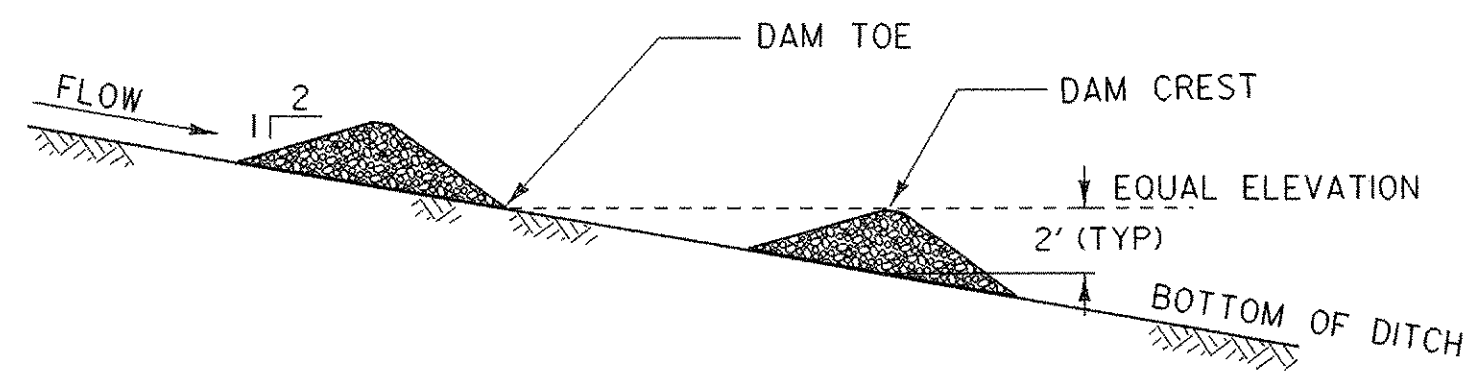


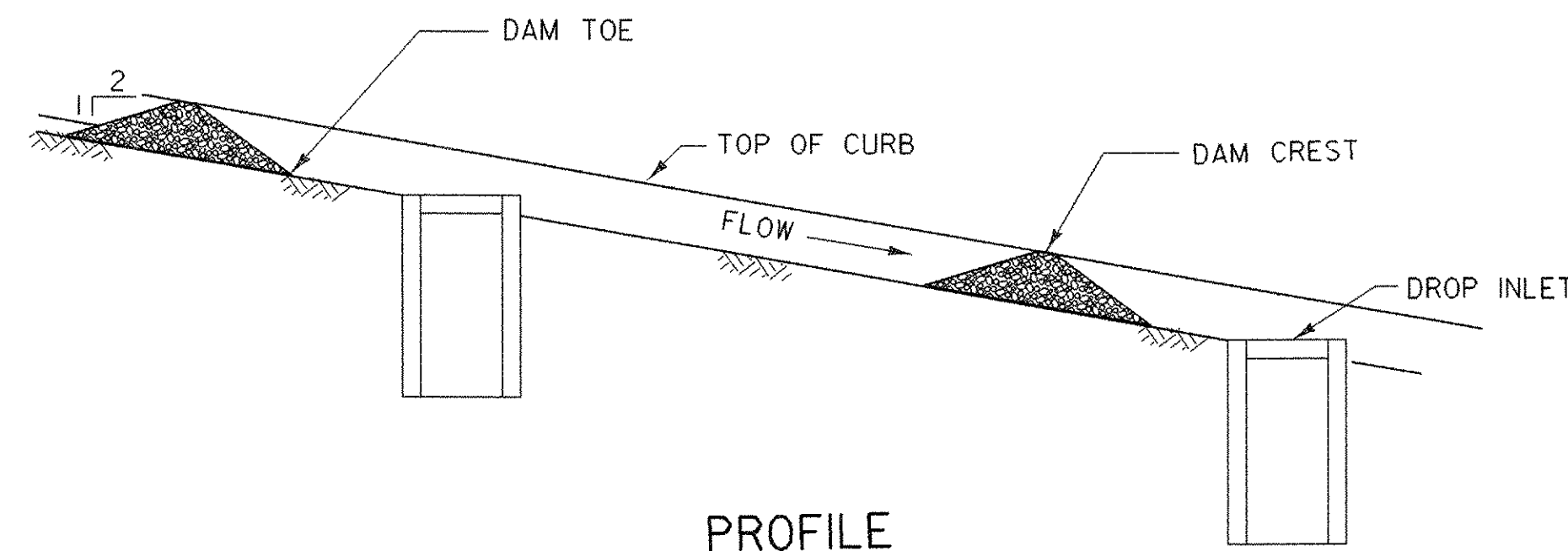
CROSS SECTION



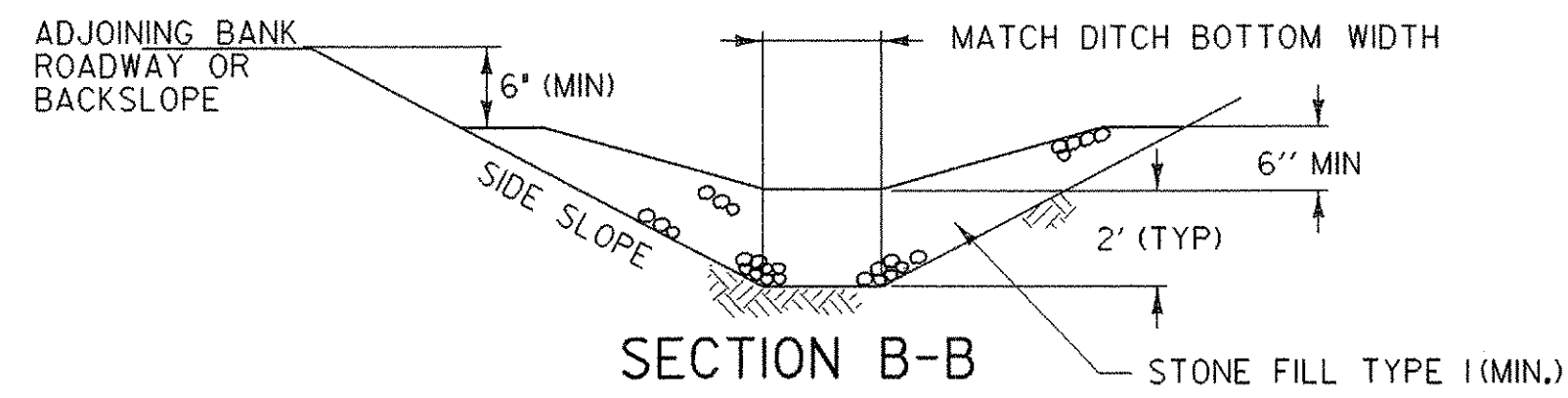
CROSS SECTION



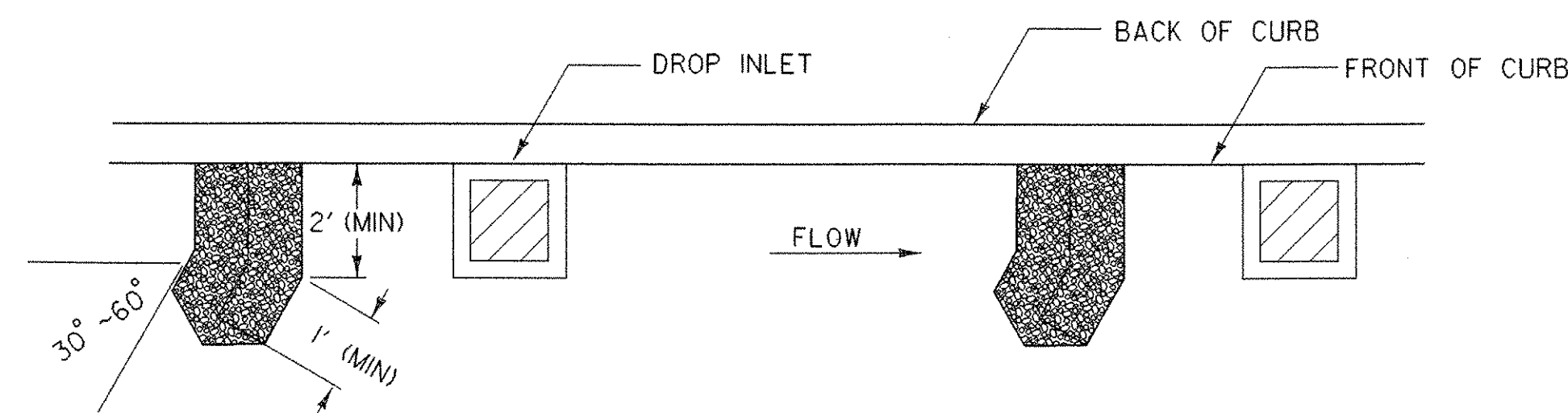
PROFILE



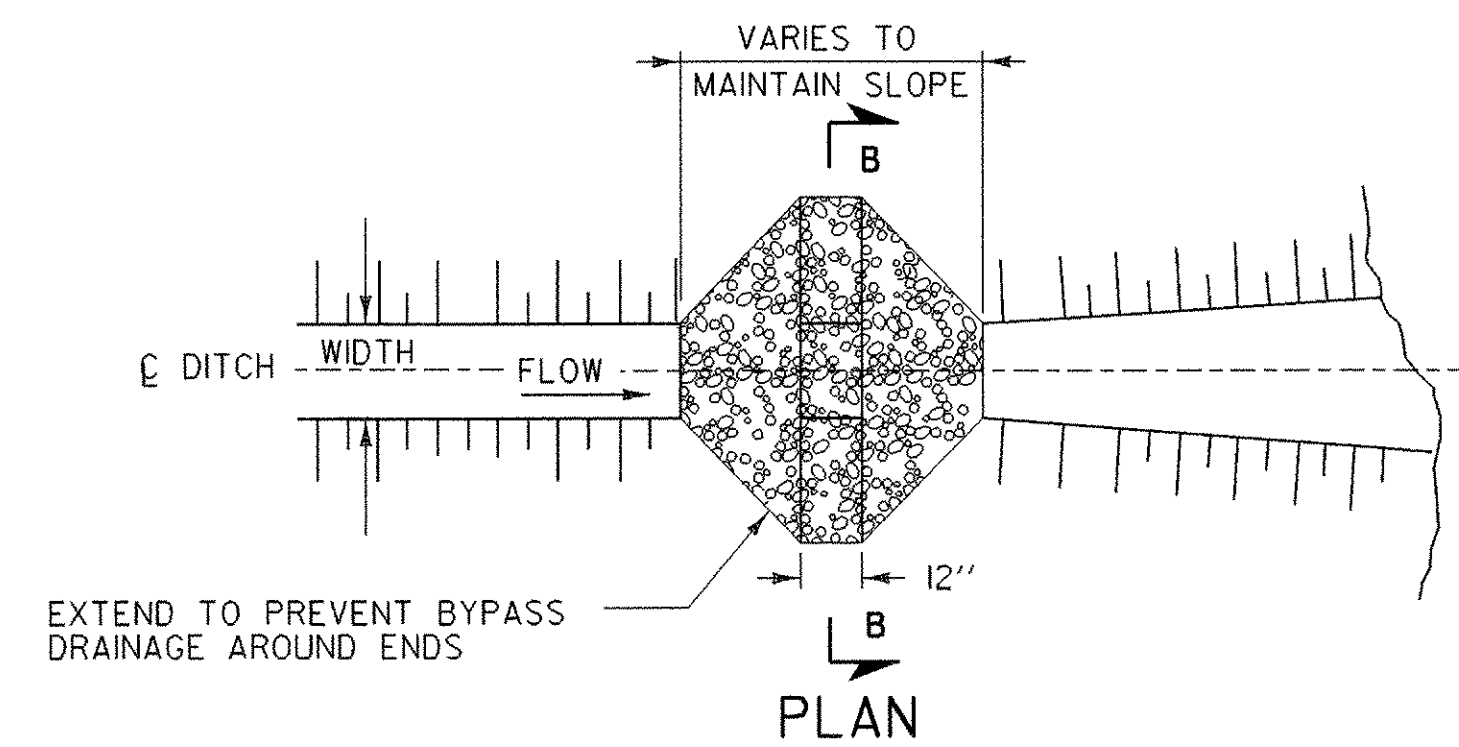
PROFILE



SECTION B-B



PLAN



PLAN

TEMPORARY STONE CHECK DAM
TYPE I

REVISIONS AND CORRECTIONS

JULY 15, 2005 N. GARBACIK NOT TO SCALE

TEMPORARY STONE CHECK DAM
TYPE II

NOT TO SCALE

TEMPORARY CHECK DAMS

APPLICATION NOTES:

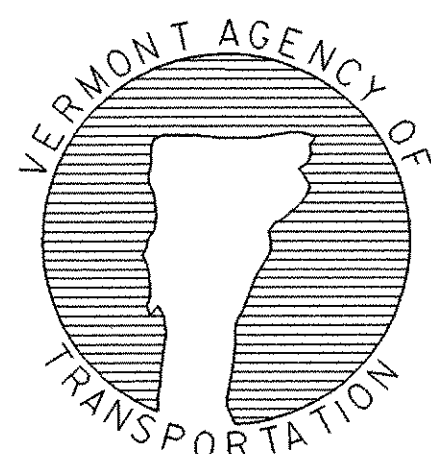
- TEMPORARY CHECK DAM TYPE I IS USED FOR CHANNEL FLOW, CHECK DAM TYPE II IS USED FOR FLOW ALONG A CURB.
- THE PRIMARY PURPOSE OF A TEMPORARY STONE CHECK DAM (TYPE I) IS TO REDUCE EROSION IN A CHANNEL BY REDUCING FLOW VELOCITY.
- THE PRIMARY PURPOSE OF A TEMPORARY STONE CHECK DAM (TYPE II) IS TO LIMIT THE AMOUNT OF SEDIMENT ENTERING A CLOSED DRAINAGE SYSTEM WITH STORMWATER RUNOFF.
- TEMPORARY CHECK DAMS WILL CAPTURE SEDIMENT THAT FALLS OUT OF SUSPENSION BEHIND THE CHECK DAMS DUE TO DECREASED VELOCITY. CHECK DAMS ARE NOT INTENDED TO FILTER SEDIMENT FROM STORMWATER.
- DETAILS SHOWN SHALL BE USED FOR TEMPORARY INSTALLATION ONLY.
- USE OF PREFABRICATED TEMPORARY CHECK DAMS SHALL BE AS APPROVED IN THE EPSCP.

GENERAL NOTES:

- GEOTEXTILE SHALL BE INSTALLED UNDER TEMPORARY STONE CHECK DAMS TYPE I. IT SHALL BE KEYED IN ON THE UPHILL END AND SHALL EXTEND 2 FEET BEYOND THE STONE ON THE DOWNHILL END.
- STONE FOR TEMPORARY STONE CHECK DAMS SHALL MEET THE GRADATION REQUIREMENTS SPECIFIED IN THE CONTRACT DOCUMENTS.
- PREFABRICATED TEMPORARY CHECK DAMS SHALL BE INSTALLED PER MANUFACTURERS RECOMMENDATIONS.
- TEMPORARY CHECK DAMS SHALL BE INSPECTED EVERY SEVEN (7) CALENDAR DAYS AND WITHIN 24 HOURS OF A STORM EVENT GREAT ENOUGH TO CAUSE WATER TO LEAVE THE CONSTRUCTION SITE.
- TEMPORARY CHECK DAMS SHALL BE CLEANED AND REPAIRED AS NEEDED. SEDIMENT SHALL BE REMOVED WHEN ACCUMULATION REACHES ONE-HALF OF THE HEIGHT OR AS RECOMMENDED BY THE MANUFACTURER. SEDIMENT SHALL BE DISPOSED OF AT AN APPROVED WASTE SITE.
- AT TIME OF REMOVAL OF THE TEMPORARY CHECK DAM, THE DISTURBED AREA SHALL BE REPAIRED AND STABILIZED.

STONE CHECK DAM PLACEMENT INTERVAL	
DITCH SLOPE	PLACEMENT INTERVAL **
1 %	200 FT
2 %	100 FT
3 %	65 FT
4 %	50 FT
5 %	40 FT
6 %	30 FT
8 %	25 FT
10 %	20 FT

** BASED ON 2' TYPICAL HEIGHT



DETAIL
EPSC-2

EROSION PREVENTION & SEDIMENT CONTROL DETAILS TEMPORARY CHECK DAMS

PROJECT NAME: POWNAL
PROJECT NUMBER: STP RS 0107(8)

FILE NAME: /84c028/str/sc028ero.dgn PLOT DATE: 10-MAY-2007
PROJECT LEADER: W. SYMONDS DRAWN BY: STANDARD
DESIGNED BY: STANDARD CHECKED BY: STANDARD
sc028epsc-2.1 SHEET 34 OF 65