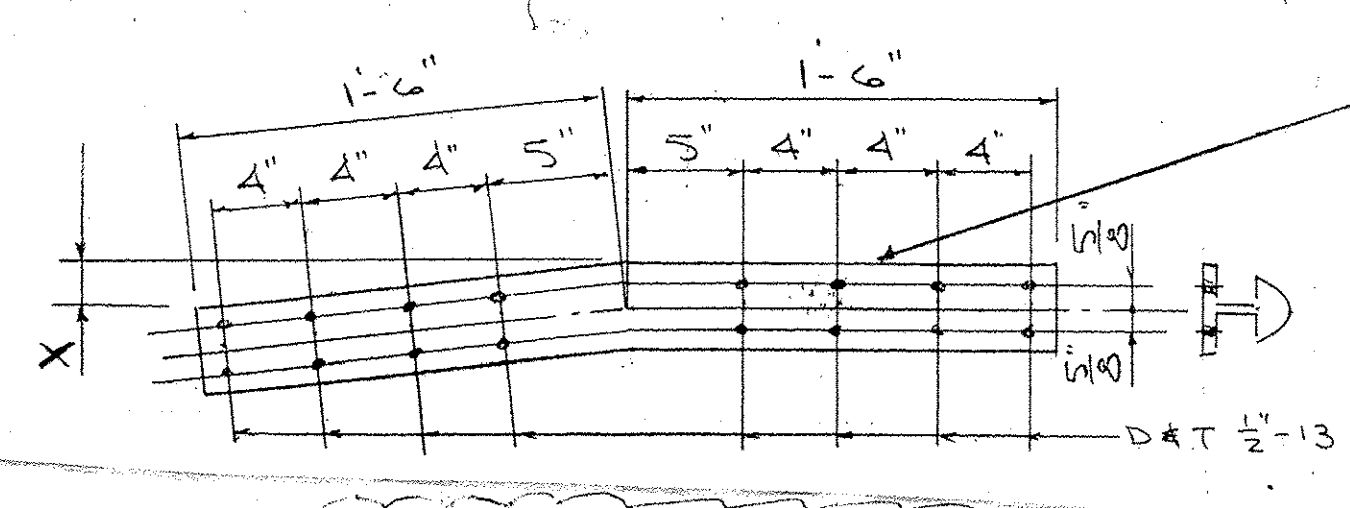
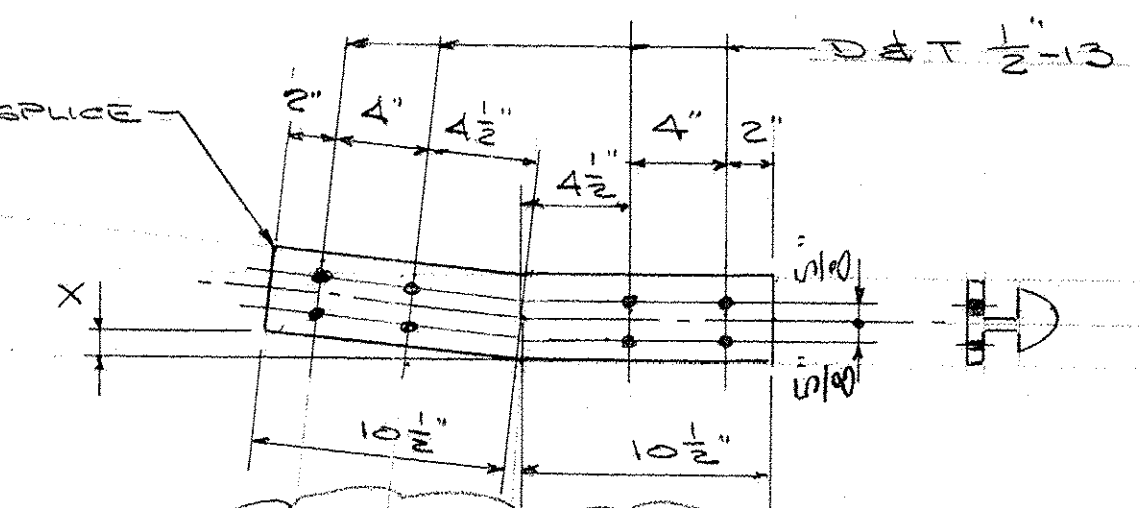


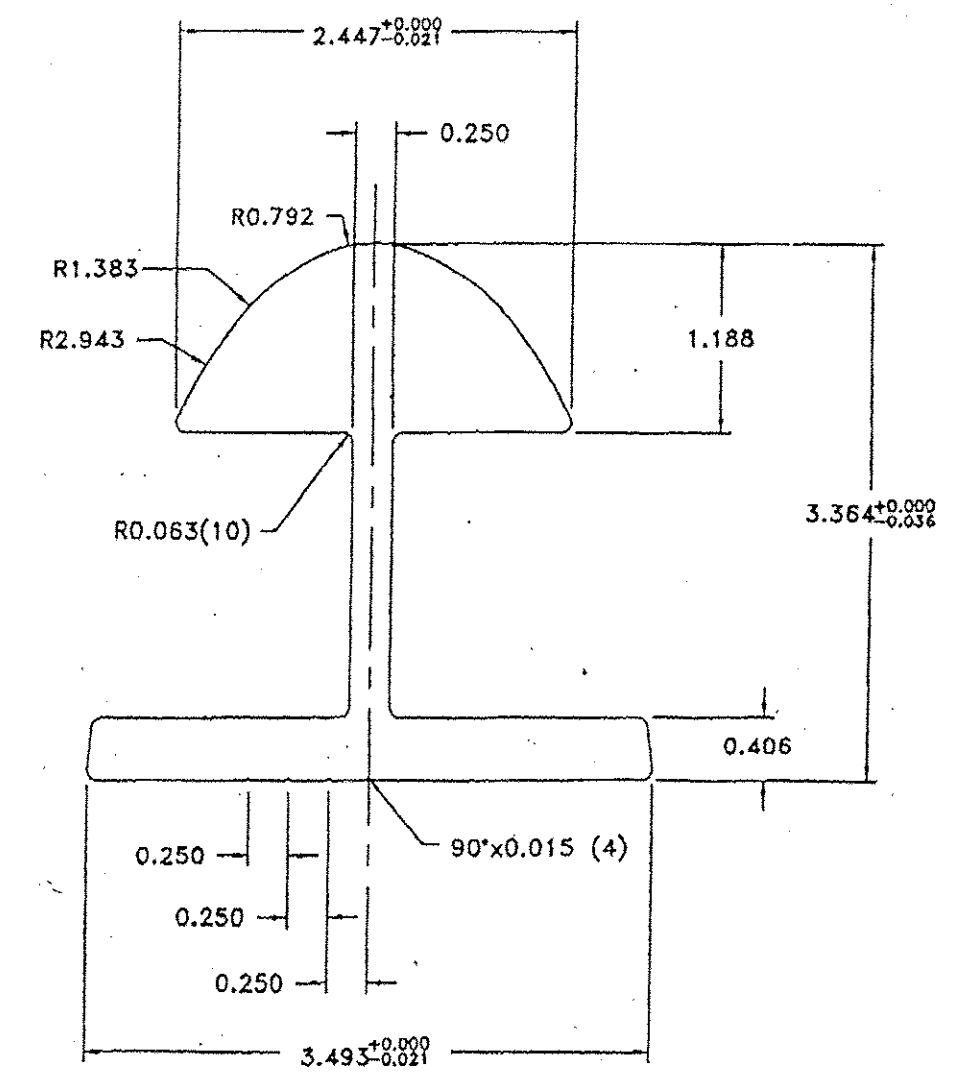
QUAN	MK	X
2	H51	0
2	H52	11/16"
2	H53	1/16"



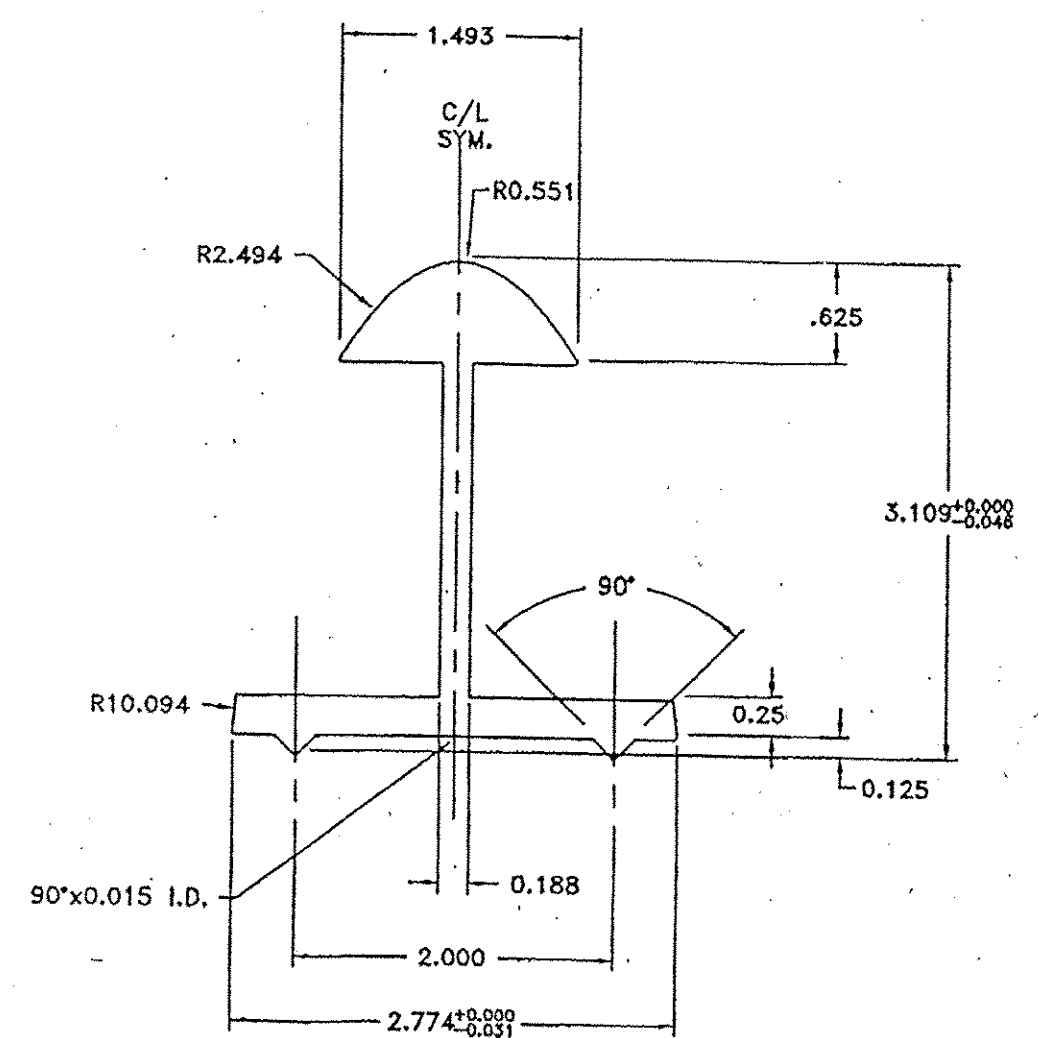
QUAN	MK	X
4	TS1	0
4	TS2	3/16"
2	TS3	5/32"
2	TS8	3/16"



QUAN	MK	X
2	TS4	7/16"
4	TS5	3/32"



TRAFFIC RAIL SPICE
EXTRUSION
ALLOY 6061-T6



HANDRAIL SPICE
EXTRUSION
ALLOY 6061-T6

RECEIVED OK'D BY: <u>WSS</u> OK'D BY: <u>[Signature]</u> JUN 3 3 2009 RESUBMITTED APPROVED <input checked="" type="checkbox"/> BY: _____ DATE: 6-16-09		AUCIELLO IRON WORKS INC 560 MAIN ST. HUDSON, MA (978) 568-8382 VT AGENCY OF TRANSPORTATION WILLIAMSTOWN *BRS 0204 (H) ROUTE 64 OVER BROOK AL. BRIDGE # APPROACH RAILING SURFACE PREP: NONE FINISH: MILL FINISH FOR: F.R. LAFAYETTE, INC. DR: _____ CHK: <u>[Signature]</u> 1-22-09 JOB NO. _____ AS31005-1001
2 430-09 FOR APPROVAL 1 1-28-09 FOR APPROVAL	B D DWG. NO. BR-2950 SHEET 7 OF 8	