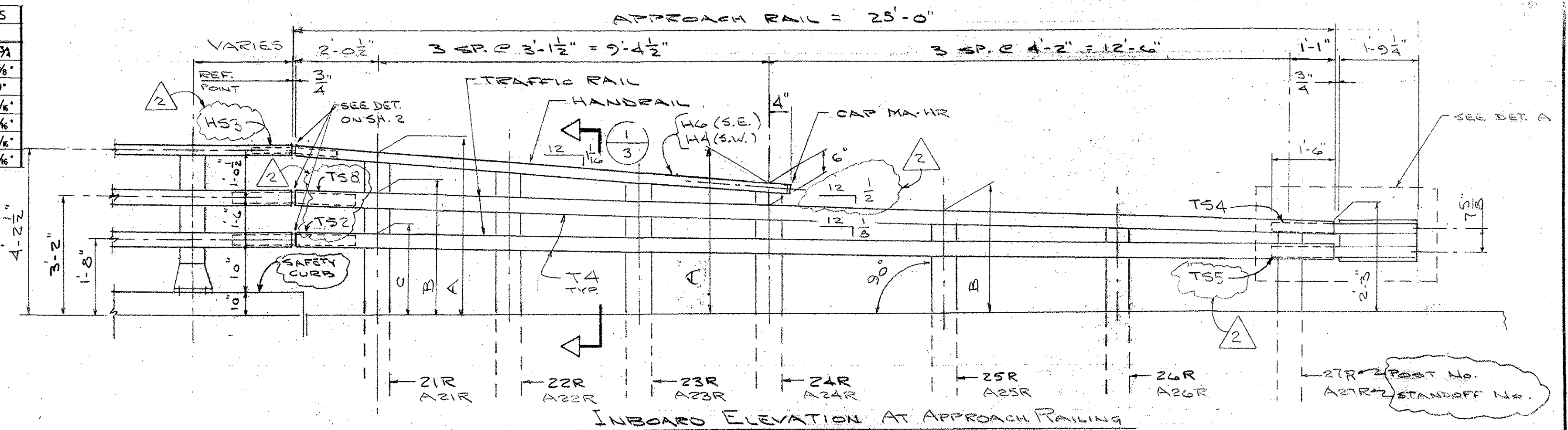
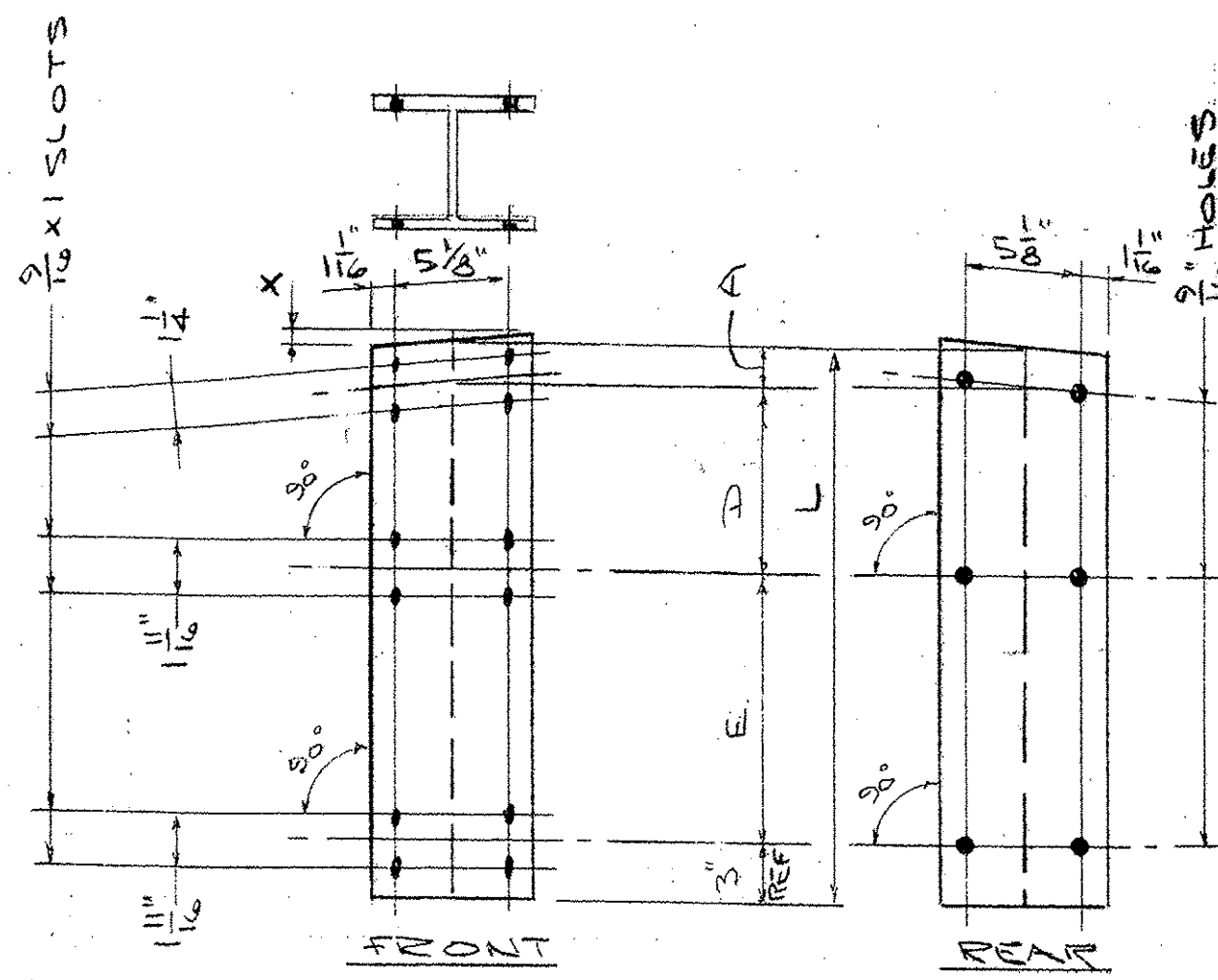


DIM'S TYPICAL AT
APPROACH POSTS
& STANDOFFS
ALLOY 6061-T6(TYP.)

POST NO.	A	B	C
21	4'-1 3/4"	3'-2 3/4"	1'-9 3/4"
22	3'-10 3/4"	3'-1 1/4"	1'-9 3/4"
23	3'-7 1/4"	2'-11 3/4"	1'-9"
24	3'-3 3/4"	2'-9 3/4"	1'-8 1/4"
25	X	2'-7 3/4"	1'-8 3/4"
26	X	2'-5 1/2"	1'-7 3/4"
27	X	2'-3 1/4"	1'-7 3/4"

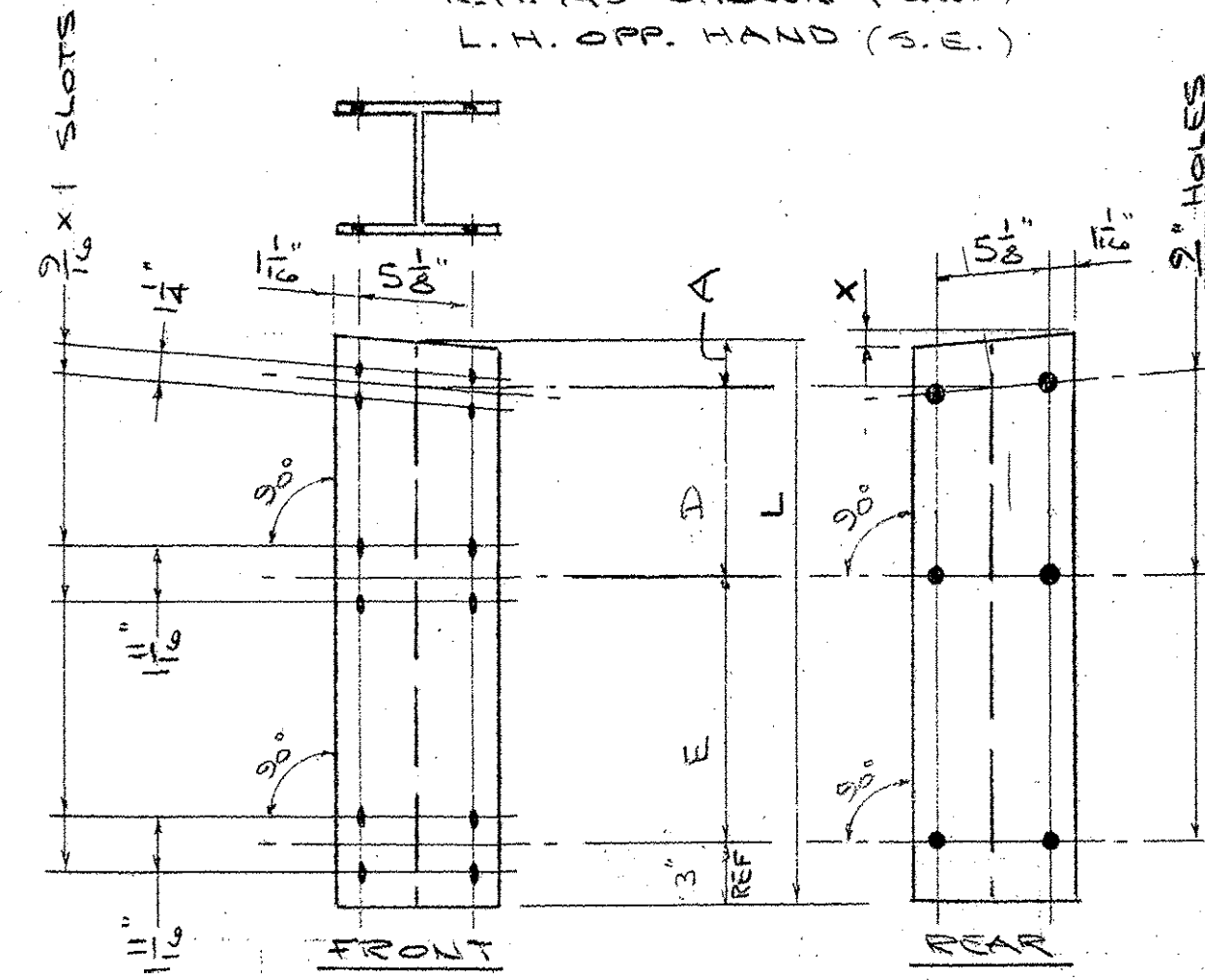


INBOARD ELEVATION AT APPROACH RAILING
R.H. AS SHOWN (S.W.)
L.H. OPP. HAND (S.E.)



STANDOFF

MK	QUAN	L	X	A	D	E
A21L	1	2'-9 1/8"	5/8"	1 1/16"	11 1/16"	1'-5 3/8"
A22L	1	2'-6 3/16"	5/8"	1 1/16"	9 3/4"	1'-3 3/8"
A23L	1	2'-3 1/4"	5/8"	1 1/16"	8 1/8"	1'-2 2/16"
A24L	1	2'-0 1/4"	5/8"	1 1/16"	6 1/16"	1'-1 1/2"
A25L	1	1'-4 3/16"	5/16"	2"	0	11 3/16"
A26L	1	1'-2 13/16"	5/16"	2"	0	9 13/16"
A27L	1	1'-1 1/16"	5/16"	2"	0	8 1/16"



STANDOFF

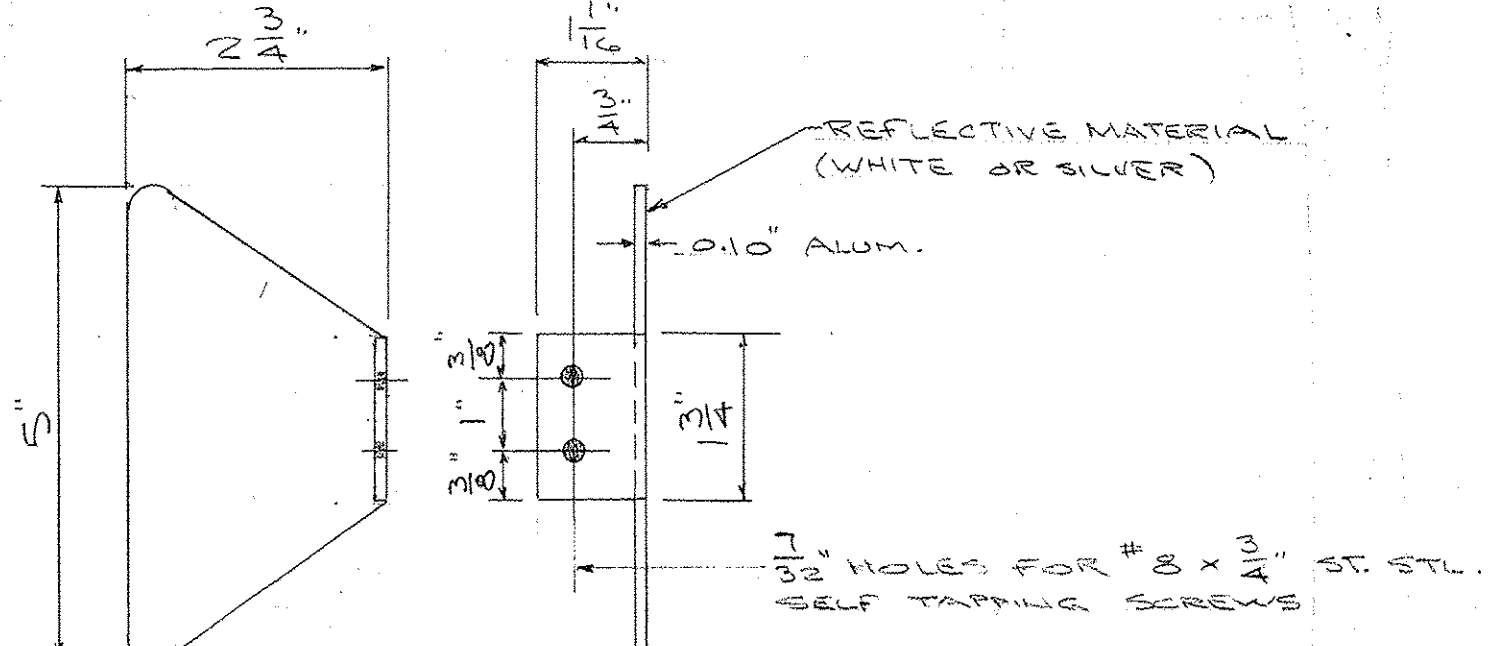
MK	QUAN	L	X	A	D	E
A21R	1	2'-9 1/8"	5/8"	1 1/16"	11 1/16"	1'-5 3/8"
A22R	1	2'-6 3/16"	5/8"	1 1/16"	9 3/4"	1'-3 3/8"
A23R	1	2'-3 1/4"	5/8"	1 1/16"	8 1/8"	1'-2 2/16"
A24R	1	2'-0 1/4"	5/8"	1 1/16"	6 1/16"	1'-1 1/2"
A25R	1	1'-4 3/16"	5/16"	2"	0	11 3/16"
A26R	1	1'-2 13/16"	5/16"	2"	0	9 13/16"
A27R	1	1'-1 1/16"	5/16"	2"	0	8 1/16"

APPROACH POST

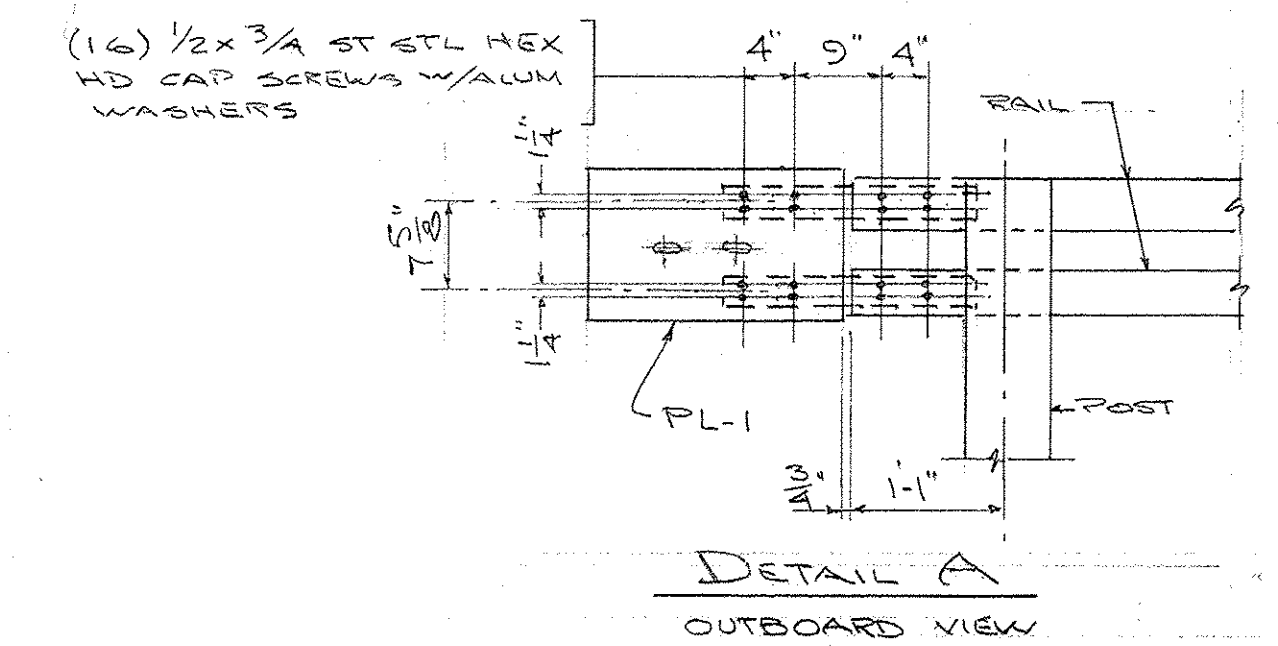
MK	QUAN	L	X	A	D	E
21L	1	6'-6"	5/8"	1 1/16"	11 1/16"	1'-5 3/8"
22L	1	6'-6"	5/8"	1 1/16"	9 3/4"	1'-3 3/8"
23L	1	6'-6"	5/8"	1 1/16"	8 1/8"	1'-2 2/16"
24L	1	6'-6"	5/8"	1 1/16"	6 1/16"	1'-1 1/2"
25L	1	6'-0"	5/16"	2"	0	11 3/16"
26L	1	6'-0"	5/16"	2"	0	9 13/16"
27L	1	6'-0"	5/16"	2"	0	8 1/16"

APPROACH POST

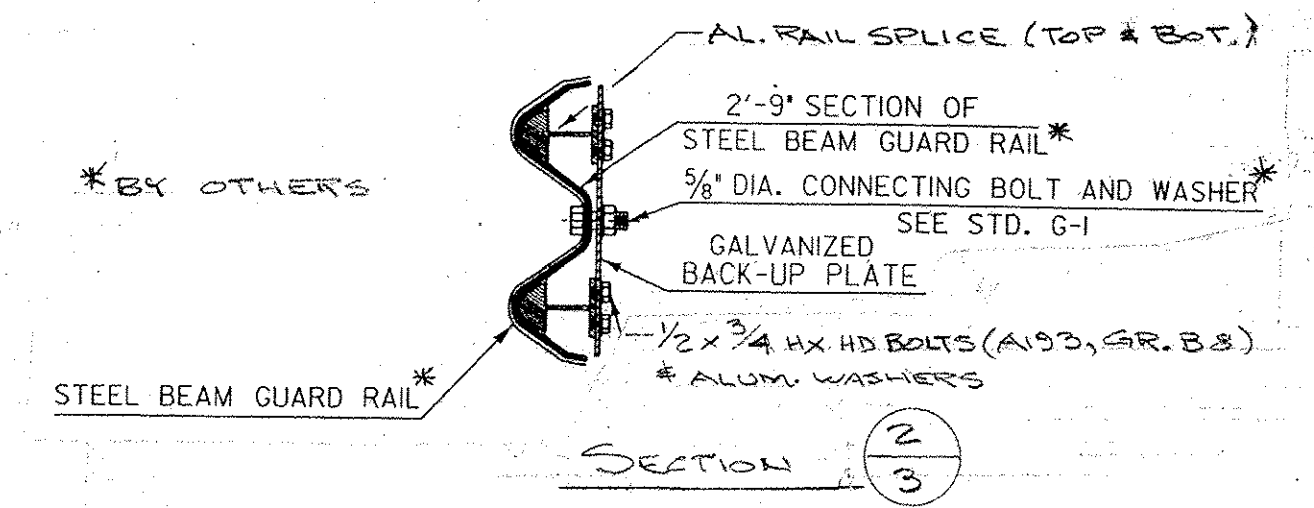
MK	QUAN	L	X	A	D	E
21R	1	6'-6"	5/8"	1 1/16"	11 1/16"	1'-5 3/8"
22R	1	6'-6"	5/8"	1 1/16"	9 3/4"	1'-3 3/8"
23R	1	6'-6"	5/8"	1 1/16"	8 1/8"	1'-2 2/16"
24R	1	6'-6"	5/8"	1 1/16"	6 1/16"	1'-1 1/2"
25R	1	6'-0"	5/16"	2"	0	11 3/16"
26R	1	6'-0"	5/16"	2"	0	9 13/16"
27R	1	6'-0"	5/16"	2"	0	8 1/16"



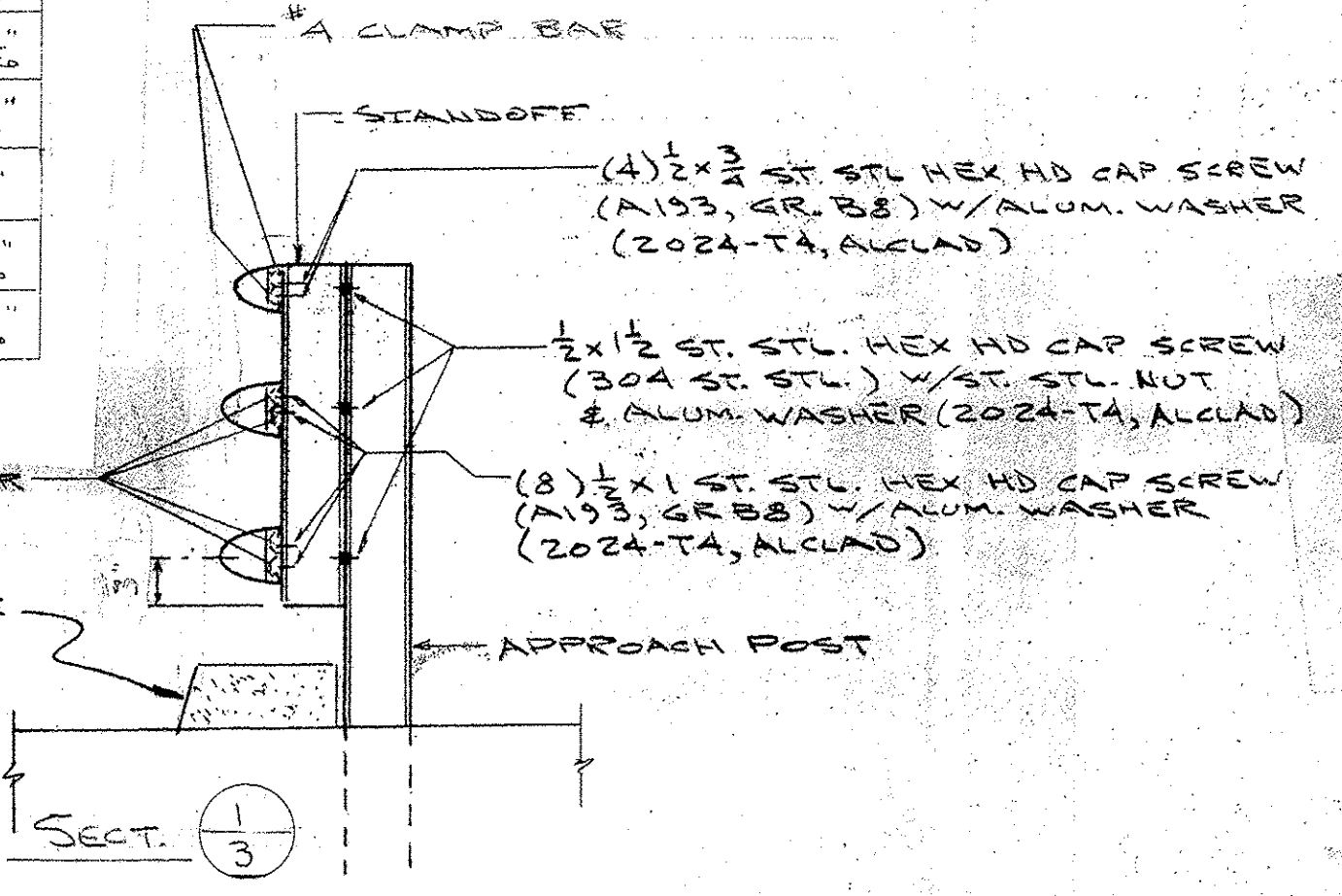
POST REFLECTOR (4-READ)
MATERIALS PER V.A.T. SPEC.



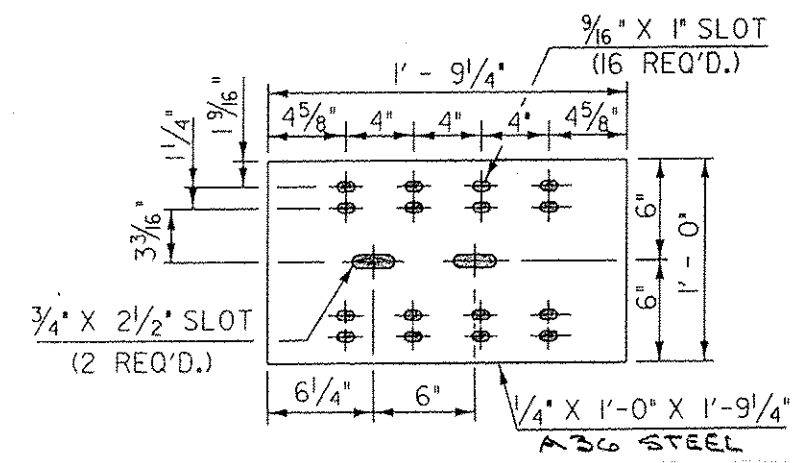
DETAIL A
OUTBOARD VIEW



SECTION 2



SECT. 3



(3) PLATE PL-1

RECEIVED CHKD BY: <i>WCS</i> OK'D BY: <i>MM</i> JUN 13 2009 RESUBMITTED APPROVED <input checked="" type="checkbox"/> BY: DATE 6-16-09		AUCIELLO IRON WORKS INC 560 MAIN ST. HUDSON, MA (978) 568-8382 VT. AGENCY OF TRANSPORTATION WILLIAMSTOWN #BRS 0204(4) ROUTE 64 OVER BROOK	
AL APPROACH RAIL AT SAFETY CURB		SURFACE PREP: NONE FINISH: MILL FINISH	
FOR: F.R. LAFAYETTE, INC.		DR: WM 01-19-09 DWG. NO.	
CHK: <i>APP</i> 1-22-09		JOB NO. BR-2950	
ISSUE DATE DESCRIPTION		BY	
2	4-30-09	FOR APPROVAL	BY
1	1-28-09	FOR APPROVAL	BY
JOB NO. AB79005-1001		SHEET 3 OF 8	