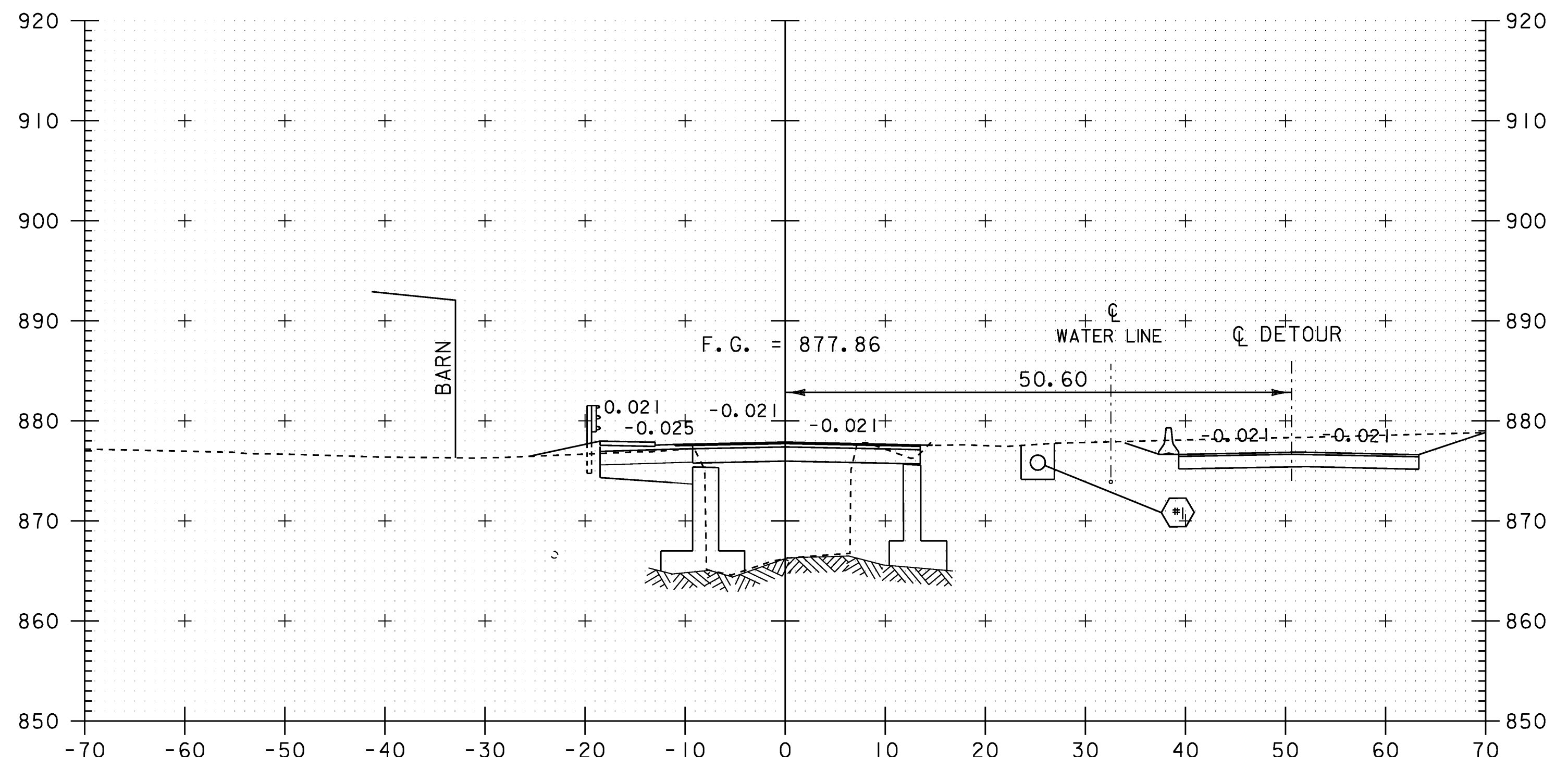
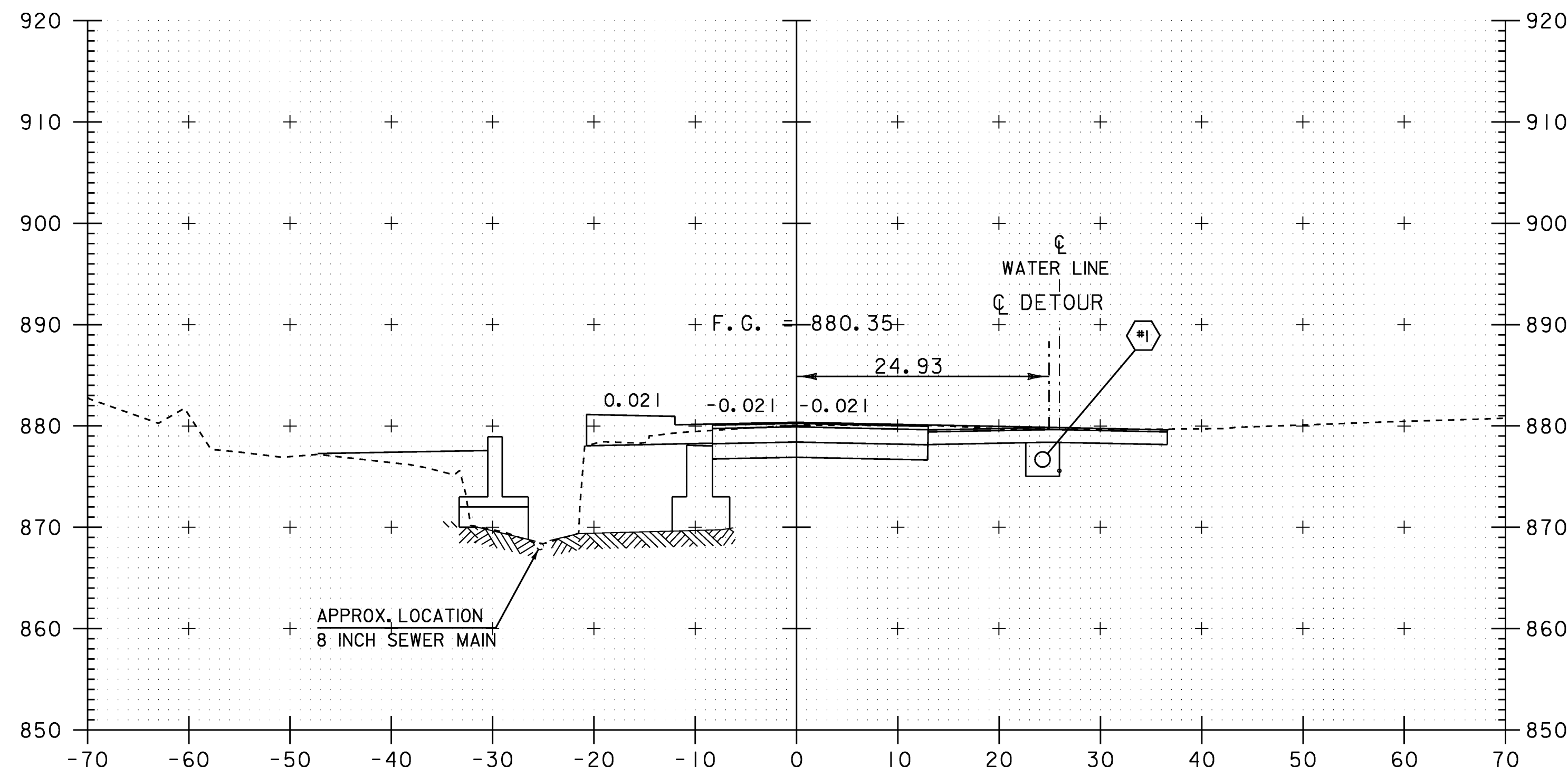


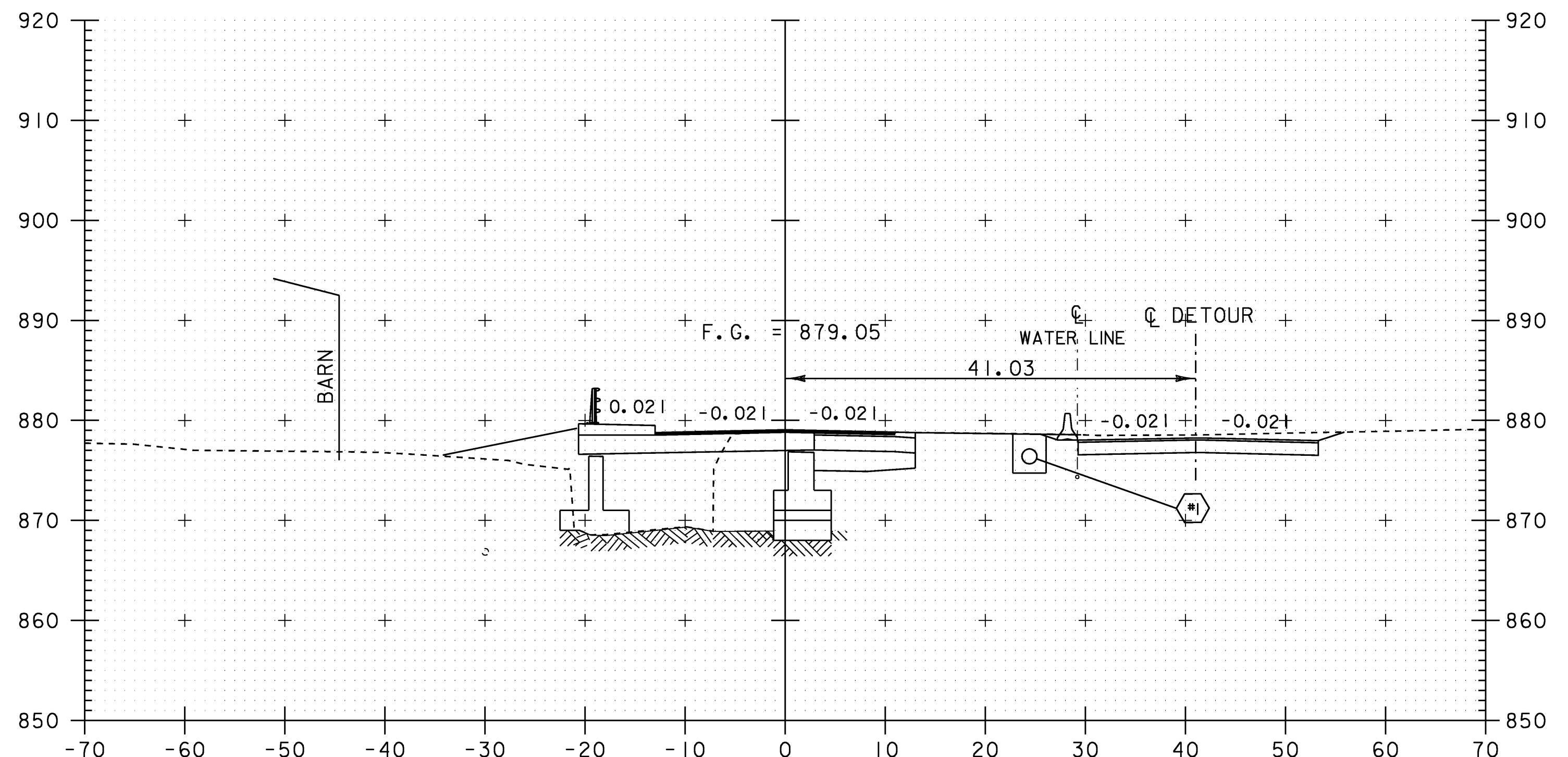
218+97
BEGIN BRIDGE



219+20



218+80



219+00

ROADWAY CROSS SECTIONS

PROJECT NAME:	WILLIAMSTOWN	PLOT DATE:	07-APR-2008
PROJECT NUMBER:	BRS 0204(4)	DRAWN BY:	G.ROKES
FILE NAME:	83ell\Sr+uc+sellxs.dgn	DESIGNED BY:	U. STANLEY
		CHECKED BY:	EVANS-MONGEON
IPARM:	sellxs7.1		SHEET 78 OF 108

