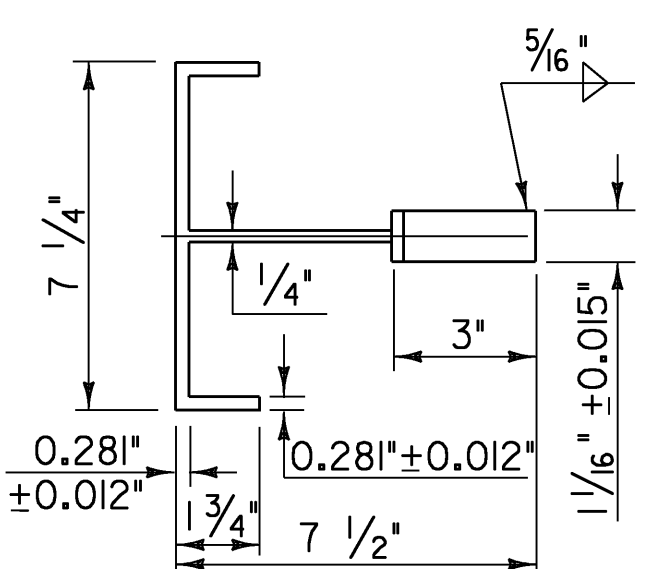
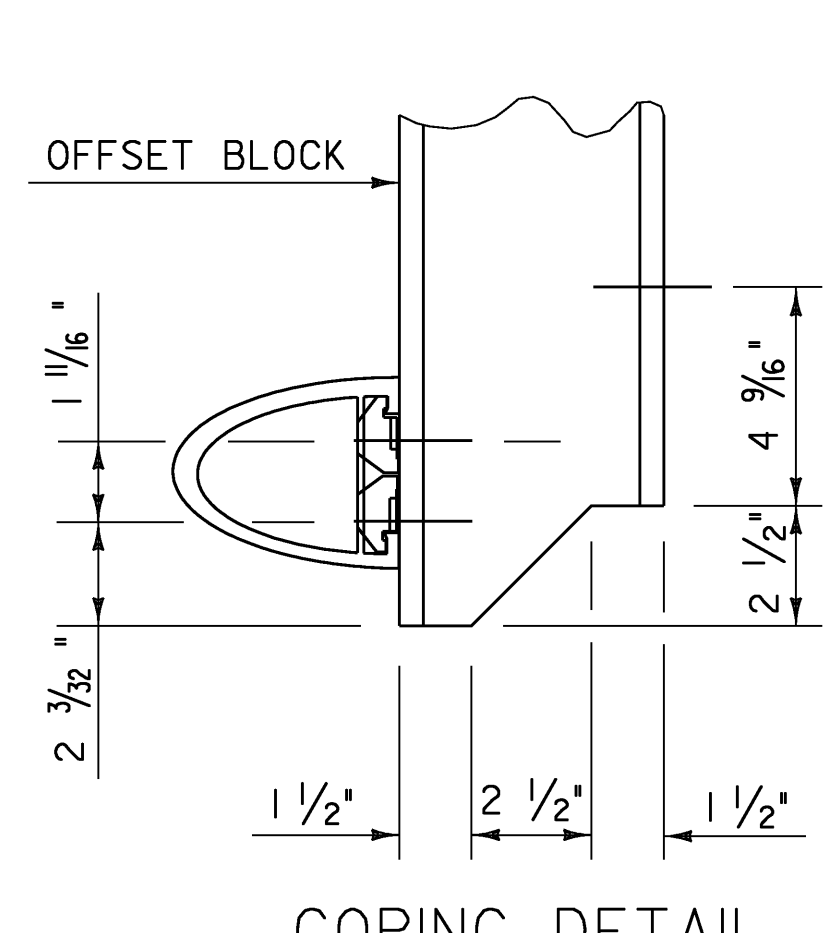


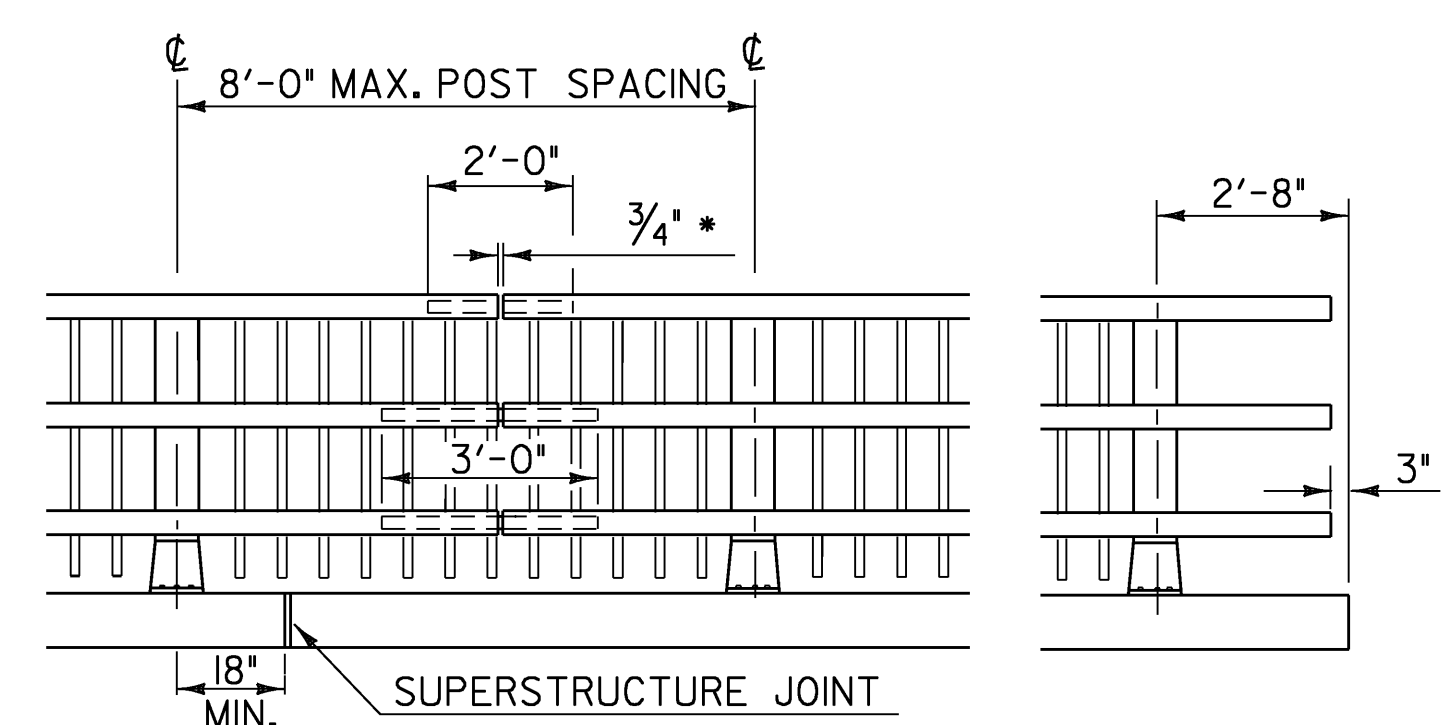
POST SIDE VIEW



POST PLAN VIEW

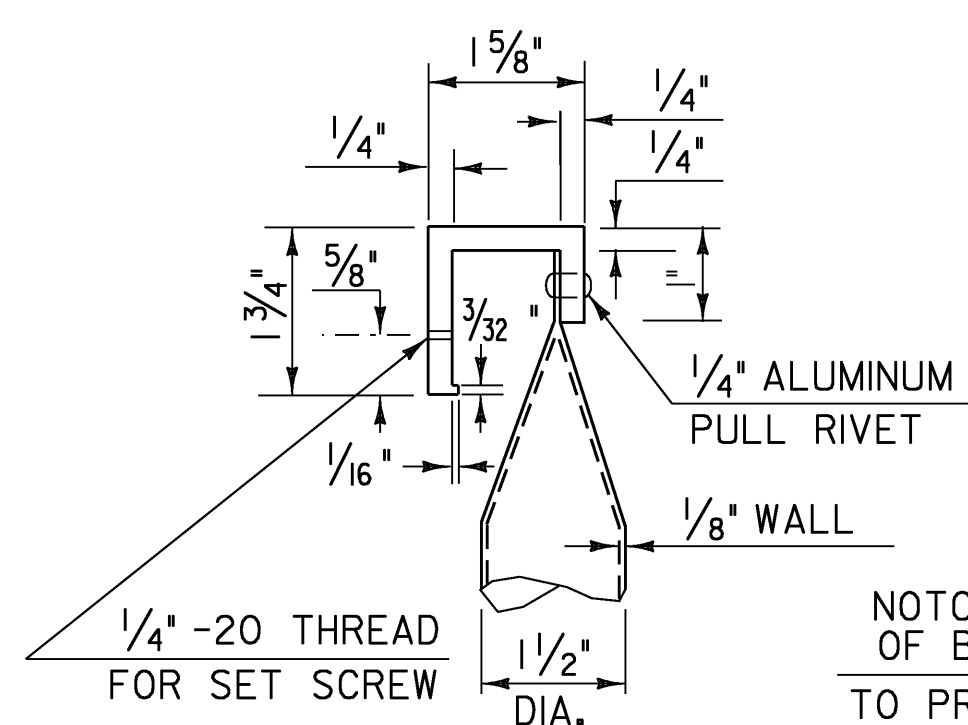


COPING DETAIL

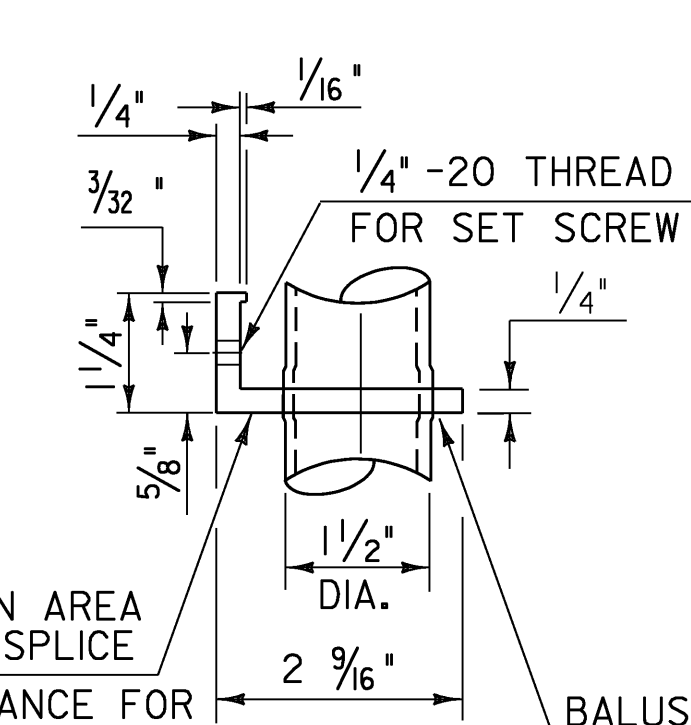


FRONT ELEVATION OF THREE RAIL WITH SPINDLES

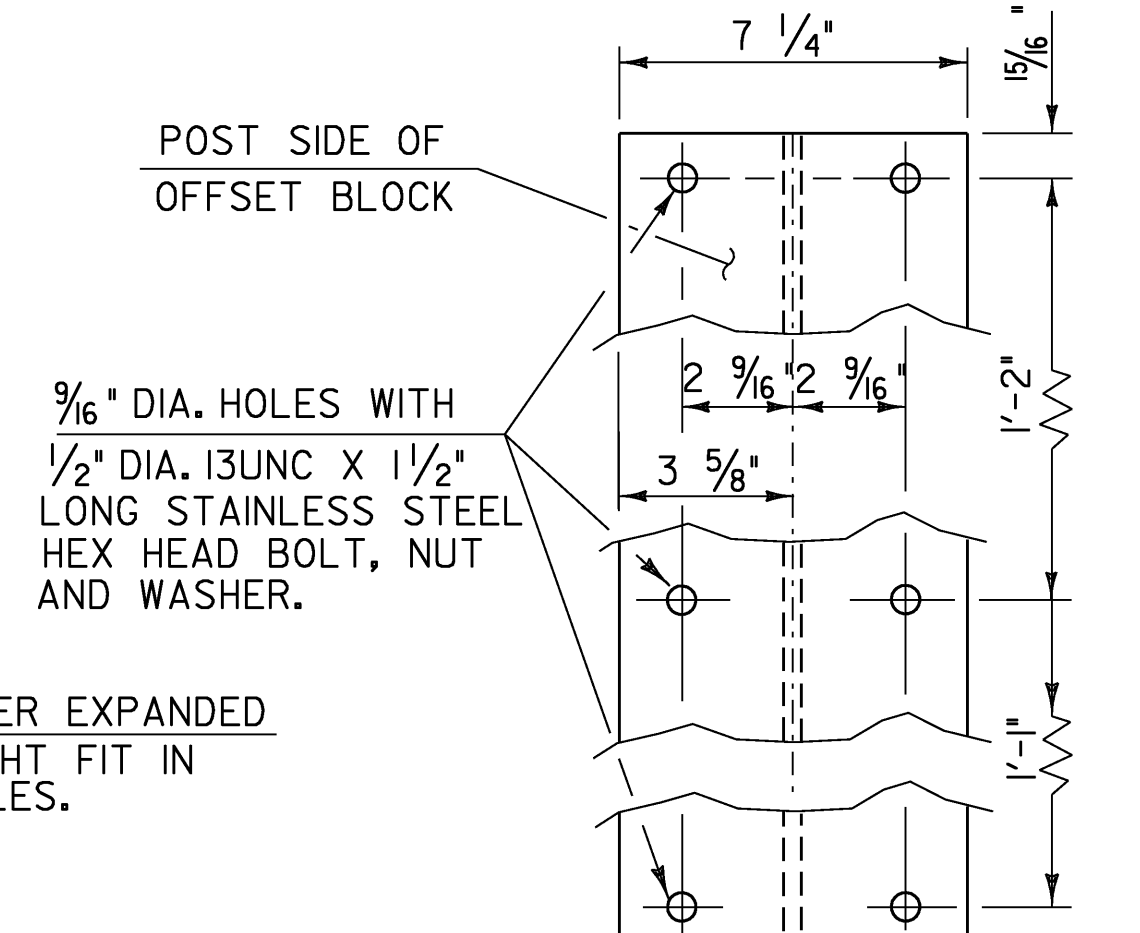
NOTE : RAIL POSTS ARE TO BE SET NORMAL TO GRADE UNLESS OTHERWISE DESIGNATED ON BRIDGE PLANS. ALL DIMENSIONS ARE TYPICAL UNLESS OTHERWISE DESIGNATED ON BRIDGE PLANS.



DETAIL A



DETAIL B



OFFSET BLOCK CONNECTION

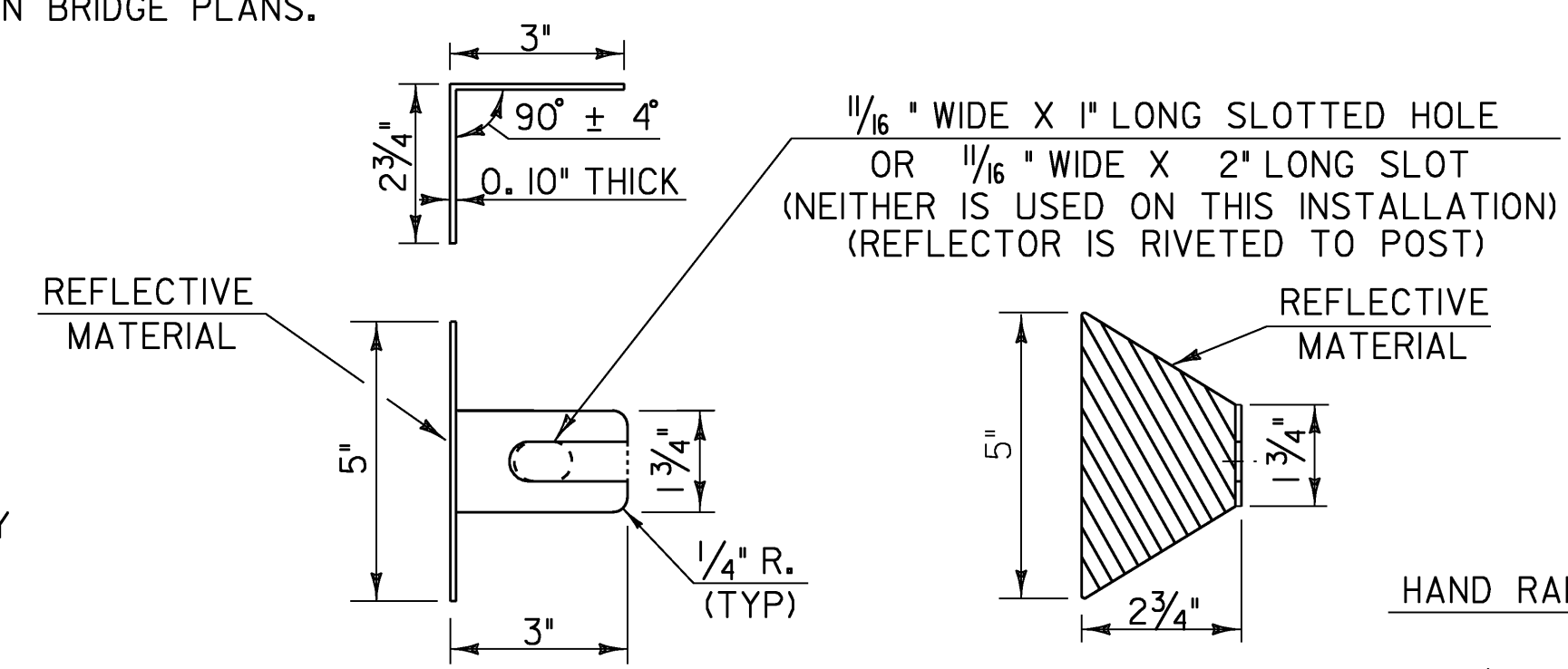
REFLECTORS TO BE ERECTED EVERY 30 FEET (OR CLOSEST POST) WITH 2 NO. 8 X 3/4 SELF-TAPPING SCREWS.

REFLECTORS SHALL MEET SPECIFICATION REQUIREMENTS FOR ASTM B209 ALLOY 5052-H32.

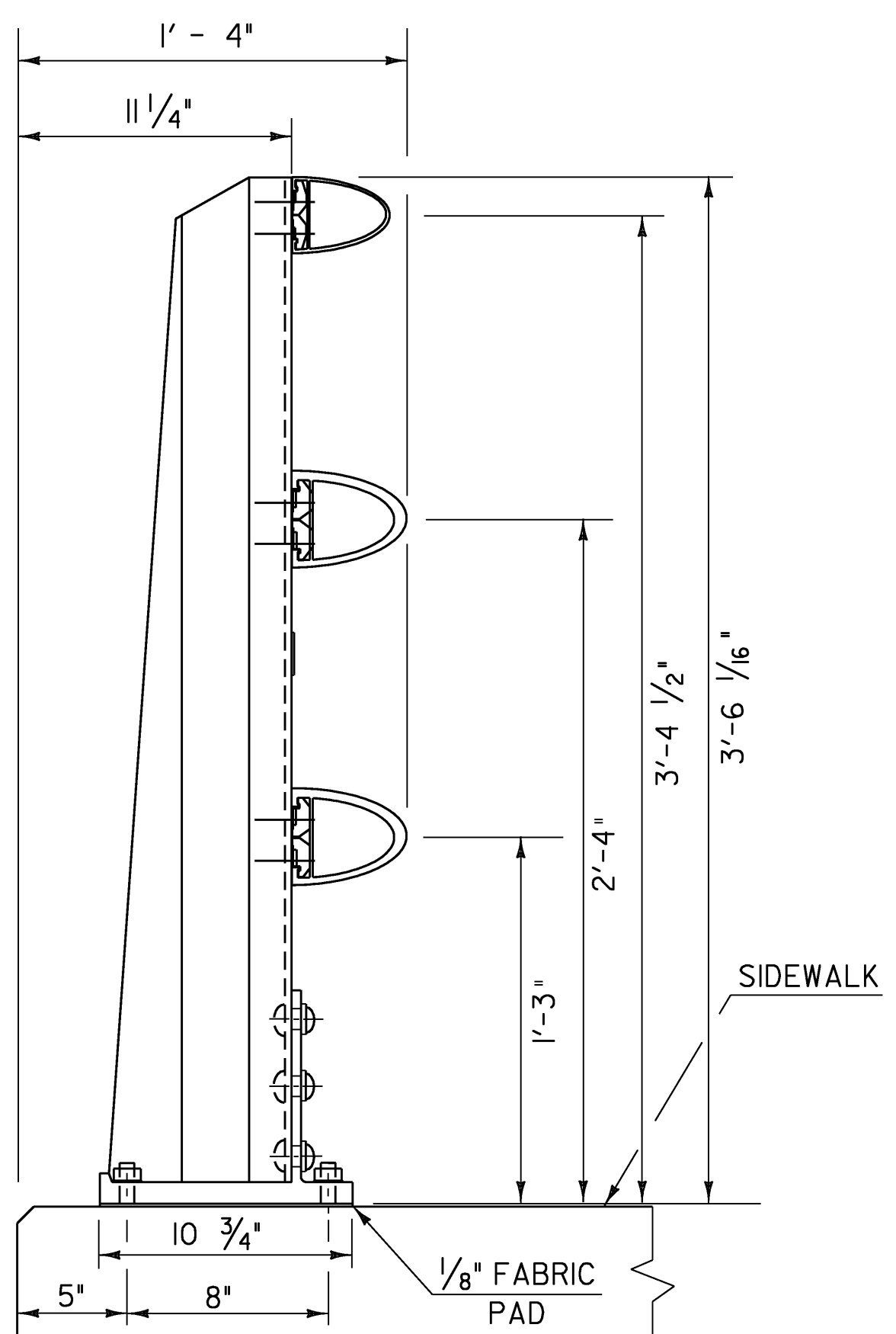
REFLECTIVE MATERIAL SHALL MEET THE REQUIREMENTS OF SUBSECTION 750.08 AND SHALL BE OF ASTM TYPE III SHEETING SILVER OR AMBER. AMBER IS TO BE INSTALLED ON THE DRIVER'S LEFT AND SILVER ON THEIR RIGHT.

ON BRIDGES WITH A SIDEWALK, REFLECTORS ARE NOT TO BE INSTALLED ON THE SIDEWALK SIDE OF THE BRIDGE (I.E. REFLECTORS INSTALLED ONLY ON THE CURB SIDE AND ON THE APPROACH RAIL ON THE CURB SIDE)

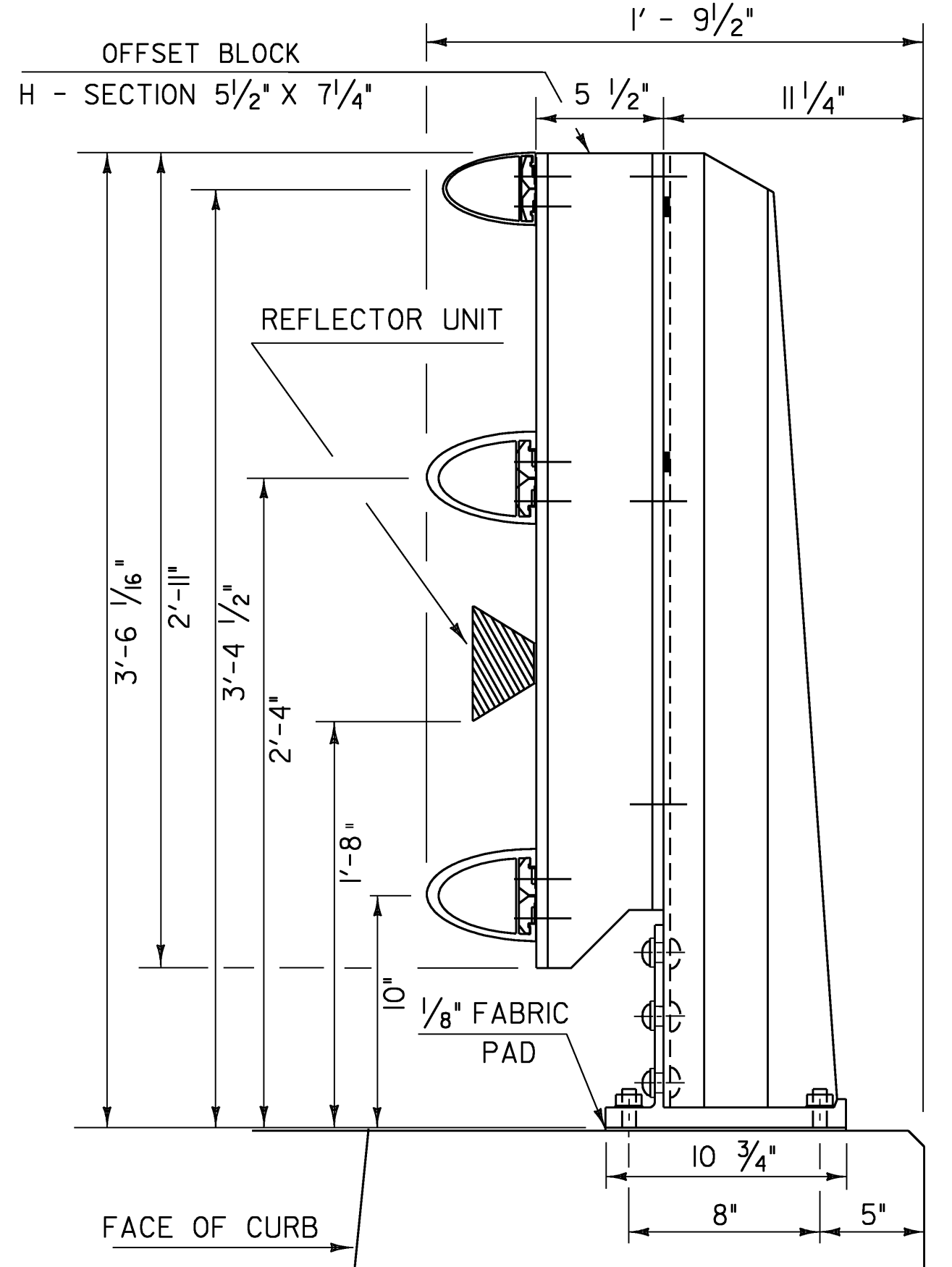
PAYMENT SHALL BE INCIDENTAL TO ALL OTHER ITEMS.



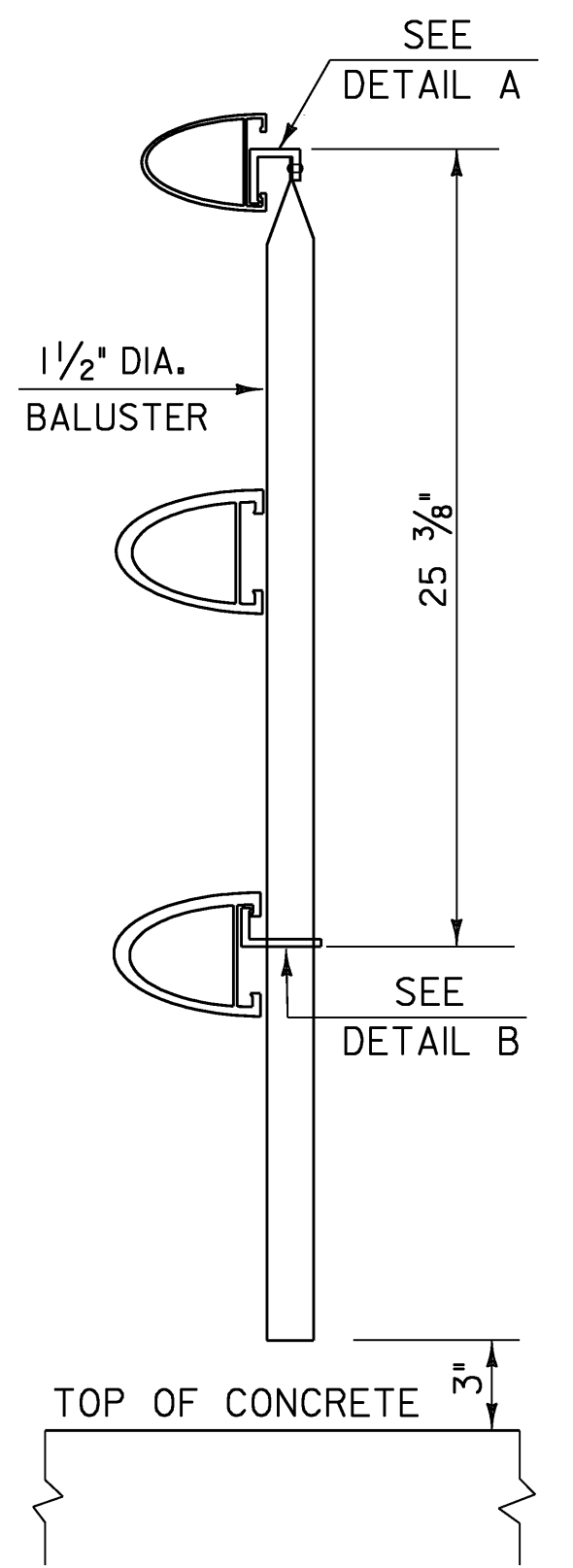
REFLECTOR DETAILS



SIDE ELEVATION OF THREE RAIL TO BE USED ON SIDEWALK SIDE

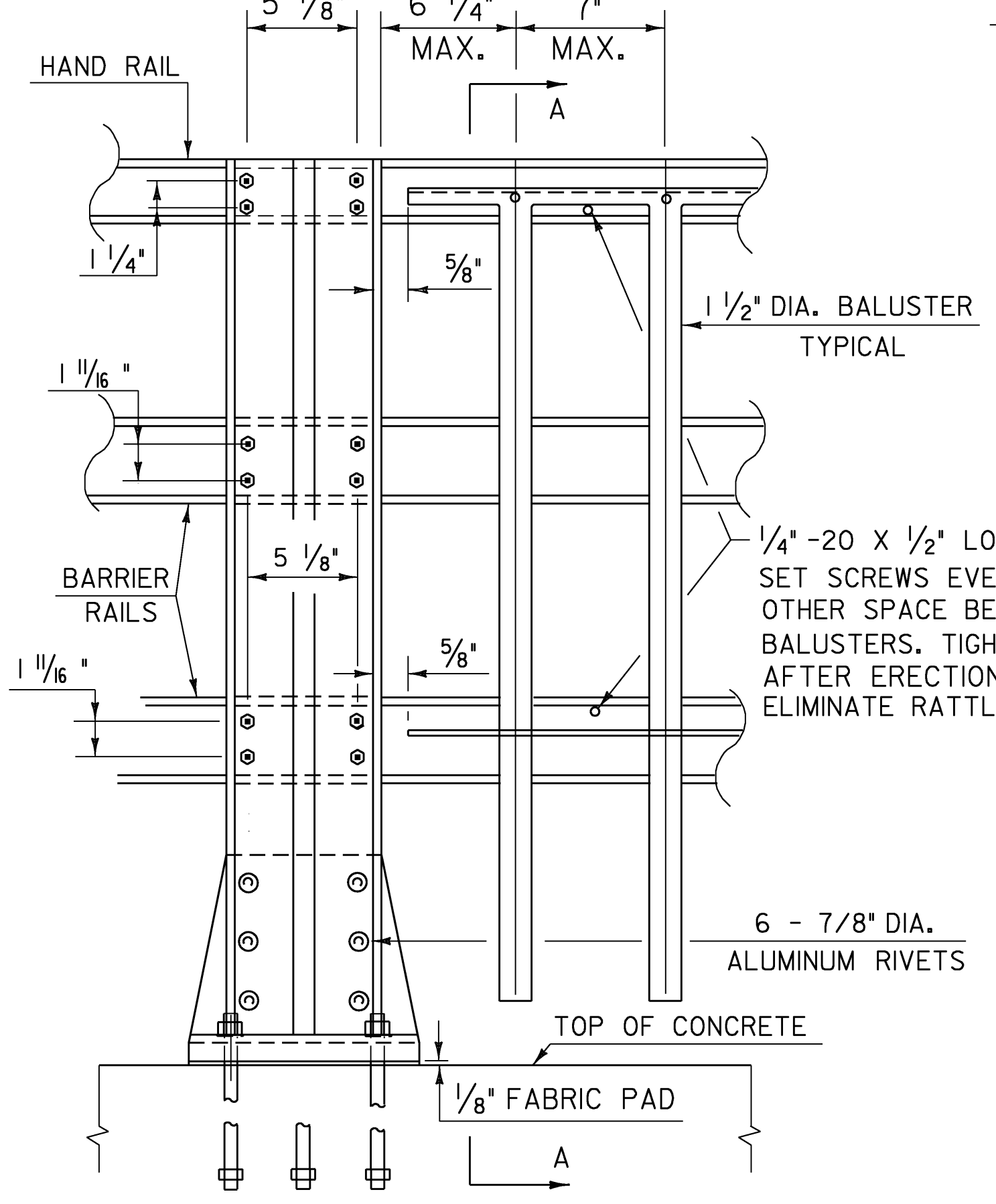


SIDE ELEVATION OF THREE RAIL TO BE USED ON CURB SIDE

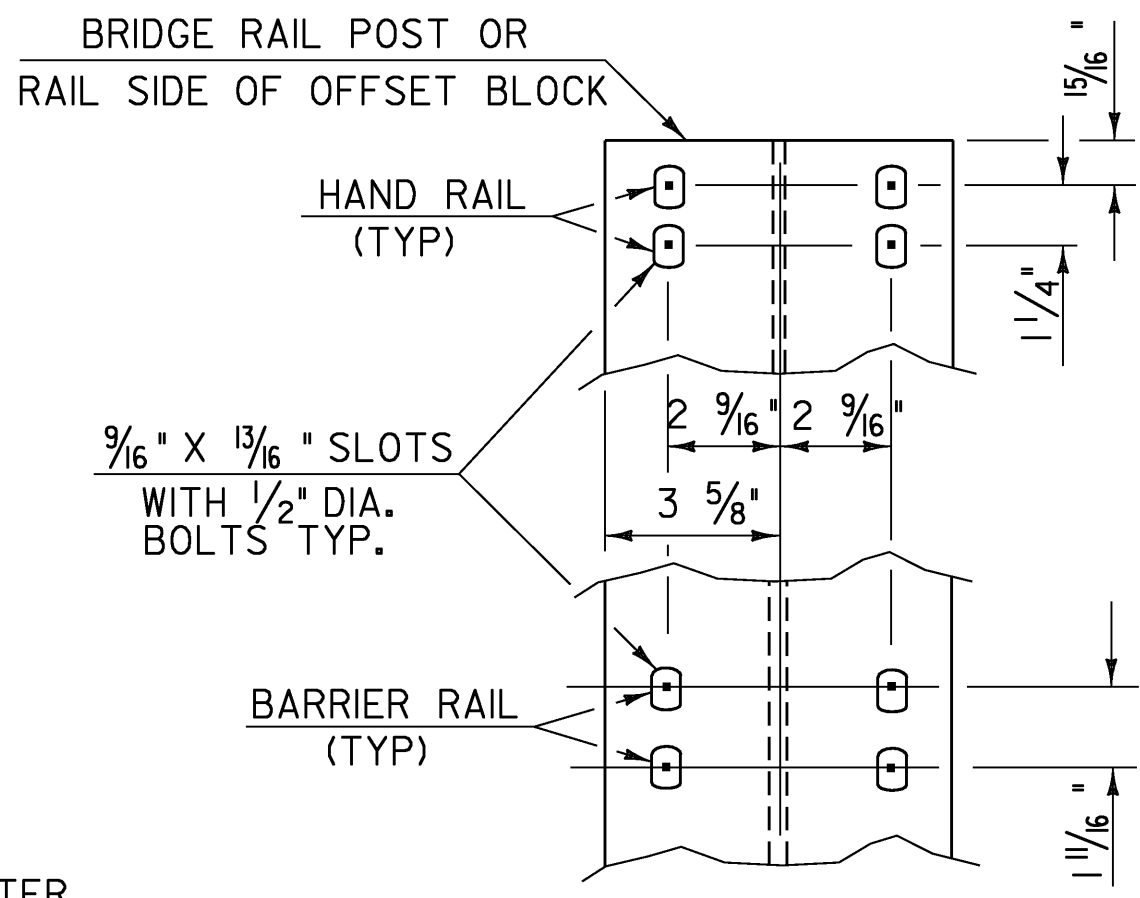


SECTION AA

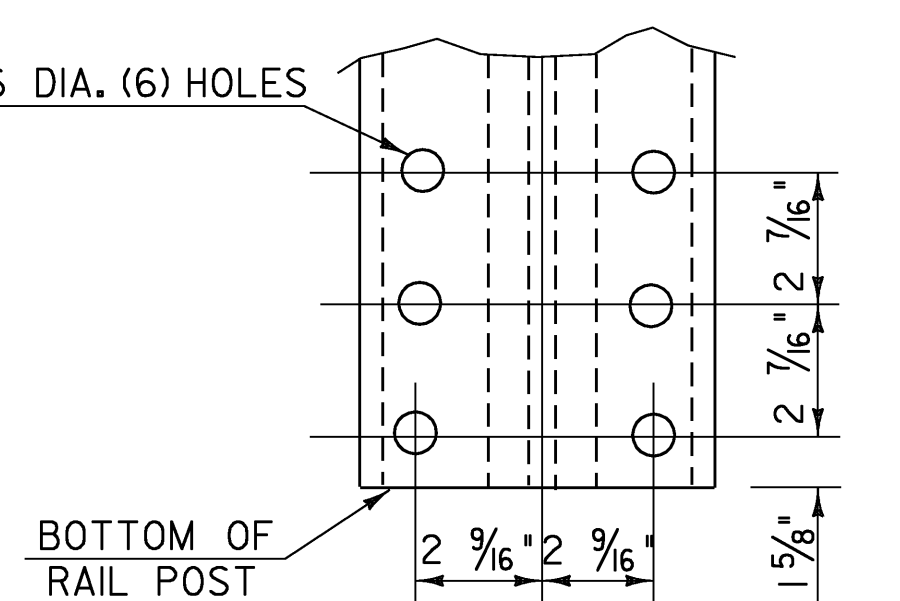
DETAILS OF SPINDLES FOR ALUMINUM RAILING



OUTSIDE ELEVATION OF THREE RAIL POST & SPINDLES



RAIL CONNECTION



POST BASE BOLT HOLE DETAILS

ALL DRAWINGS NTS

BRIDGE RAIL DETAIL SHEET 1	
PROJECT NAME: WILLIAMSTOWN	PLOT DATE: 07-APR-2008
PROJECT NUMBER: BRS 0204(4)	DRAWN BY: U. STANLEY
FILE NAME: sellbrldger.dgn	CHECKED BY: EVANS-MONGEON
PROJECT LEADER: M. EVANS-MONGEON	SHEET 67 OF 108
DESIGNED BY: U. STANLEY	
IPARM s83@llr.atl2	

* NOTE : SPINDLES SHALL BE PROVIDED ON THE SIDEWALK SIDE OF THE BRIDGE, ONLY.

RAIL POST DETAILS ON SUPERSTRUCTURE