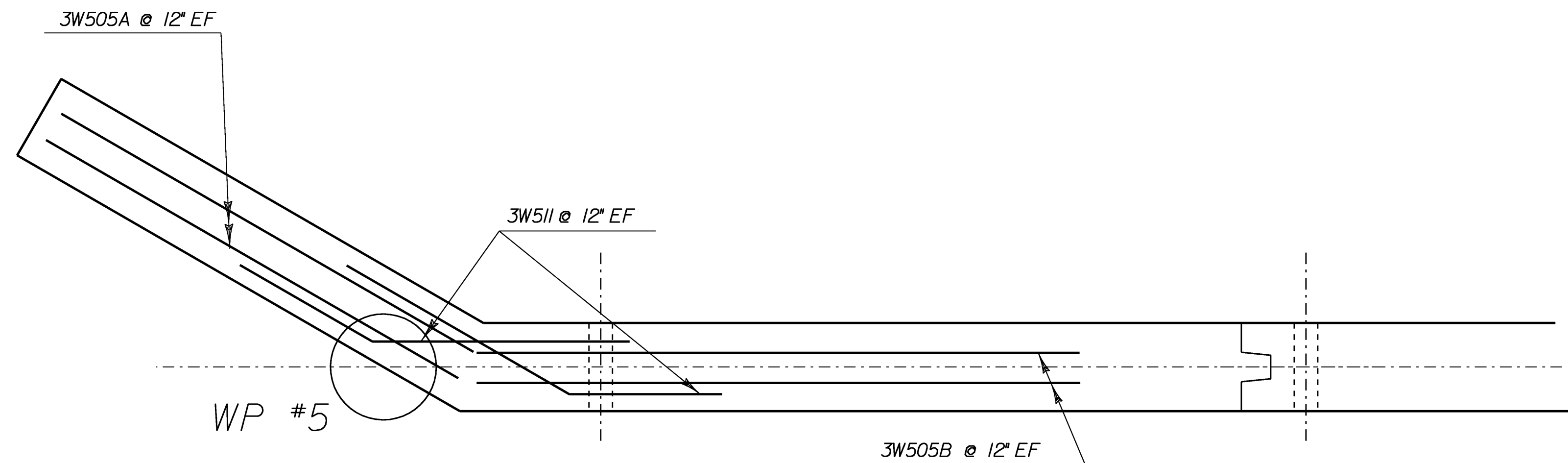


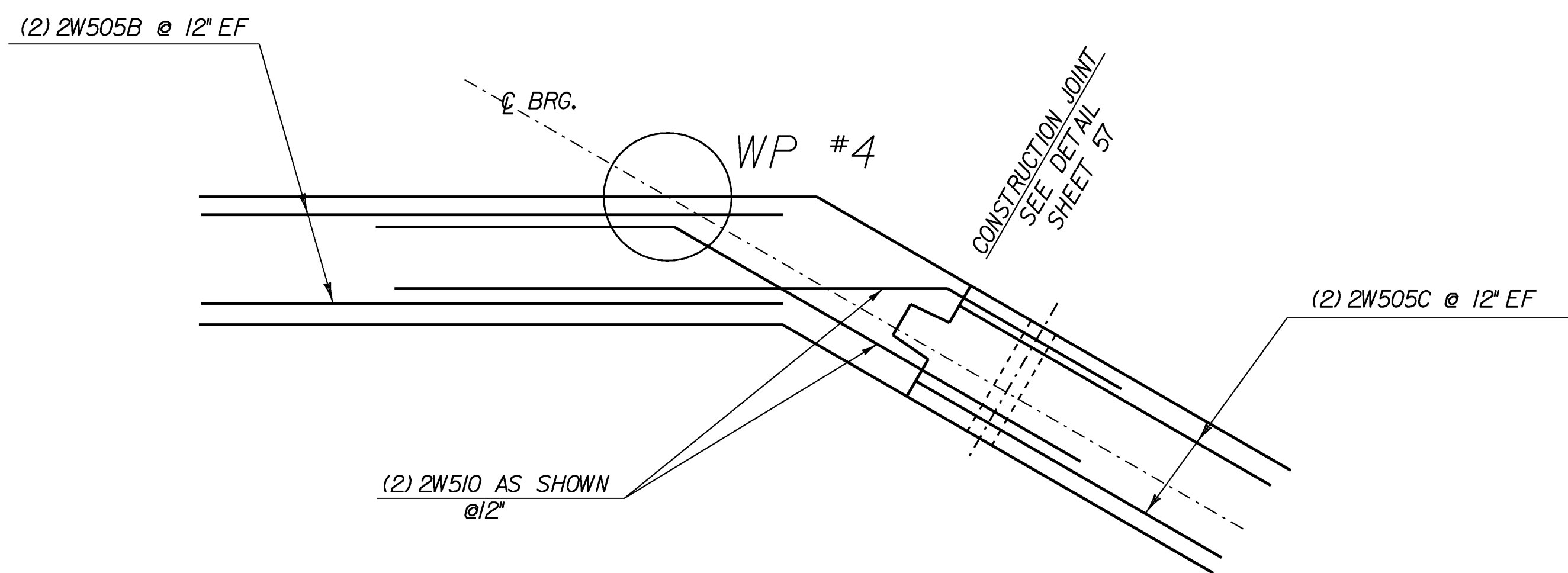
CORNER DETAIL
ABUTMENT #1 AND WINGWALL #1

SCALE 3/4" = 1'-0"



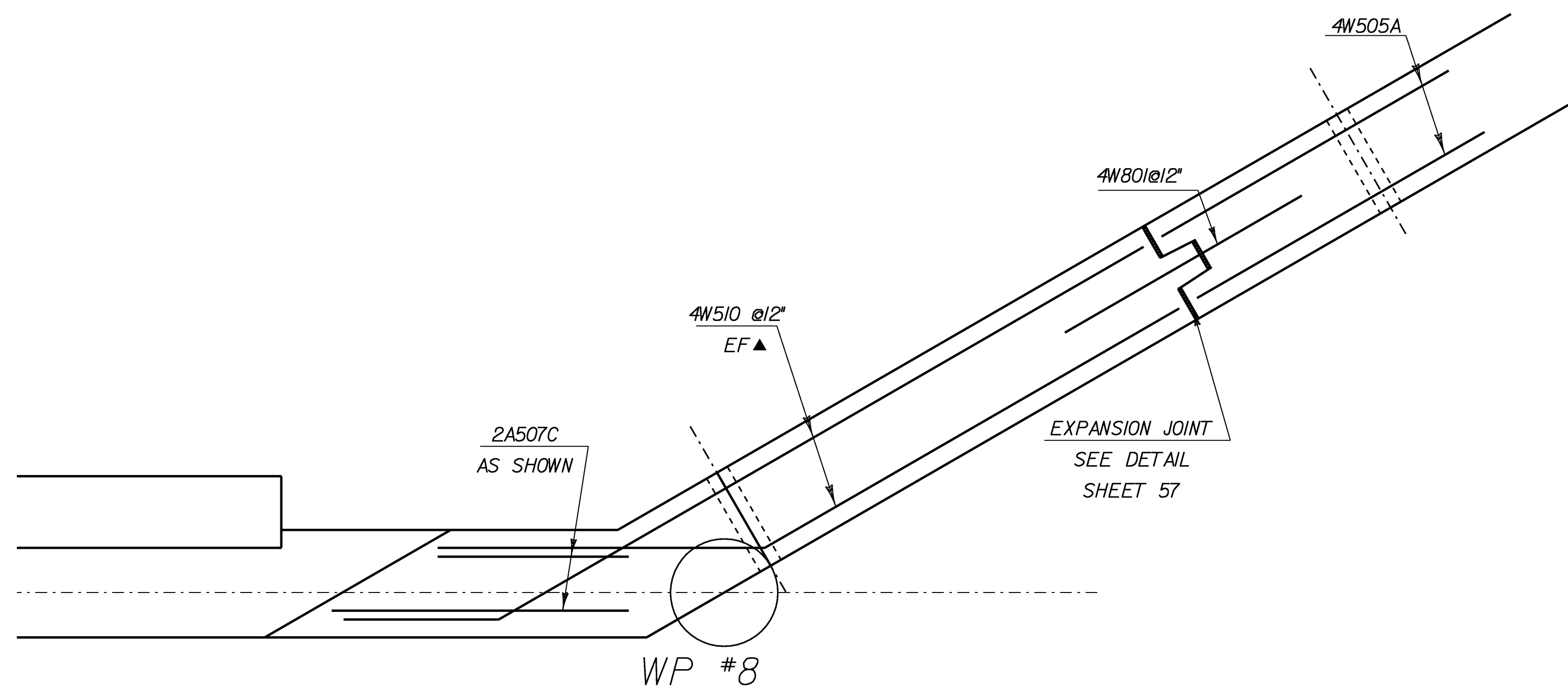
CORNER DETAIL
WINGWALL #3

SCALE 3/4" = 1'-0"



CORNER DETAIL
WINGWALL #2

SCALE 3/4" = 1'-0"



CORNER DETAIL
ABUTMENT #2 AND WINGWALL #4

SCALE 3/4" = 1'-0"

NOTE:

NF = NEAR FACE
FF = FAR FACE
EF = EACH FACE
= CUT TO FIT IN FIELD
3" CLR. UNLESS OTHERWISE
SPECIFIED ON THE PLANS.

CORNER REINFORCING DETAILS

PROJECT NAME: WILLIAMSTOWN	PLOT DATE: 07-APR-2008
PROJECT NUMBER: BRS 0204(4)	DRAWN BY: G.ROKES
FILE NAME: 83e111\str_sellabut1.dg	DESIGNED BY: M.EVANS-MONGEON
DESIGNED BY: M.EVANS-MONGEON	CHECKED BY: U.STANLEY
IPARM sellsub13.1	SHEET 65 OF 108