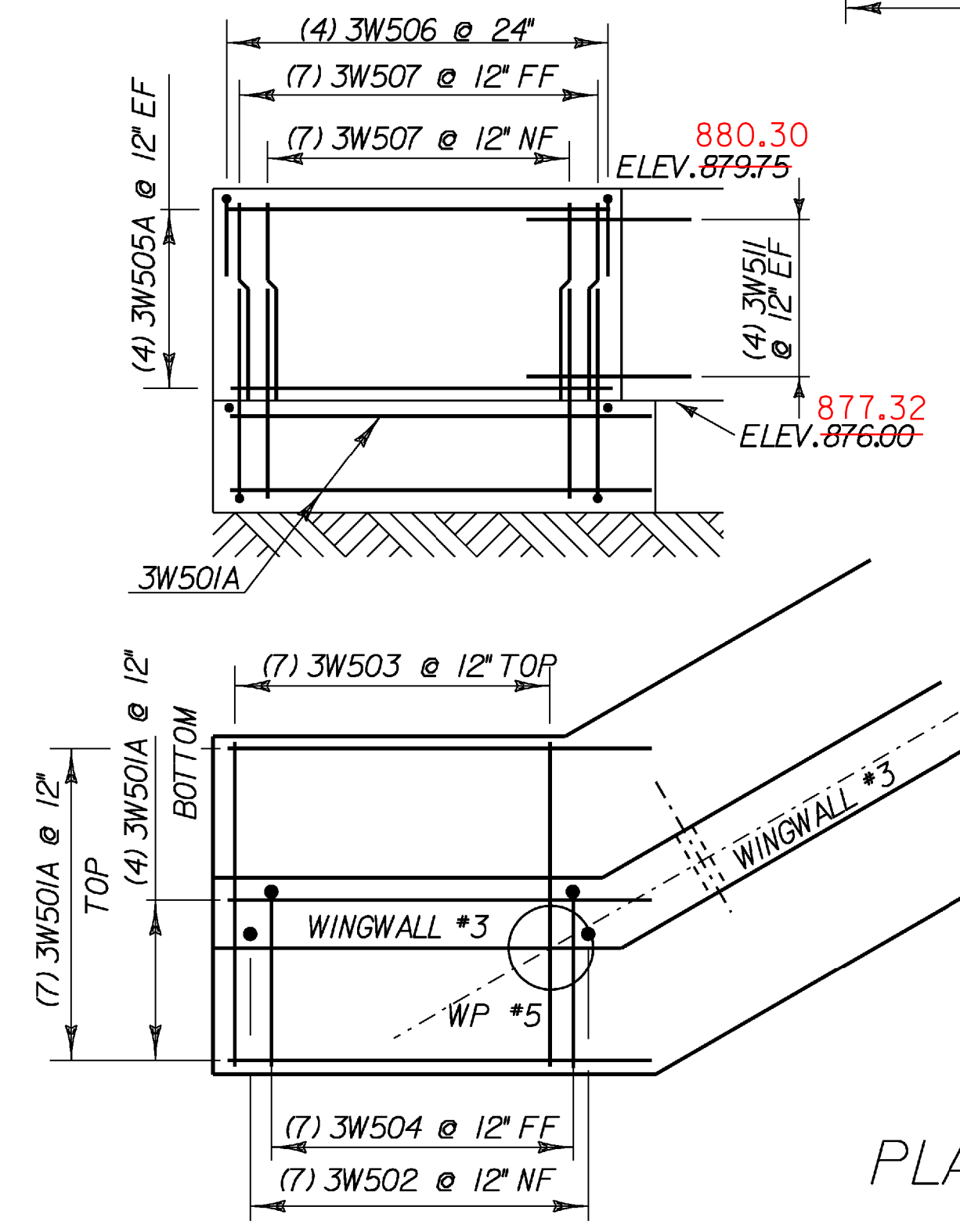


PLAN

ELEVATION



PLAN

WINGWALL #3
SCALE 3/8" = 1'-0"
1 0 1 2 3 4

NOTE:

- NF = NEAR FACE
- FF = FAR FACE
- EF = EACH FACE
- ▲ = CUT TO FIT IN FIELD
- 3" CLR. UNLESS OTHERWISE SPECIFIED ON THE PLANS.

WINGWALL #3 REINFORCING

PROJECT NAME:	WILLIAMSTOWN	FILE NAME:	83ell\str\sellabut2.dgn	PLOT DATE:	07-APR-2008
PROJECT NUMBER:	BRS 0204(4)	DESIGNED BY:	M.EVANS-MONGEON	DRAWN BY:	EVANS-MONGEON
		IPARM	sellsubl1	CHECKED BY:	U. STANLEY
				SHEET	63 OF 108