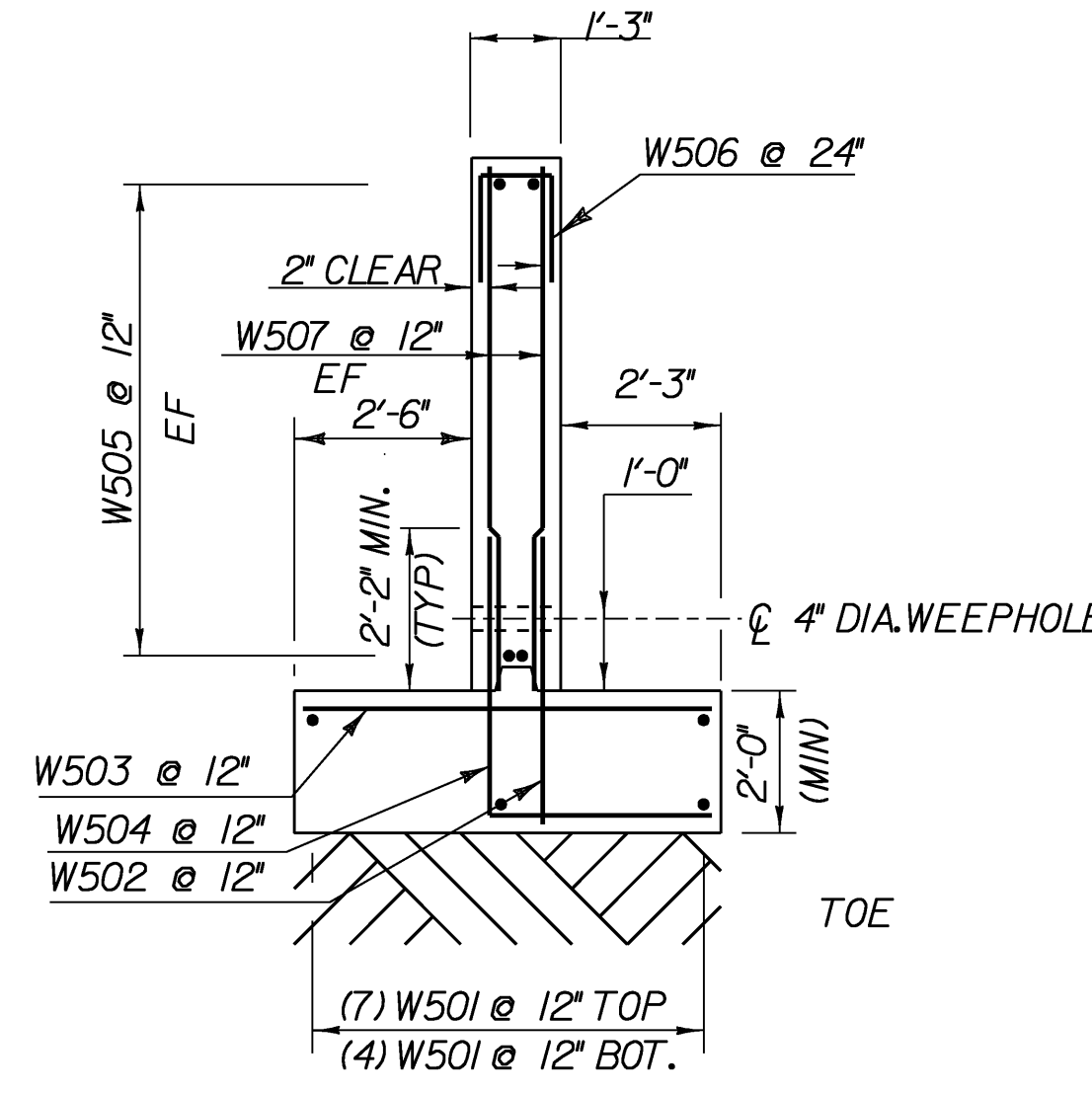
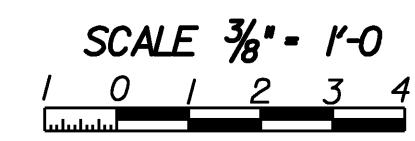
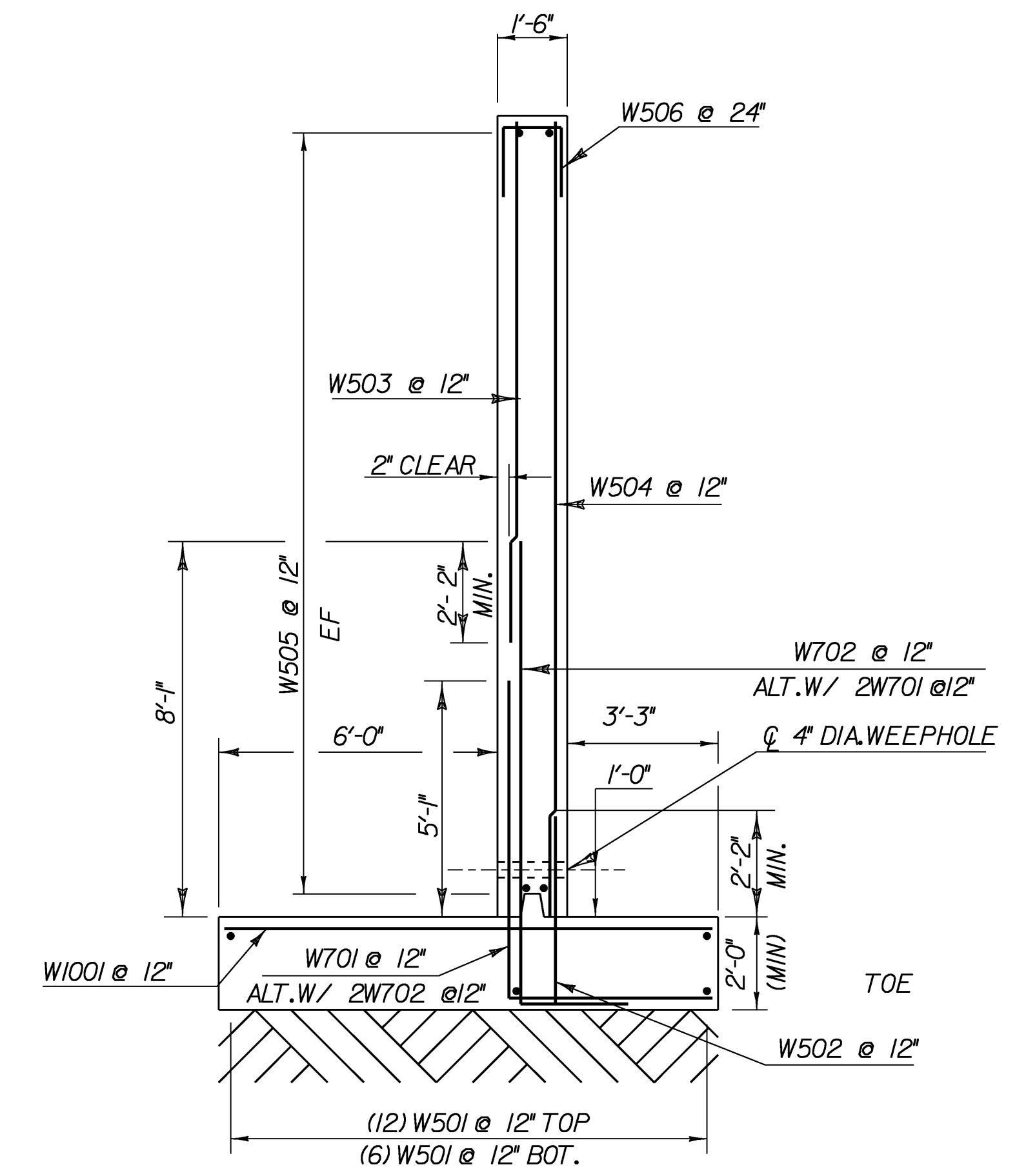
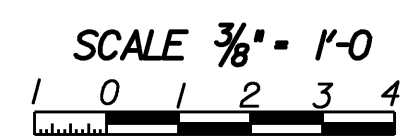


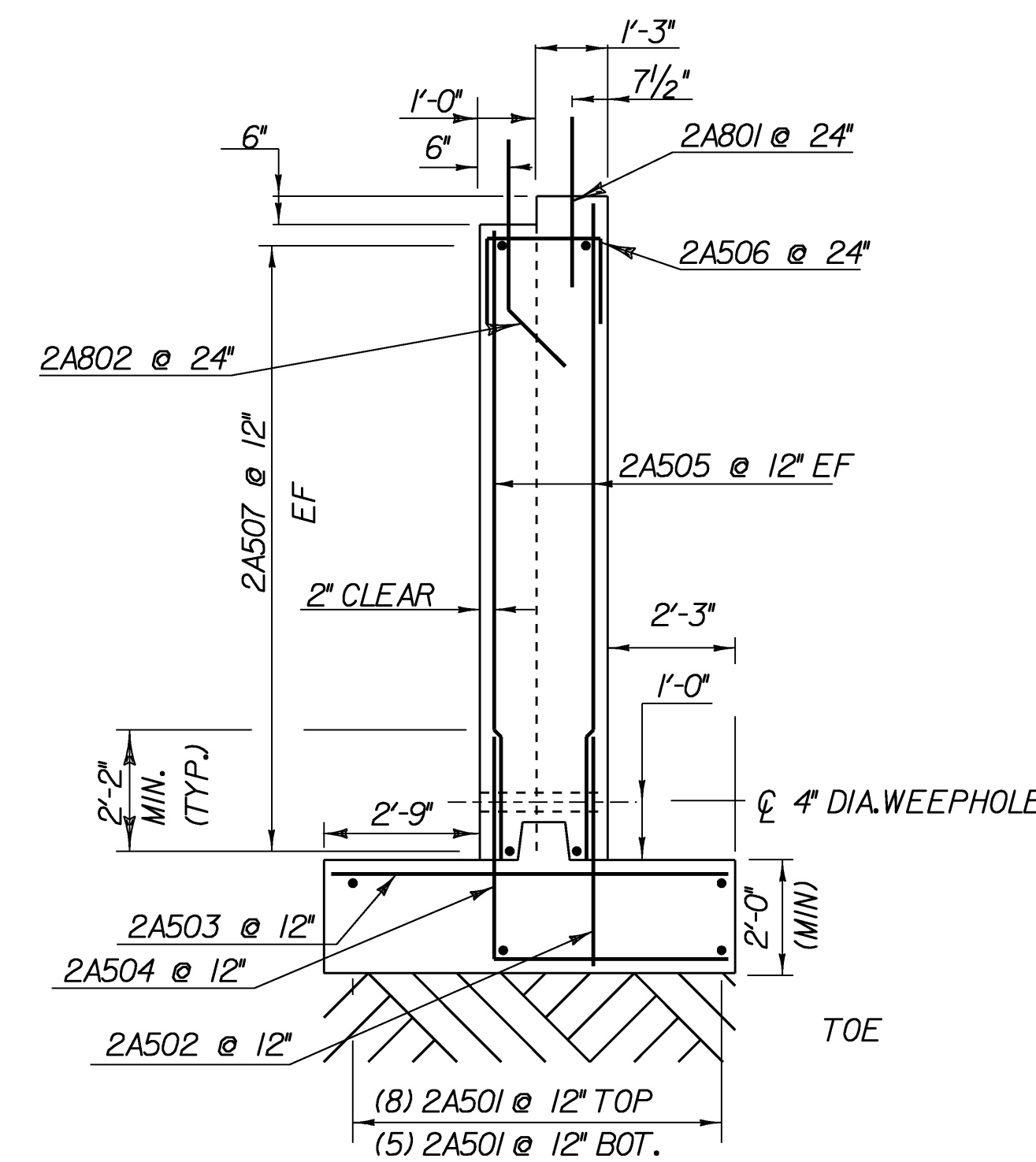
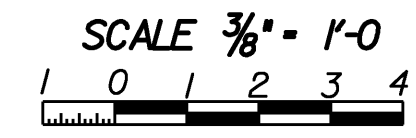
ABUTMENT #1 TYPICAL



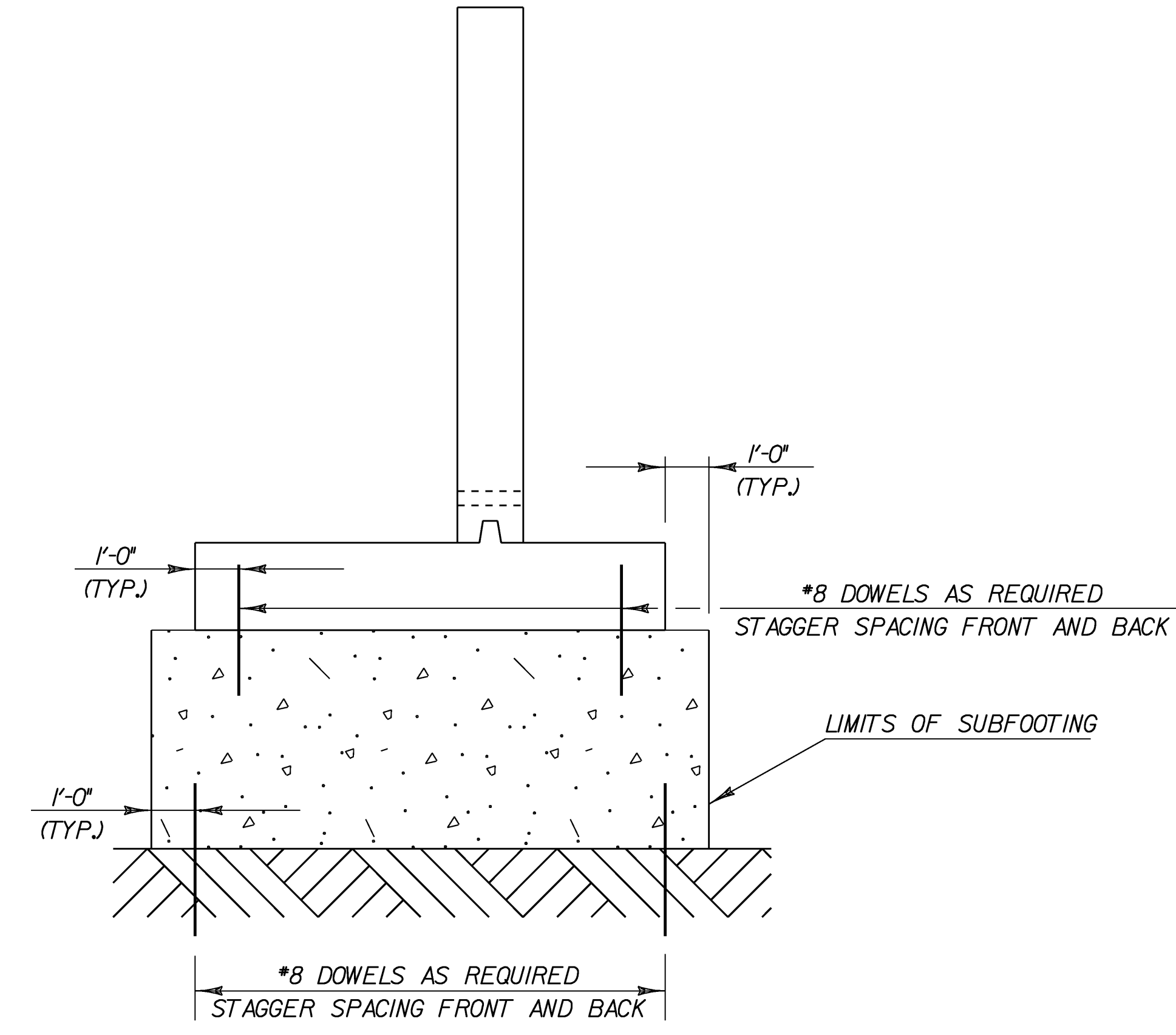
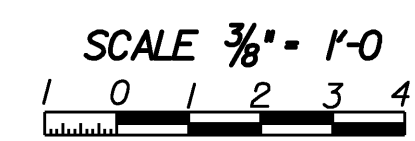
WINGWALLS 1 & 3 TYPICAL



WINGWALLS 2 & 4 TYPICAL



ABUTMENT #2 TYPICAL



SUBFOOTING SECTION
NTS

SEE GENERAL NOTE SHEET FOR ADDITIONAL DETAILS

NOTE:

- NF = NEAR FACE
- FF = FAR FACE
- EF = EACH FACE
- ▲ = CUT TO FIT IN FIELD
- 3" CLR. UNLESS OTHERWISE SPECIFIED ON THE PLANS.

ABUTMENT AND WINGWALL TYPICAL SECTIONS

PROJECT NAME: WILLIAMSTOWN	PLOT DATE: 07-APR-2008
PROJECT NUMBER: BRS 0204(4)	DRAWN BY: G.ROKES
FILE NAME: 83e111\str_sellabut1.dg	CHECKED BY: U.STANLEY
PROJECT LEADER: M.EVANS-MONGEON	SHEET 57 OF 108
DESIGNED BY: M.EVANS-MONGEON	
IPARM sellsub5.1	