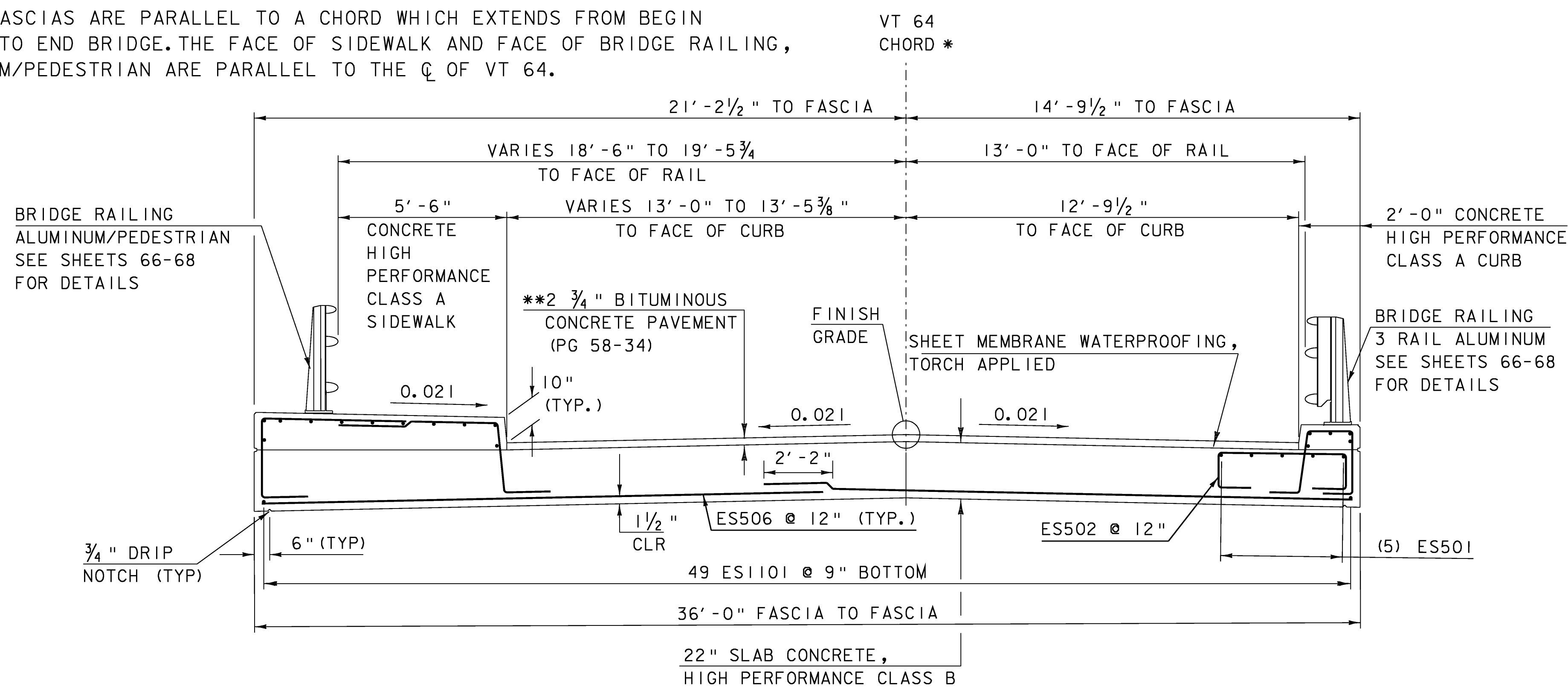
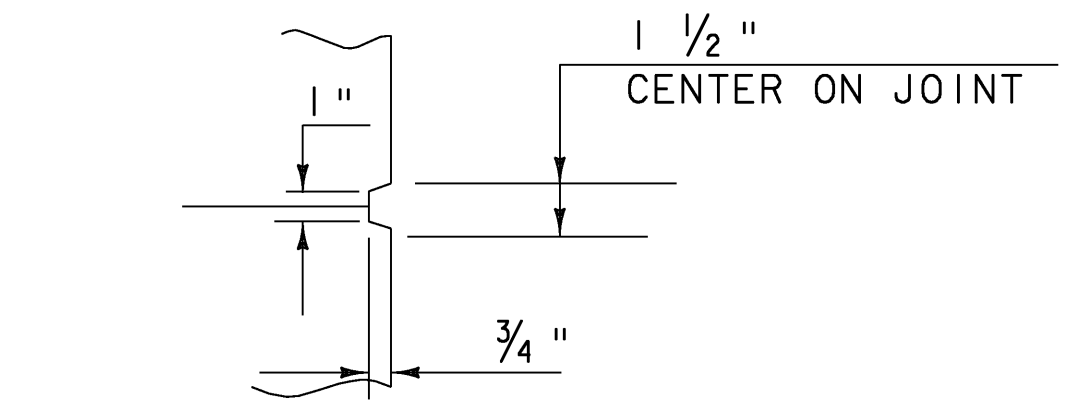
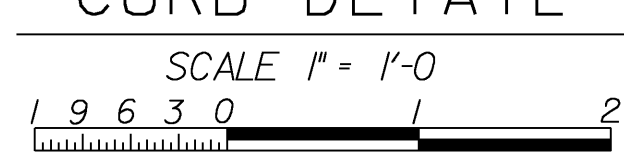
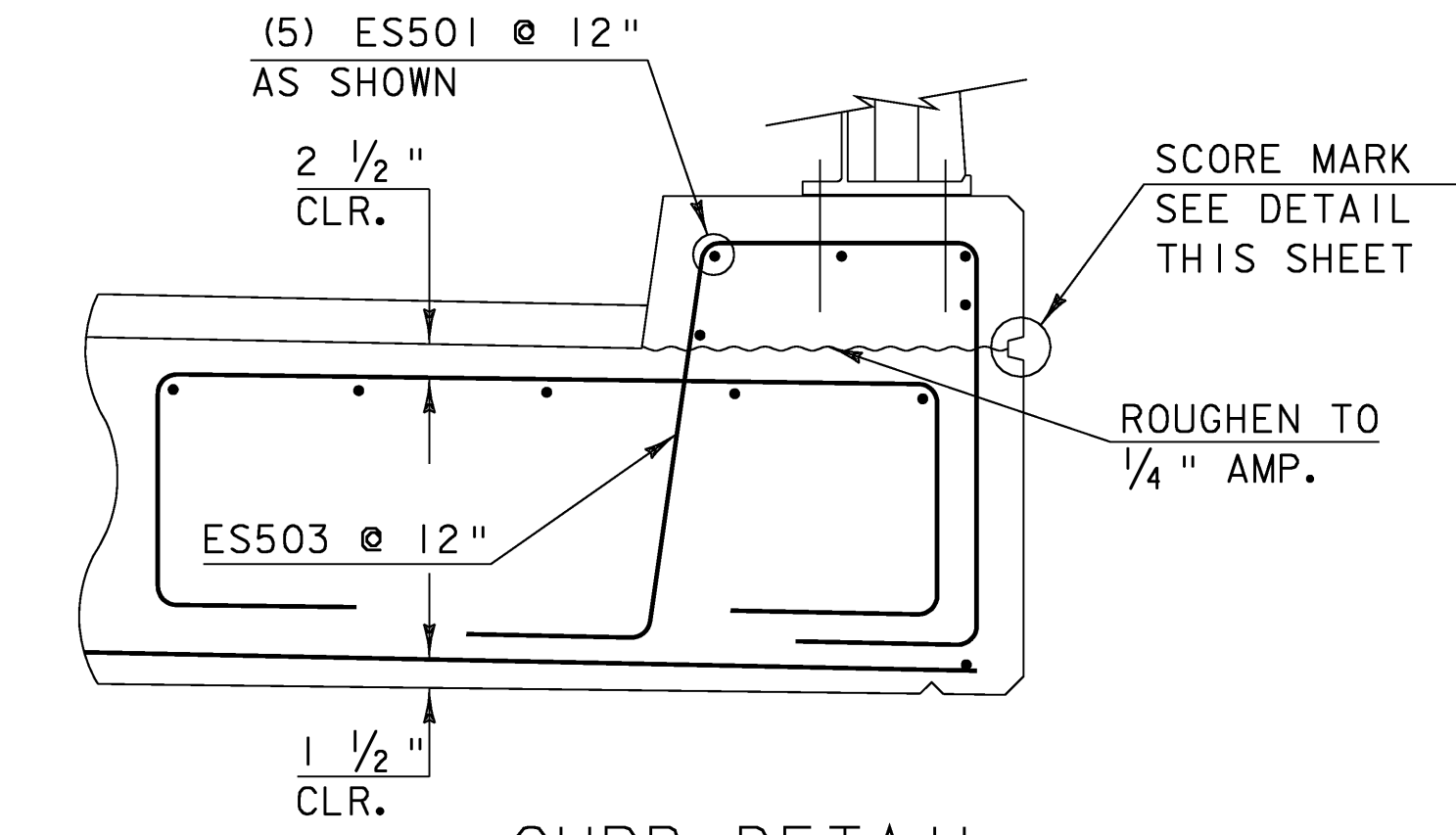
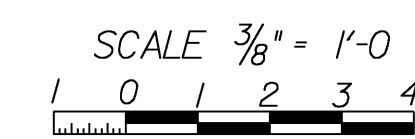


\* THE FASCIAS ARE PARALLEL TO A CHORD WHICH EXTENDS FROM BEGIN BRIDGE TO END BRIDGE. THE FACE OF SIDEWALK AND FACE OF BRIDGE RAILING, ALUMINUM/PEDESTRIAN ARE PARALLEL TO THE  $\bar{C}$  OF VT 64.

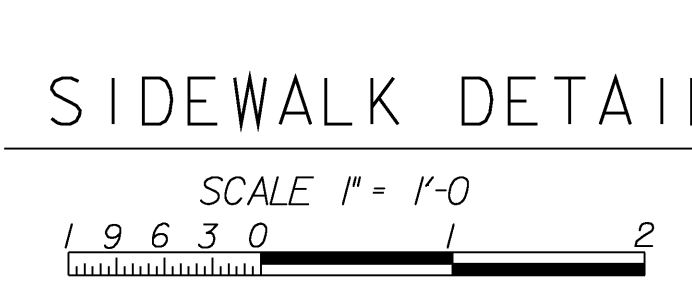
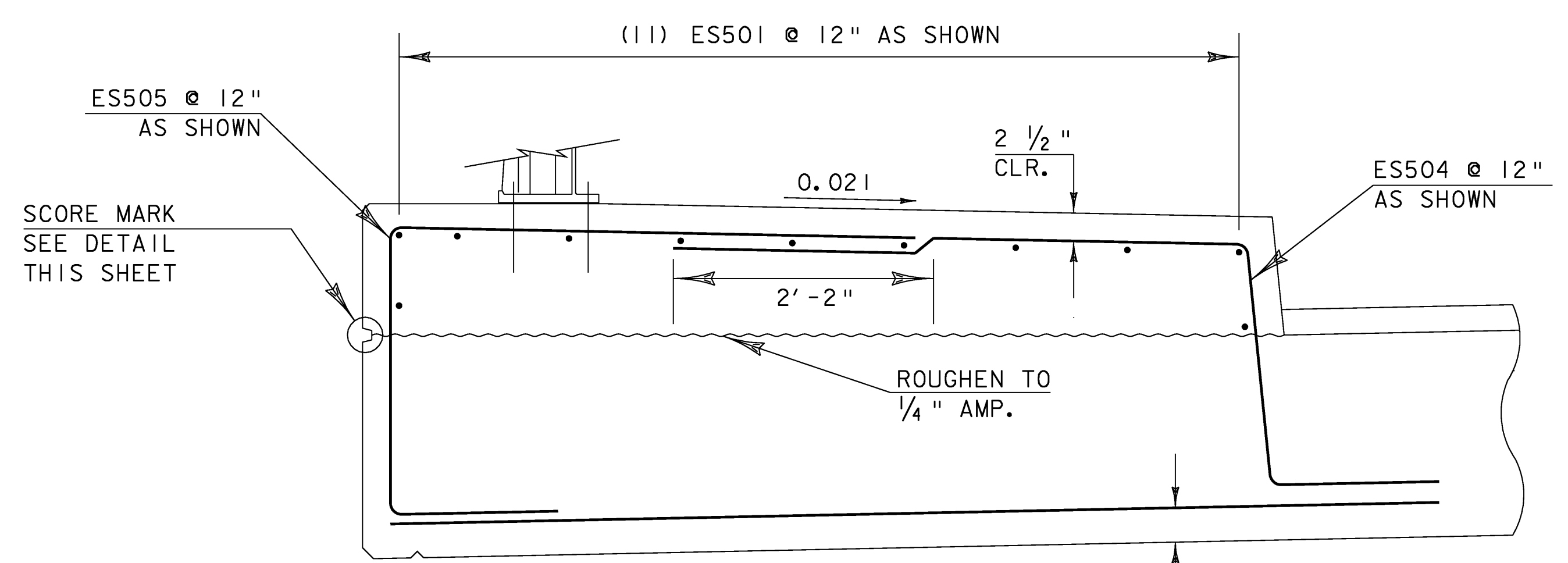


\*\*1 1/2" BIT. CONCRETE PAVEMENT TYPE IV (PG 58-34) OVER 1 1/4" BIT. CONCRETE PAVEMENT TYPE IV (PG 58-34)

BRIDGE TYPICAL SECTION



SCORE MARK DETAIL  
NTS



**NOTE:**  
 NF = NEAR FACE  
 FF = FAR FACE  
 EF = EACH FACE  
 ▲ = CUT TO FIT IN FIELD  
 3" CLR. UNLESS OTHERWISE SPECIFIED ON THE PLANS.

SLAB DETAIL SHEET 2

PROJECT NAME: WILLIAMSTOWN	PLOT DATE: 07-APR-2008
PROJECT NUMBER: BRS 0204(4)	DRAWN BY: U. STANLEY
FILE NAME: 83ell\structures\sellsup.dgn	CHECKED BY: EVANS-MONGEON
DESIGNED BY: U. STANLEY	SHEET 51 OF 108
IPARM sellsup2.1	