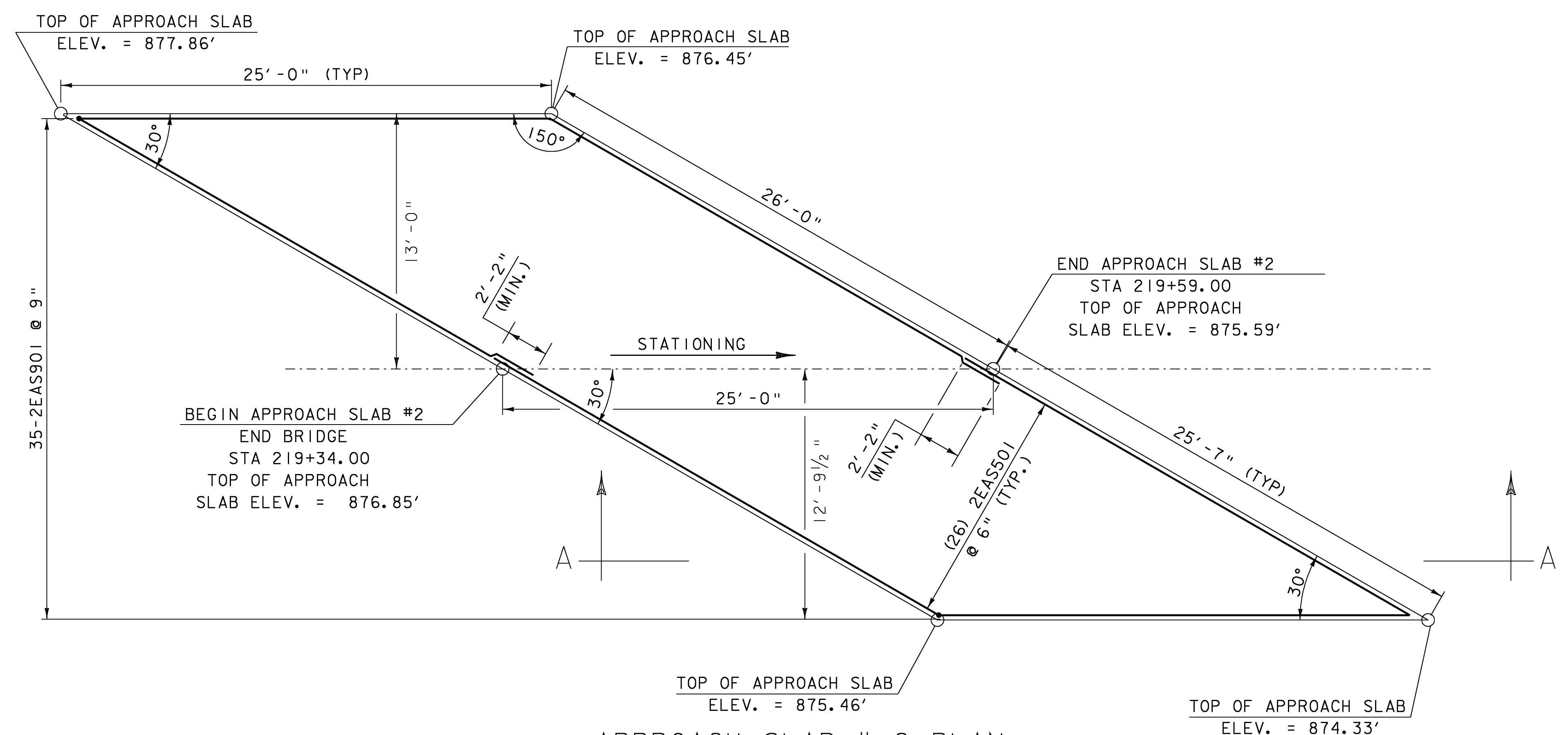


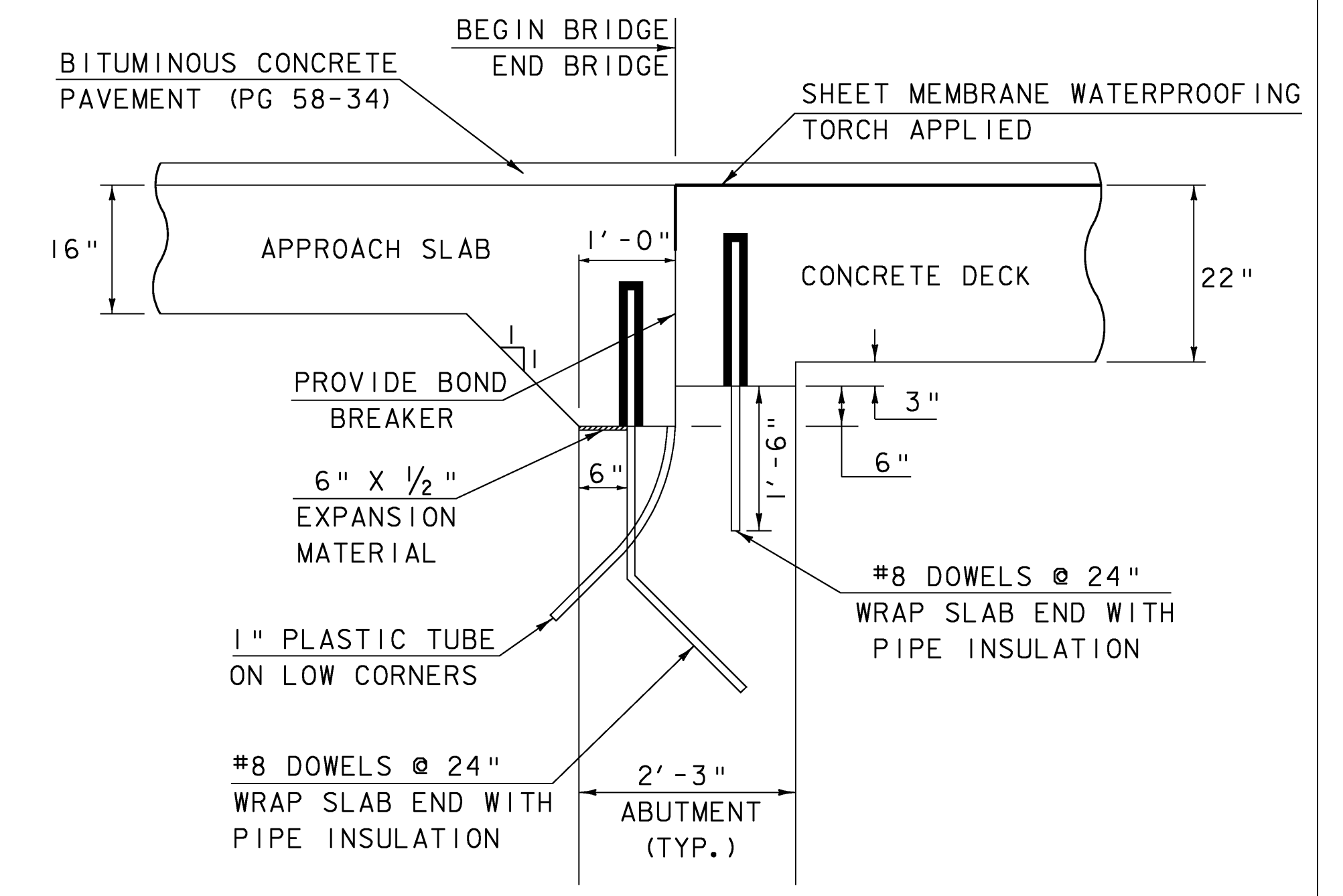
APPROACH SLAB # 1 PLAN

SCALE 1/4" = 1'-0"
 1 0 2 4 6



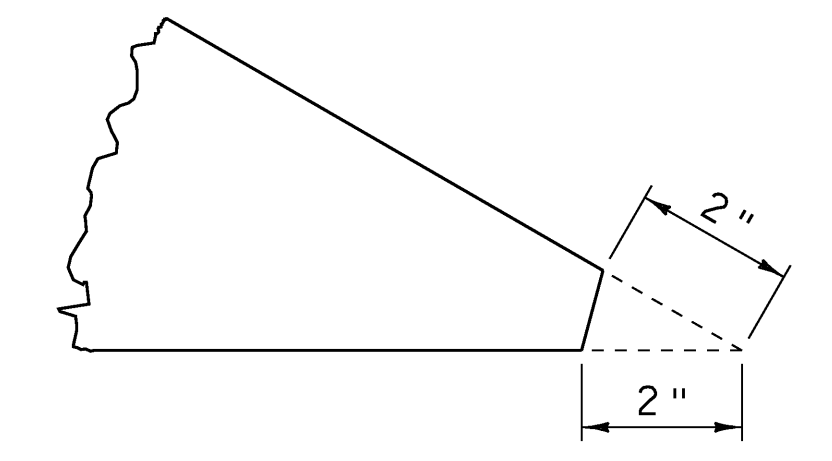
APPROACH SLAB # 2 PLAN

SCALE 1/4" = 1'-0"
 1 0 2 4 6



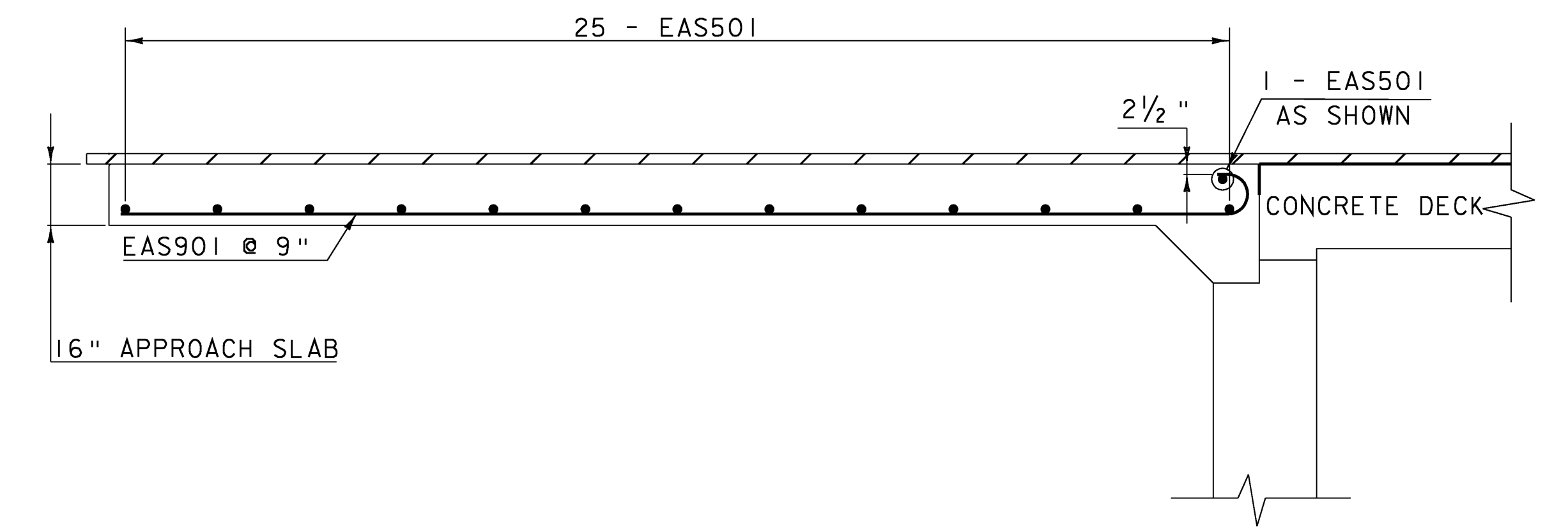
TYPICAL END SECTION

SCALE 3/4" = 1'-0"
 1 0 2



ACUTE CORNER DETAIL

NTS



SECTION A-A

SCALE 3/8" = 1'-0"
 1 0 1 2 3 4

NOTE:

- NF = NEAR FACE
- FF = FAR FACE
- EF = EACH FACE
- ▲ = CUT TO FIT IN FIELD
- 3" CLR. UNLESS OTHERWISE SPECIFIED ON THE PLANS.

APPROACH SLAB DETAILS

PROJECT NAME: WILLIAMSTOWN	PLOT DATE: 07-APR-2008
PROJECT NUMBER: BRS 0204(4)	DRAWN BY: U. STANLEY
FILE NAME: 83e11\structures\sellsup.dgn	CHECKED BY: EVANS-MONGEON
PROJECT LEADER: M. EVANS-MONGEON	SHEET 49 OF 108
DESIGNED BY: U. STANLEY	
IPARM sellsup.1	