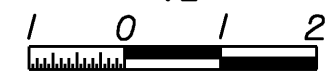
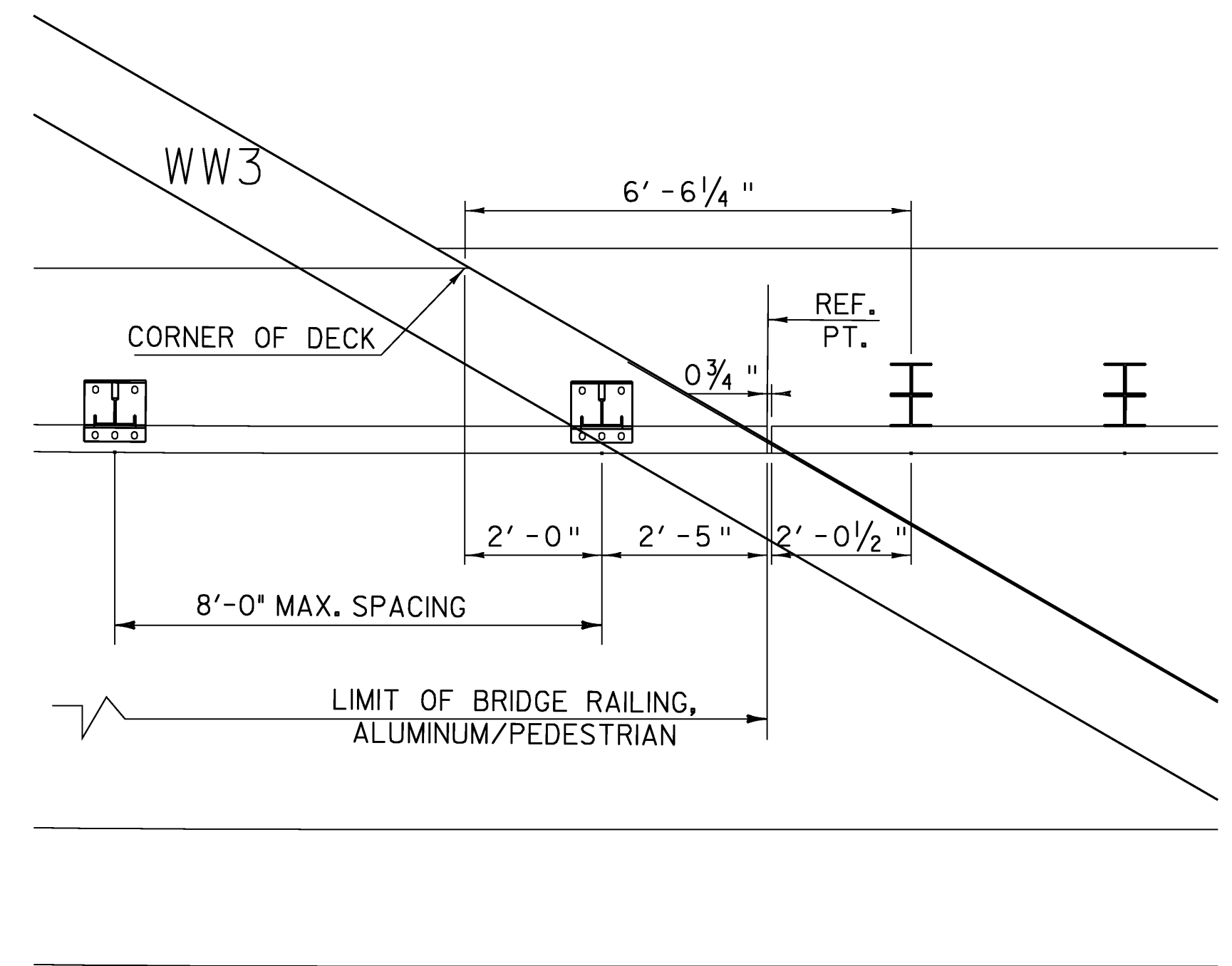


DETAIL A

SCALE 1/2" = 1'-0"

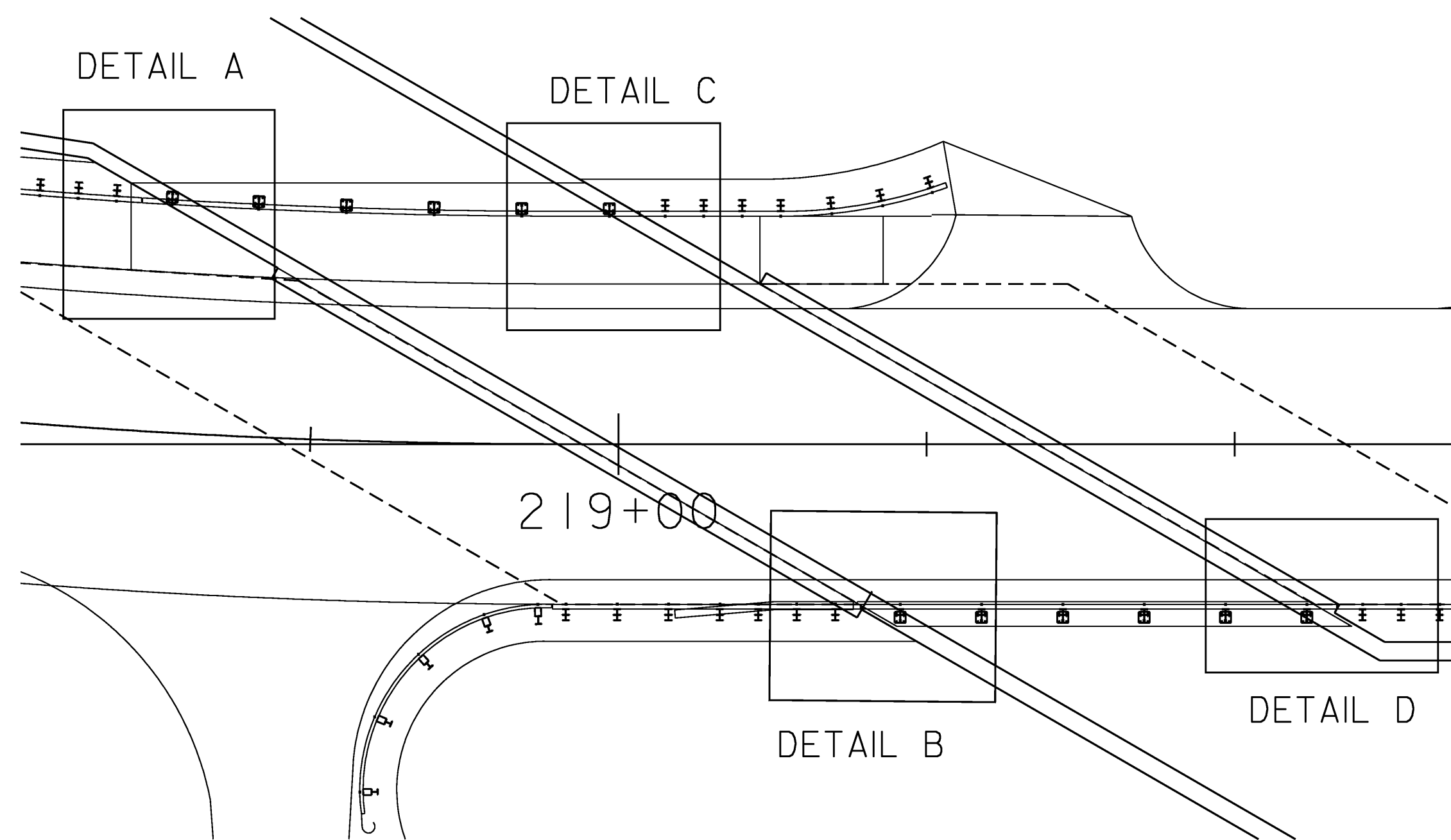
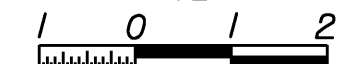


REF PT = END OF
PAY LIMIT FOR
BRIDGE RAILING



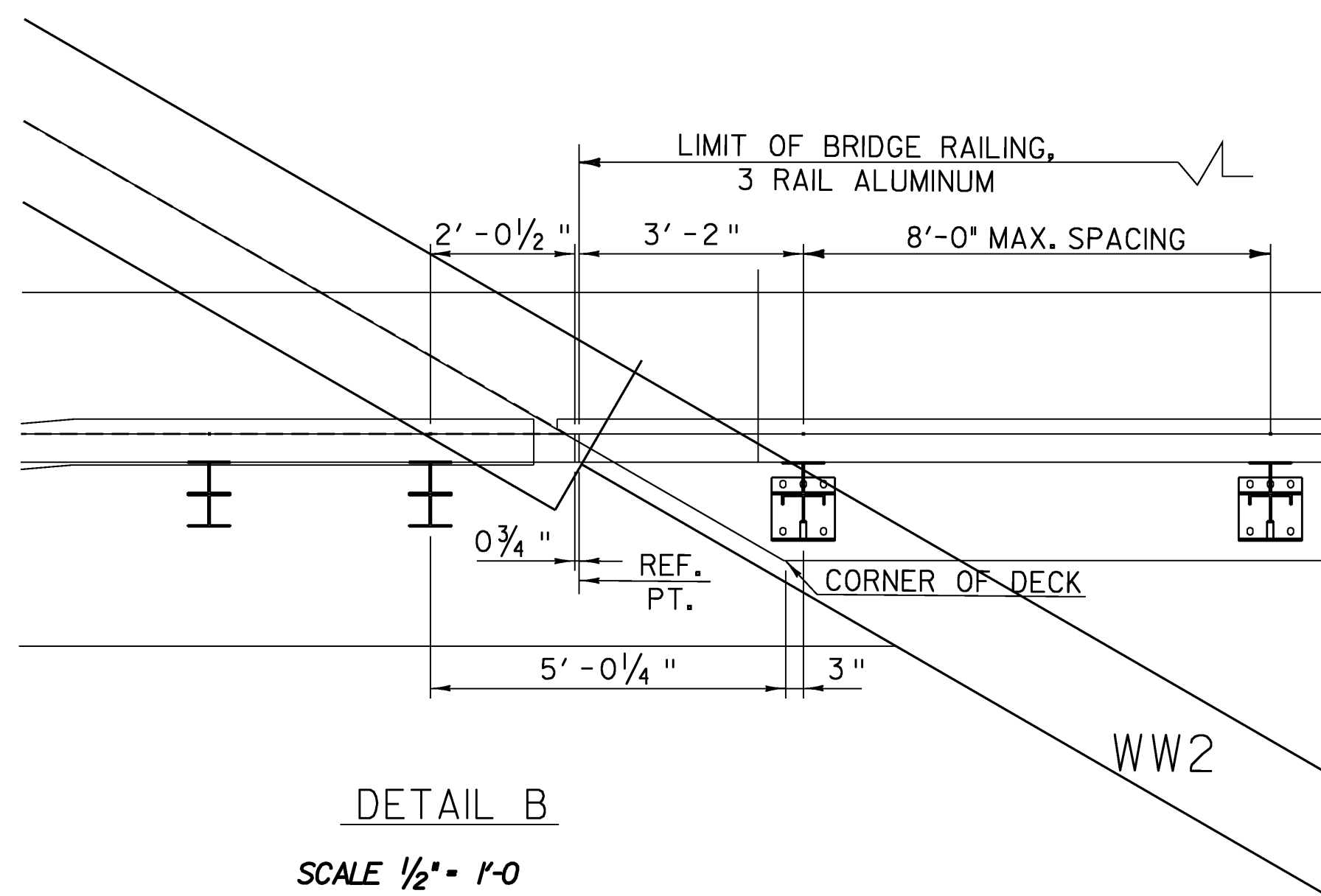
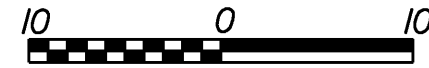
DETAIL C

SCALE 1/2" = 1'-0"



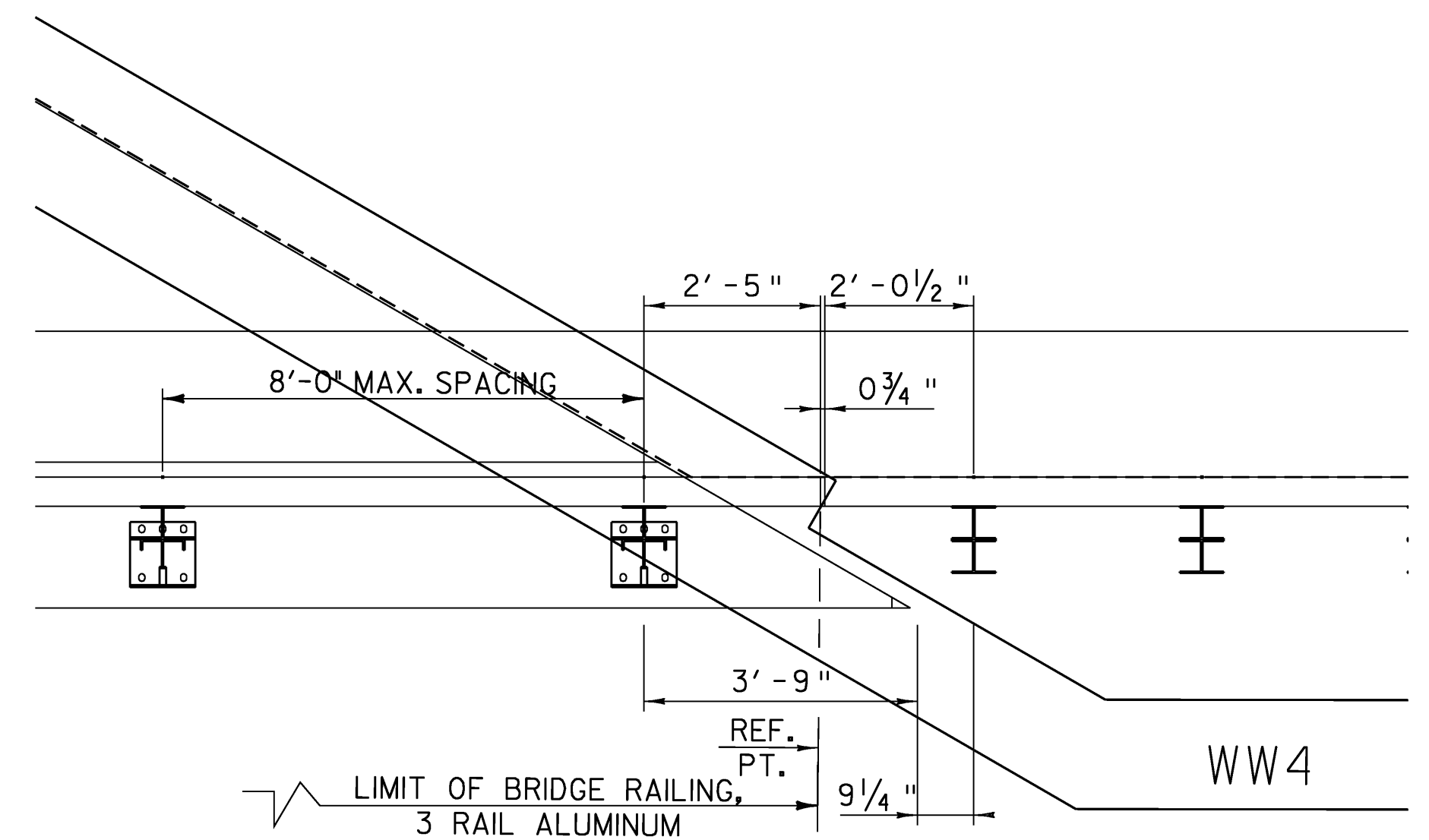
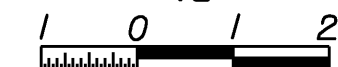
PLAN VIEW

SCALE 1" = 10'-0"



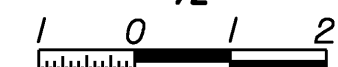
DETAIL B

SCALE 1/2" = 1'-0"



DETAIL D

SCALE 1/2" = 1'-0"



BRIDGE RAIL LAYOUT SHEET

PROJECT NAME: WILLIAMSTOWN

PROJECT NUMBER: BRS 0204(4)

FILE NAME: /83elll/selllbrldgerallme

PROJECT LEADER: EVANS-MONGEON

DESIGNED BY: U. STANLEY

PLOT DATE: 07-APR-2008

DRAWN BY: L. DUQUETTE

CHECKED BY: EVANS-MONGEON

SHEET 46 OF 108