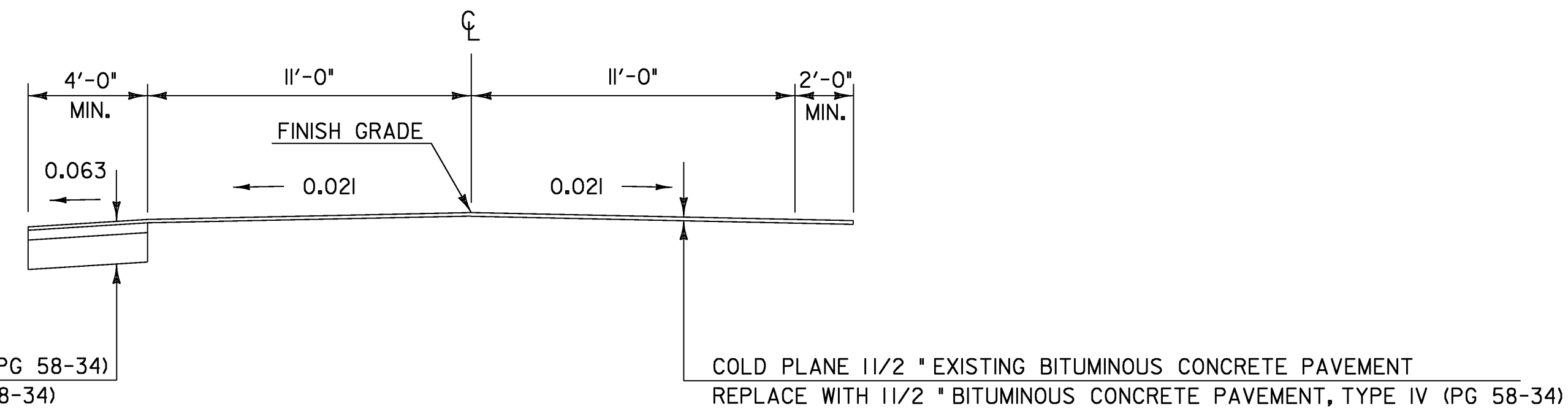


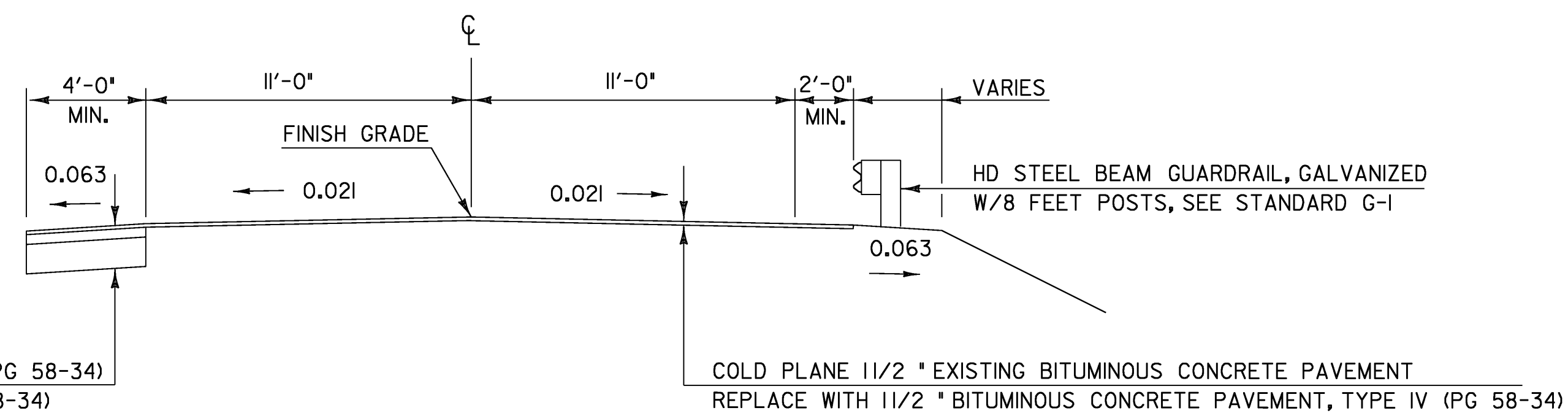
MATERIAL ITEM	THICKNESS TOLERANCE
BIT. CONC. PAVEMENT TYPE IV (PG 58-34)	± 1/4"
BASE COURSE, BIT. CONC. PAVEMENT TYPE I (PG 58-34)	± 1/2"
SUBBASE OF DENSE GRADED CRUSHED STONE	± 1"



1 1/2" BITUMINOUS CONCRETE PAVEMENT, TYPE IV (PG 58-34)
 2" BITUMINOUS CONCRETE PAVEMENT, TYPE I (PG 58-34)
 2" BITUMINOUS CONCRETE PAVEMENT, TYPE I (PG 58-34)
 12" SUBBASE OF DENSE GRADED CRUSHED STONE

COLD PLANE 1 1/2" EXISTING BITUMINOUS CONCRETE PAVEMENT
 REPLACE WITH 1 1/2" BITUMINOUS CONCRETE PAVEMENT, TYPE IV (PG 58-34)

NORMAL SECTIONS
 NTS
 STA 215+00 TO 218+25



1 1/2" BITUMINOUS CONCRETE PAVEMENT, TYPE IV (PG 58-34)
 2" BITUMINOUS CONCRETE PAVEMENT, TYPE I (PG 58-34)
 2" BITUMINOUS CONCRETE PAVEMENT, TYPE I (PG 58-34)
 12" SUBBASE OF DENSE GRADED CRUSHED STONE

COLD PLANE 1 1/2" EXISTING BITUMINOUS CONCRETE PAVEMENT
 REPLACE WITH 1 1/2" BITUMINOUS CONCRETE PAVEMENT, TYPE IV (PG 58-34)

NORMAL SECTIONS
 NTS
 STA 220+25 TO 223+85

ROADWAY TYPICAL SECTIONS SHEET I

PROJECT NAME: WILLIAMSTOWN	PROJECT NUMBER: BRS 0204 (4)
FILE NAME: /structures/se11typ.dgn	PLOT DATE: 07-APR-2008
PROJECT LEADER: EVANS-MONGEON	DRAWN BY: STANLEY
DESIGNED BY: EVANS-MONGEON	CHECKED BY: STANLEY
s83e11typ2.1	SHEET 3 OF 108