

272+50 - 275+10
VT 125 273+00 - 274+75 RT
NEW 6" UNDERDRAIN

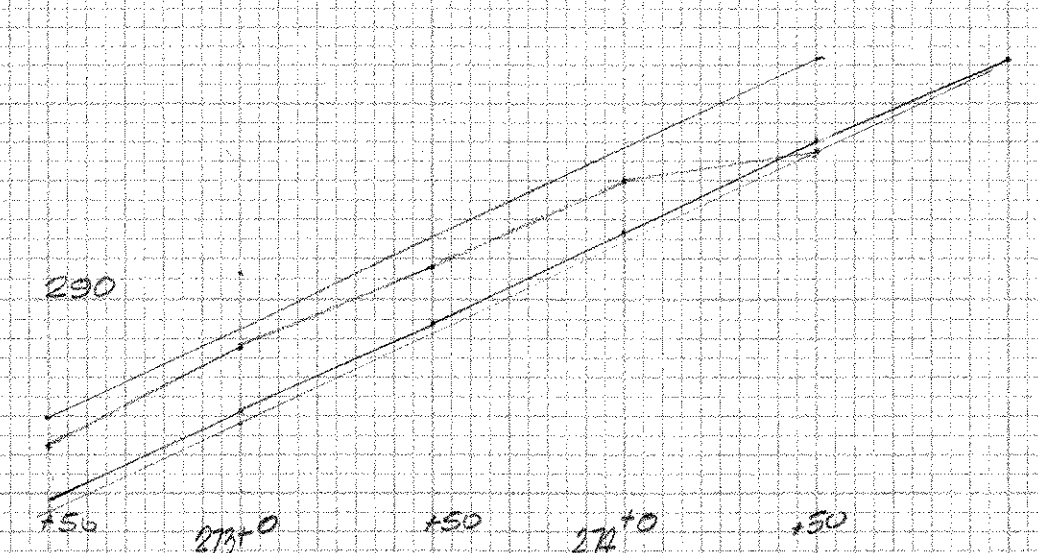
PK 2 P 123

STA	DIST	E.G.	AREA (H ²)	VOL (CY)
272+50			BUTT	
272+98	2	284.08	16.8	
273+0	50	284.26		1.22
+50		288.84		30.56
274+0		293.41		30.56
+50		298.00		30.56
275+0		302.54		30.56
+10		306.00		30.56
+50		309.41		30.56
276+0		312.17		30.56
+50		314.50		30.56
+75				15.28
			BUTT	
				230.42 C.Y.

272+50 - 275+10 RT
NEW 6" UNDERDRAIN

PK 2 P 123

STA	DIST	TOTAL AREA	TOTAL VOL	ROCK DEPTH	ROCK AREA	ROCK VOL
272+50	50	16.5	30.56	3.5	10.9	21.85
273			30.56	4.0	12.7	21.48
+50			30.56	3.4	10.5	18.52
274			30.56	3.1	9.3	8.80
+50			30.56	0	0	
275	10	16.5	6.11			
+10						
			158.91 cf			70.65 cf
			T.R. ROCK - 70.65			
			TERR. EARTH 88			



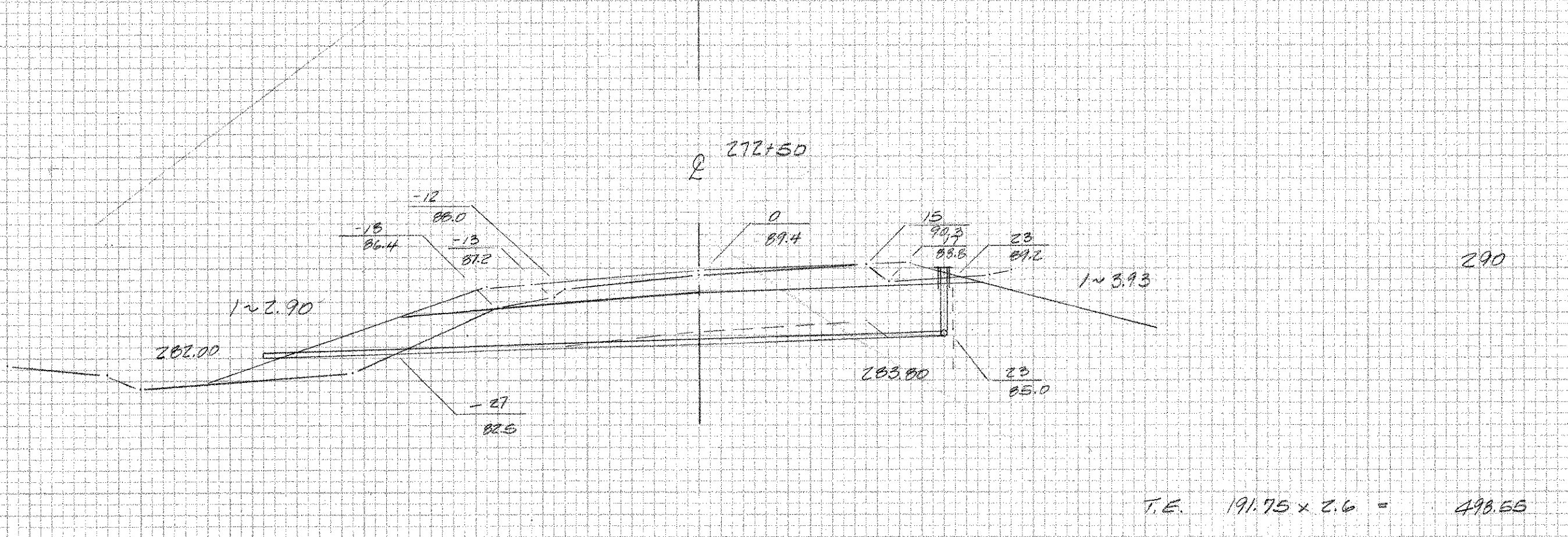
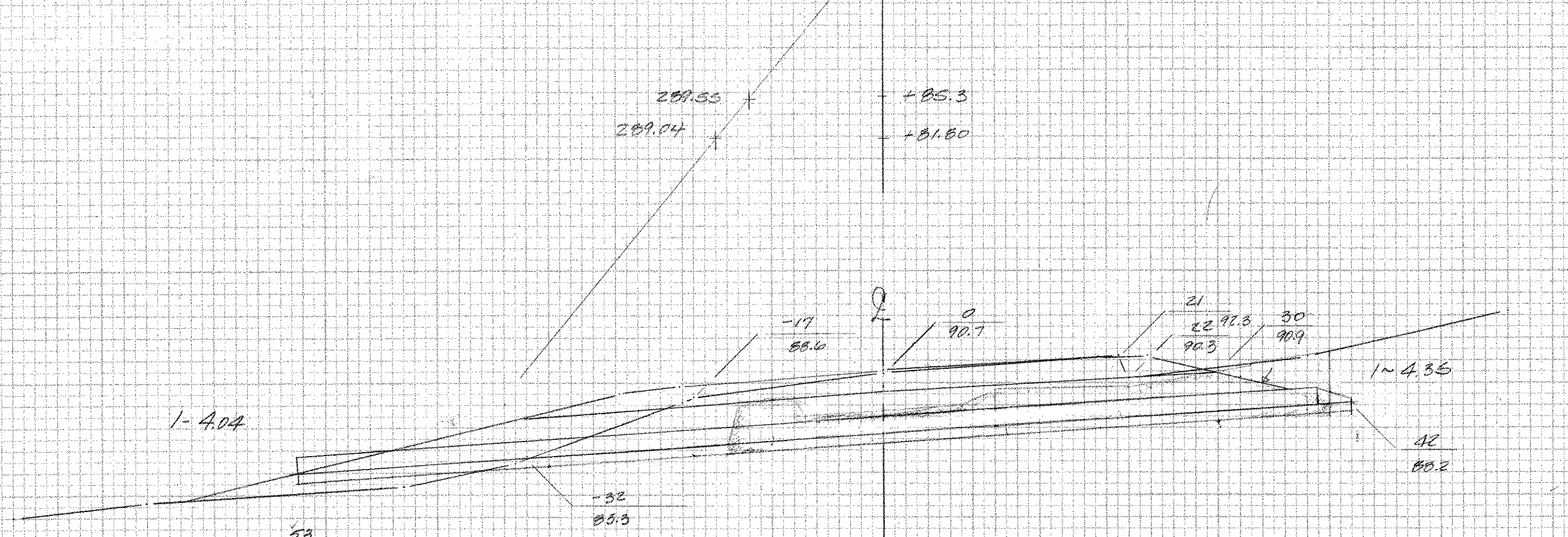
HORIZ. 1" = 50'
VERT. 1" = 1'

272+01.00	287.48
+ 85.30	289.02
273+00	291.15
+ 14.70	292.50
+ 18.00	292.02

+18.20	292.39
+ 14.7	292.25
291.15	273+0
+25.5	
+21.80	

272+96.2	292.36
272+94	290.85
272+85	
272+76+0	
272+73.8	
288.70	
288.51	

273+00	291.15
+ 96.2	290.80
+ 74.0	290.40
+ 85.0	289.90
+ 76.0	289.45
+ 73.8	288.75



DOES NOT INCLUDE UNDERCUT OF ROCK

T.E. $273.4 \times 3.6 = 984.24$

$6.6 \times 5.6 \times 1.5 = 35.04$

$1019.88 \div 27 = 37.77 \text{ C.Y.}$

T.E. $102 \text{ s.f.} \times 3.6 \div 27 = 13.6 \text{ cf}$

$1 \times 3.6 \times 9.5 \div 27 = 12.7 \text{ cf}$

$180 \text{ s.f.} \times 3.6 \div 27 = 25.1 \text{ cf}$

T.E. $191.75 \times 2.6 = 498.55$

$27.65 \times 2.6 \times 1.5 = 107.84$

$606.39 \div 27 = 22.46 \text{ C.Y.}$

Pay 1.0' undercut
9.7.00 W/R

273+00
ASKEW 39-30 R
NEW 18" X 42" PCC CP. 06A
W/ H.E.S @ INLET

PK 2 P 73

PK 2 P 125

BRIDGEPORT HES F 017-122

SHEET 1 OF 3
DRAWING