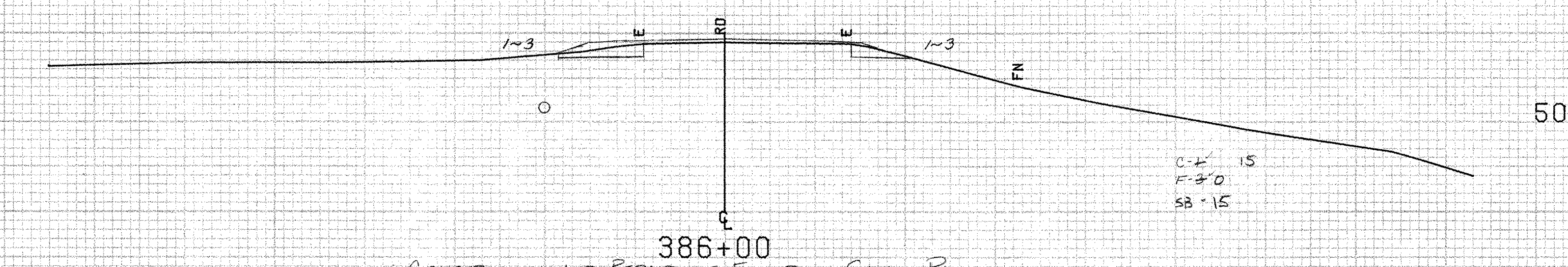
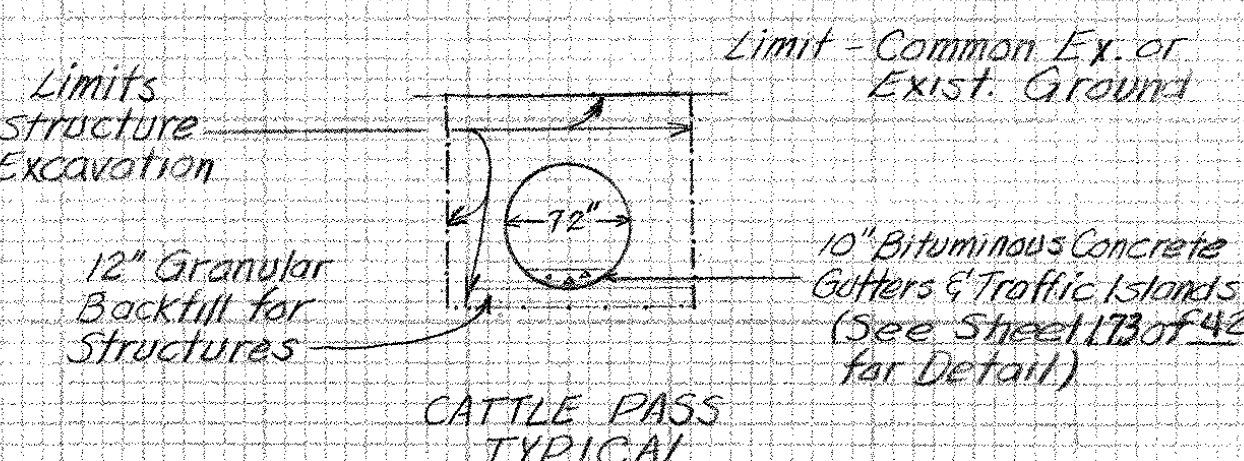
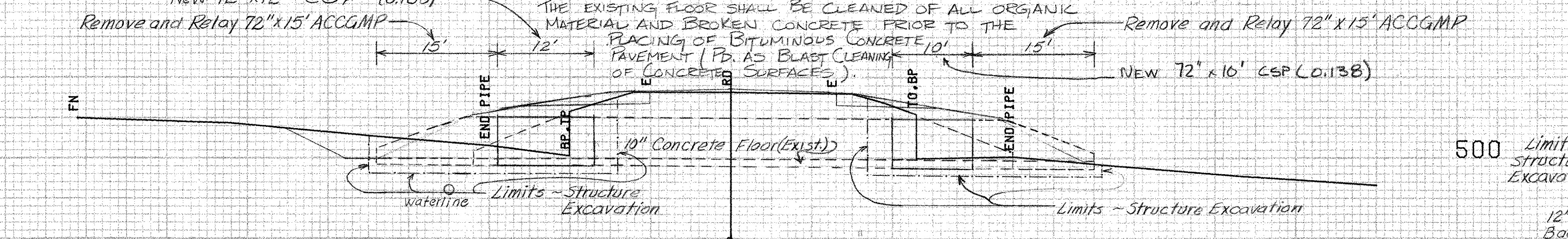


C-# 16
F-# 0
SB-15



C-# 15
F-# 0
SB-15

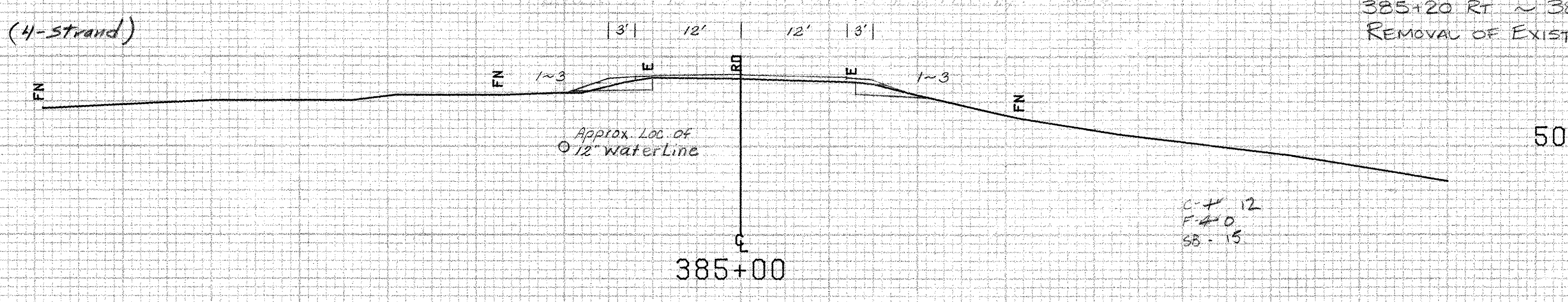
CONSTRUCTION AND REPAIR OF FLOOR IN CATTLE PASS
(TO BE PAID AT BITUMINOUS CONCRETE GUTTERS AND TRAFFIC ISLANDS WHICH WILL INCLUDE A TACK COAT OF EMULSIFIED ASPHALT OF ALL SURFACES UNDER NEW PAVEMENT.)



385+00 ~ 386+00 LT
Removing & Resetting Fence
Temporary Barbed Wire Fence (4-strand)
REMOVAL OF EXISTING FENCE

385+50
72" ACGMP CATTLE PASS ~ Retain
Remove and Relay 15' Section on each end
and extend 10' Rt. & 12' Lt. w/ 72" CSP (.138)

385+20 Rt ~ 385+80 Rt
REMOVAL OF EXISTING FENCE (NON-PART.)



C-# 12
F-# 0
SB-15

ADDISON MM 0.98 ~ MM 1.01

FROM STA.	385+00	TO STA.	386+50
PROJECT NAME	SHOREHAM-ADDISON MAINS		
NO.	F017-1(2)	PLOTTED	01/09/85
SURVEYED BY	FANTONI	DEC	1984
SHEET	409	OF 420 SHEETS	SHEET 409 OF 411

SCALE 10 FEET