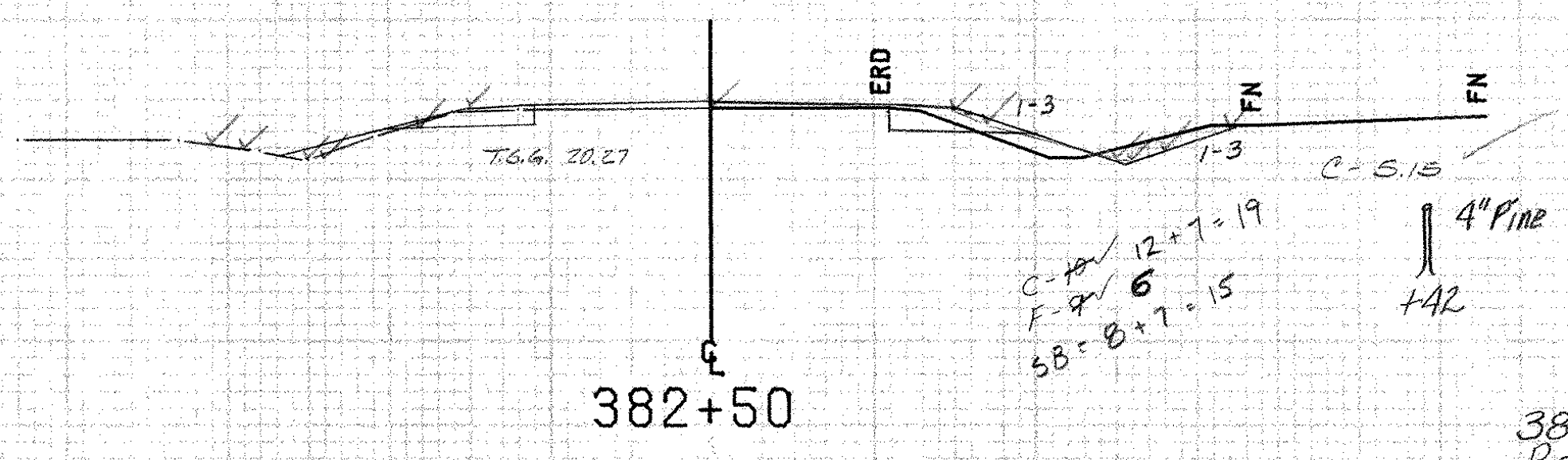


M Pole #106  
+65

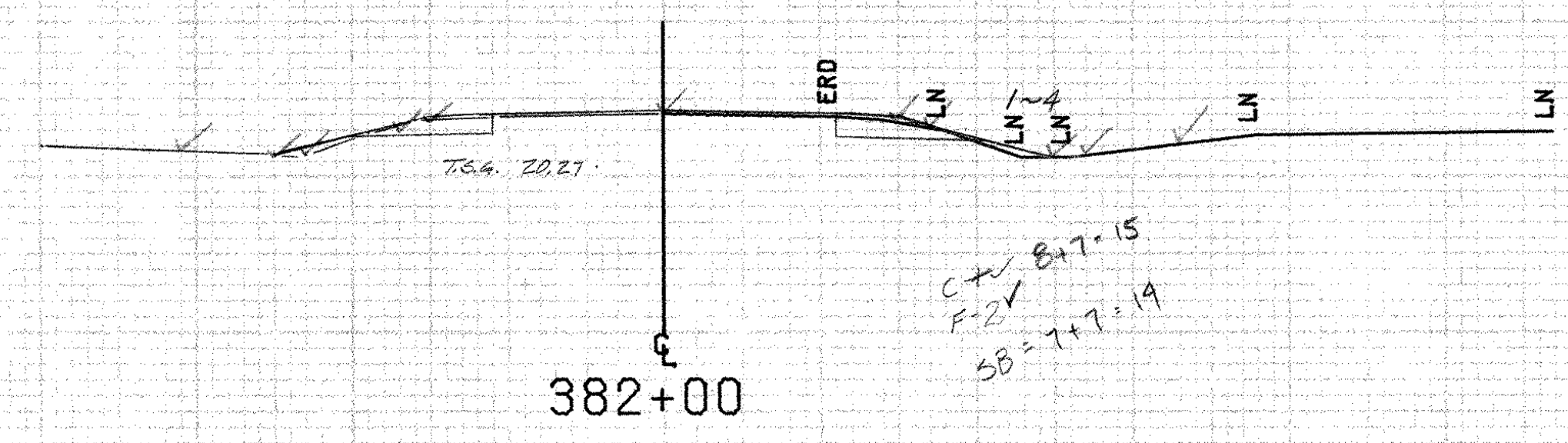


500

EARTH	
24.0	501.7
25.0	501.4
26.0	501.4
28.0	501.9
33.0	503.4
31.0	503.4
24.0	501.7

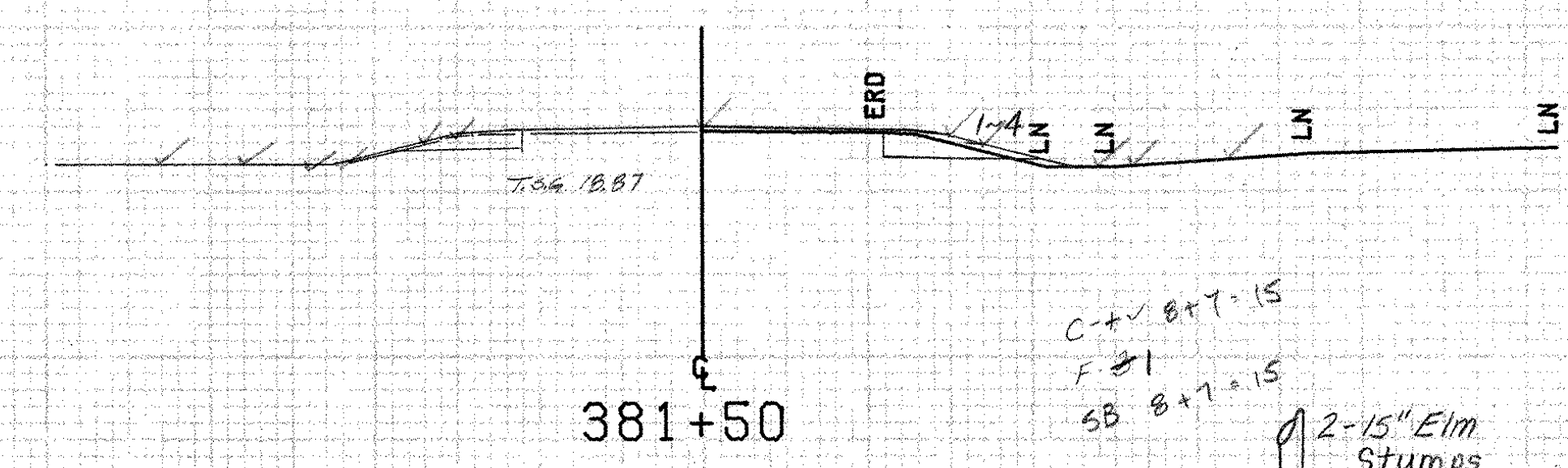
6.15 ✓

382+00 Rt.  
Begin Special Ditch (Pay As Common Excavation)



500

2-12" Elm Stumps  
+75

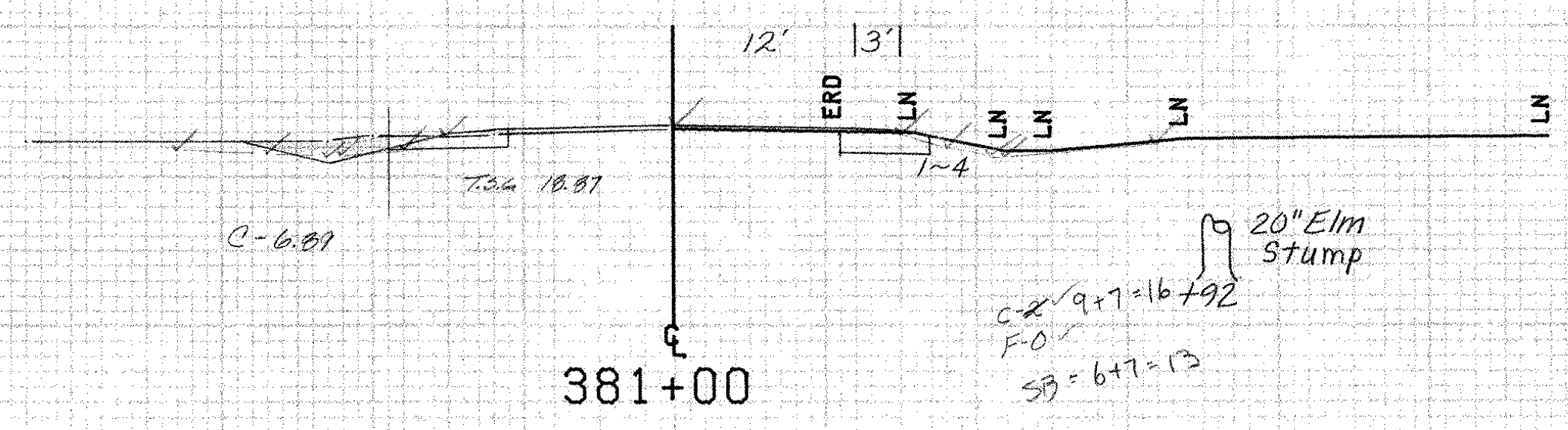


500

15" Elm Stump  
+37

EARTH	
18.87	502.8
18.87	501.6
25.0	501.5
28.8	502.8
28.0	502.8
20.0	502.6
18.87	502.8

6.89 ✓



500

ADDISON MM 0.71 ~ MM 0.94

FROM STA.	381+00	TO STA.	382+50
PROJECT NAME	SHOREHAM-BRIDPORT-ADDISON		
NO.	F017-1(2)	PLOTTED	03/13/84
SURVEYED BY	FANTONI	FEB 84	
SHEET	402 OF 400 SHEETS	SHEET	402 OF 477

SCALE 1" = 10 FEET

6.5 ✓ WJ 5-4-92