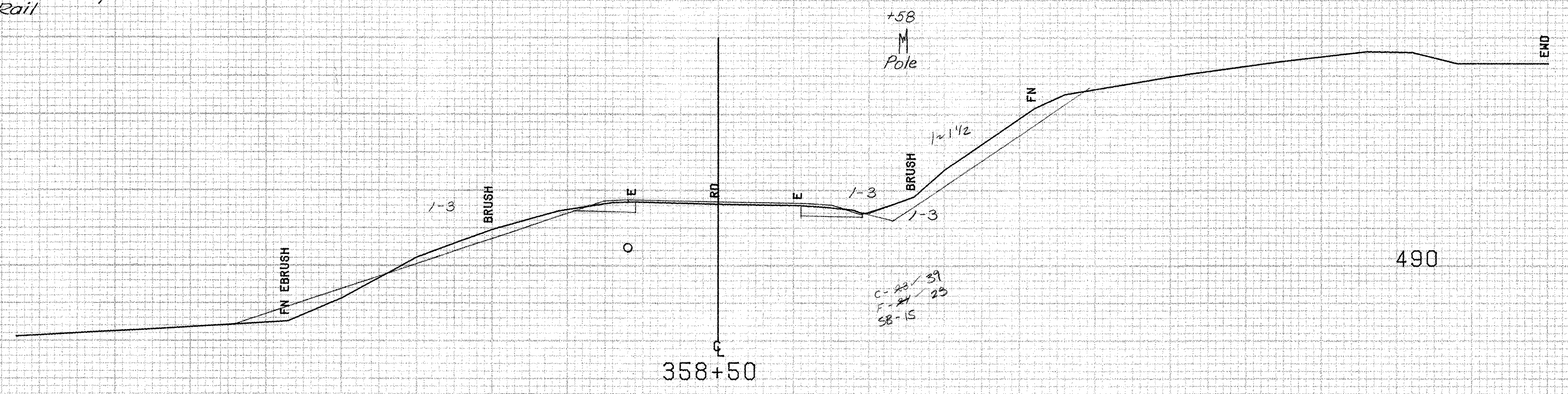
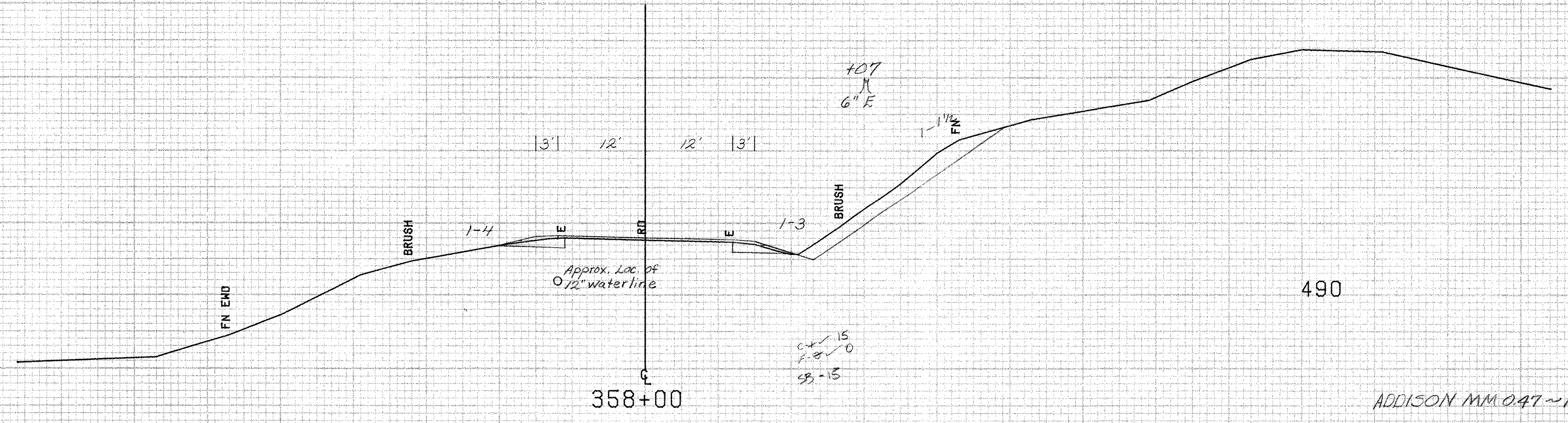


EARTH	
21.0	497.0
24.0	497.0
25.0	497.0
31.0	505.0
45.0	511.4
48.0	502.0
39.0	501.0
30.0	502.0
25.0	499.0
21.0	497.0
33.55	

358+79 LT  
Begin Removal and Disposal  
of Guard Rail



358+40 LT  
BEGIN REMOVAL OF EXISTING FENCE



ADDISON MM 0.47 ~ MM 0.50

FROM STA.	358+00	TO STA.	359+00
PROJECT NAME	SHOREHAM-ADDISON MAIN7		
NO.	F017-1(2)	PLOTTED	01/09/85
SURVEYED BY	FANTONI	DEC	1984
SHEET	391	OF 420 SHEETS	SHEET 391 OF 477

SCALE 10 FEET

Cuts with 5-5-91