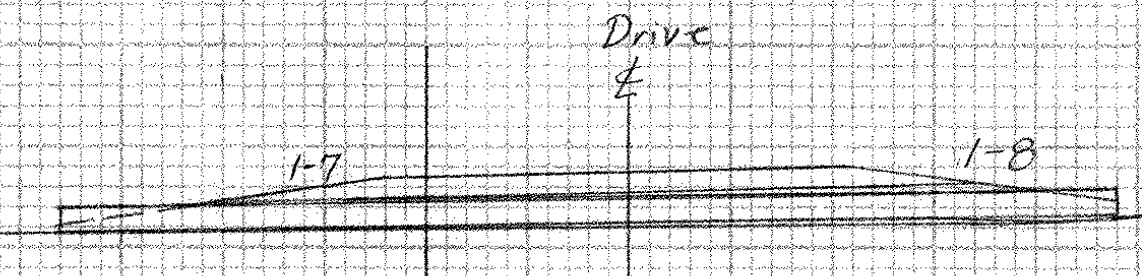


342+10 Rt
Begin Steel Beam Guard Rail

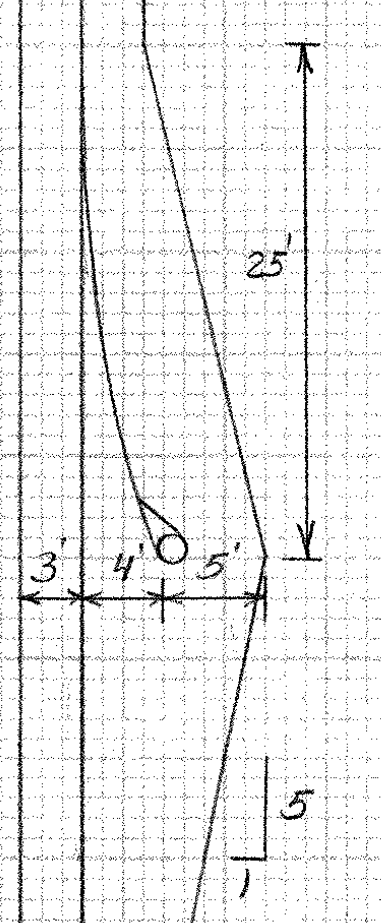
341+85 ~ 342+10 Rt
Breakaway Cable Terminal

341+84 ~ 342+00 Rt.
Const. Special Ditch w/
Erosion Matting
(Common Exc.)

C-2 25
F-0
SB-21



STEEL BEAM GUARD RAIL-DETAIL



342+00

480

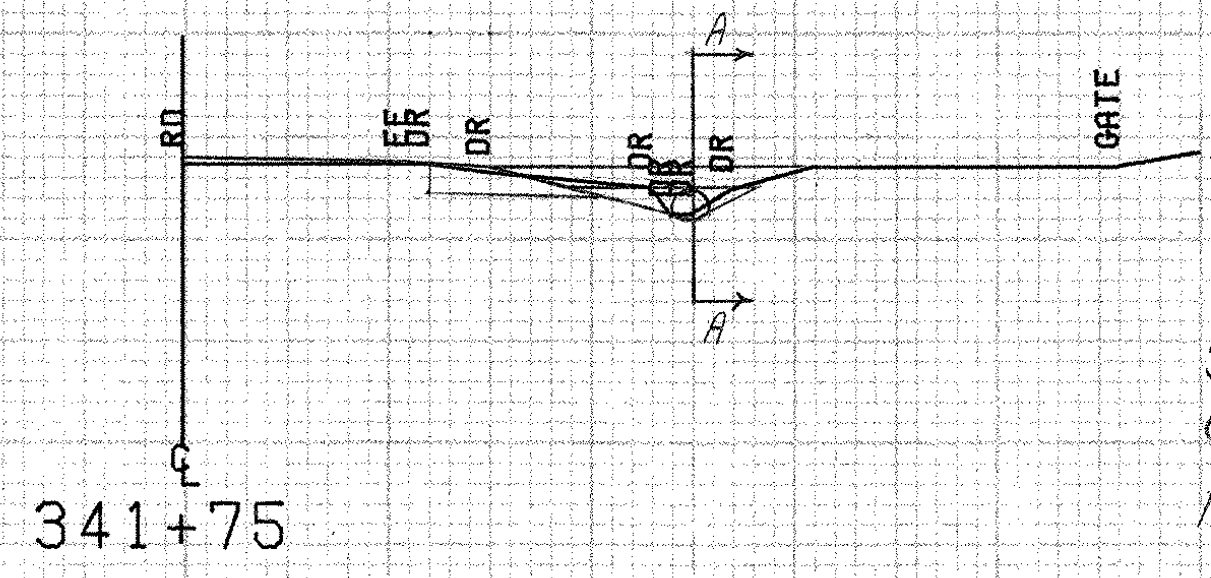
480

+50

342+00

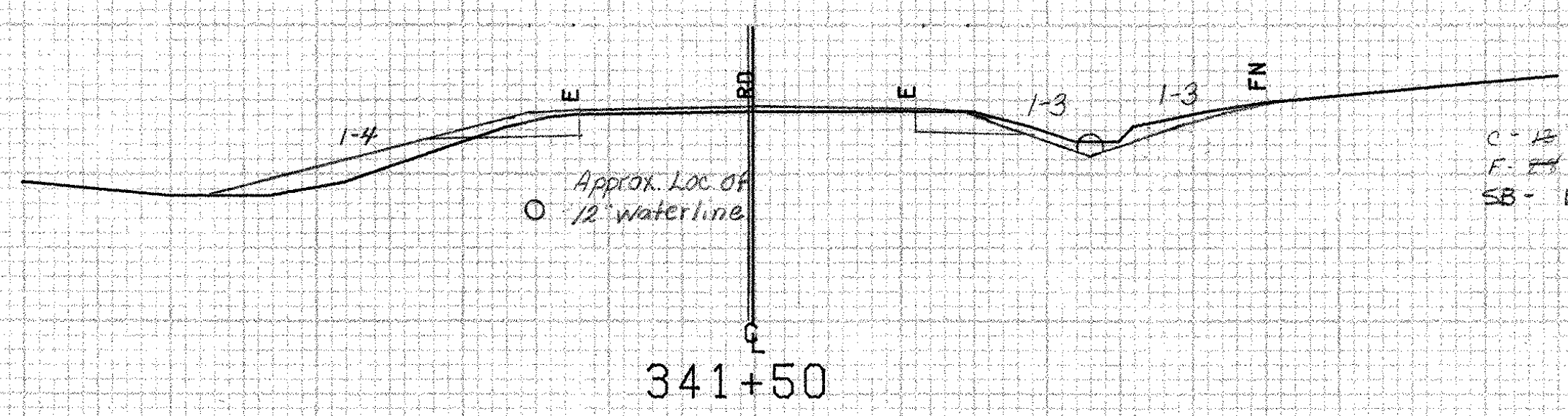
+50

344+00



341+65 Rt.
Construct Drive (22'-Gravel)
New 21" x 15" x 52' C5P (OGA)
Askew 3°-53'-15" Rt

341+46 Rt
End Special Ditch (Common Exc.)
w/ Erosion Matting



C-2 27
F-18
SB-15

341+50

480

480

BRIDPORT ~ ADDISON MM. 6.30 ~ MM. 0.32

FROM STA.	341+50	TO STA.	342+25
PROJECT NAME	SHOREHAM-BRIDPORT-ADDISON		
NO.	F017-1(2)	PLOTTED	02/28/84
SURVEYED BY	FANTONI	FEBRUARY	84
SHEET	385 OF 420 SHEETS	SHEET	385 OF 477

SCALE 1" = 10 FEET