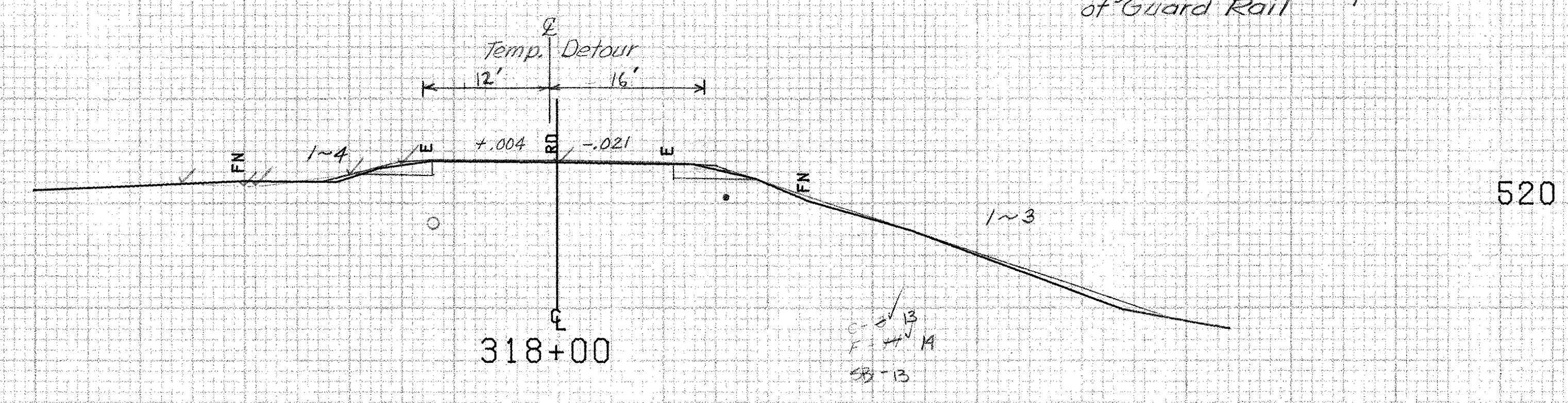
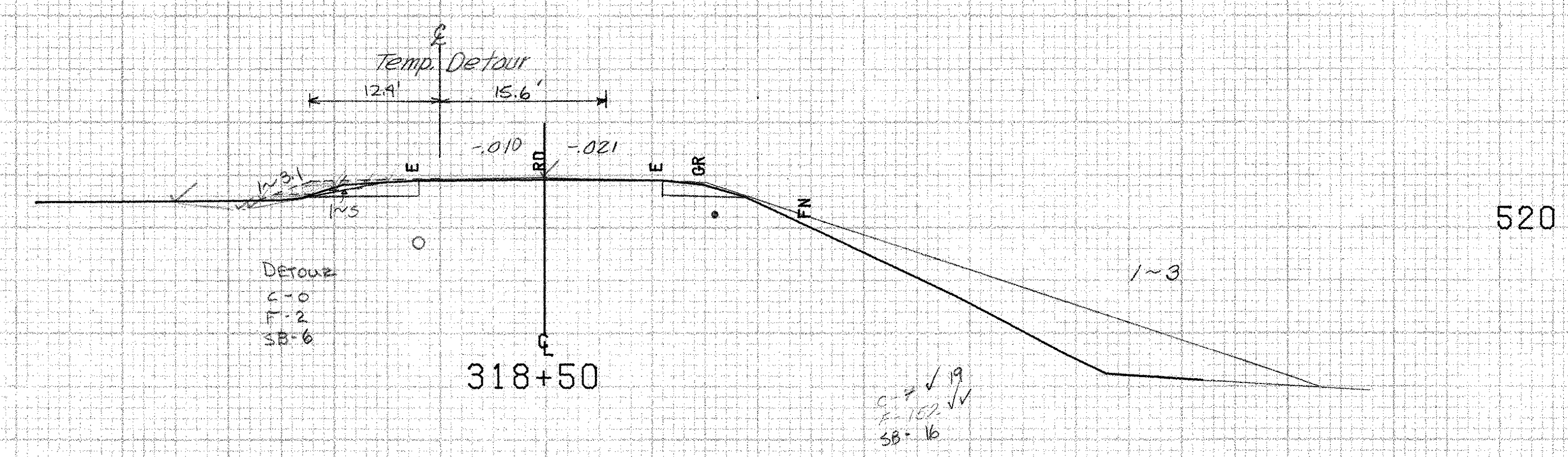
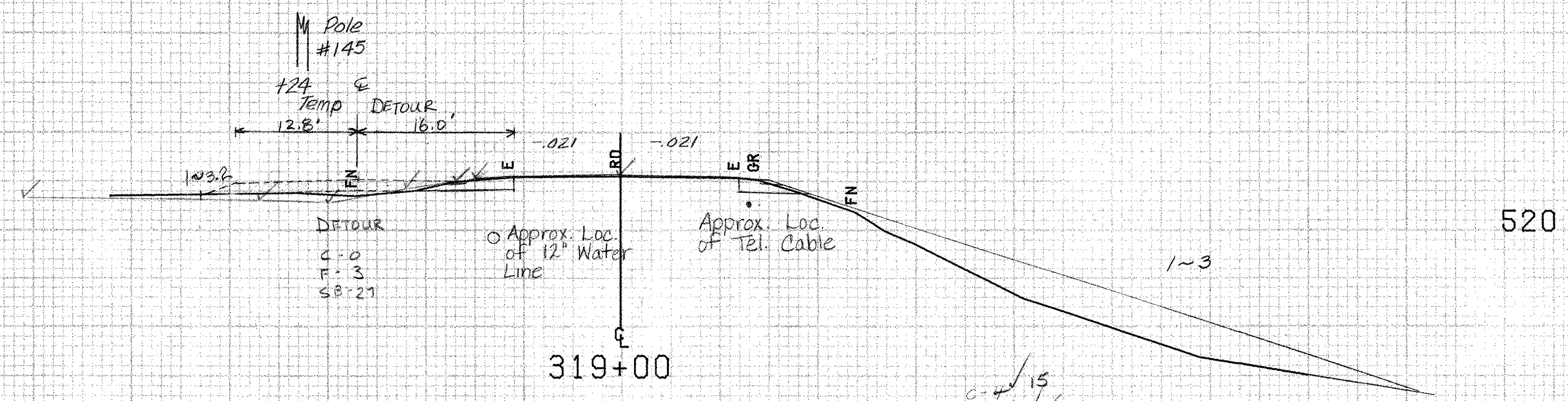
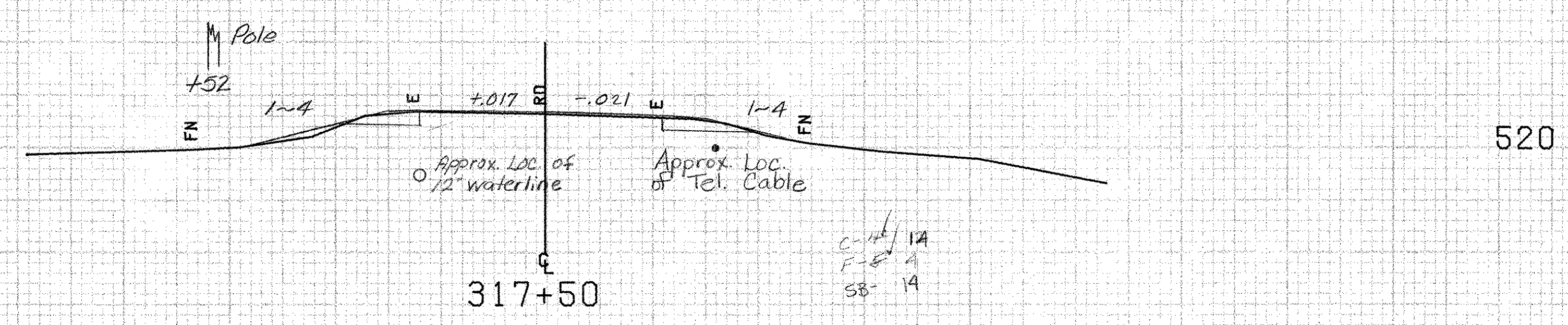


Station	Elevation
-17	524.9
-21	524.2
-27	523.0
-33	523.9
-43	523.7
-39	524.9
-17	524.9

Station	Elevation
-15	524.4
-19	524.2
-23	522.9
-25	522.7
-27	522.7
-26	524.4
-15	524.4



317+75 Lt.
Begin Construction of
Temporary Detour



BRIDPORT MM 5.68 ~ MM 6.10

FROM STA.	317+50	TO STA.	319+00
PROJECT NAME	SHOREHAM-BRIDPORT-ADDISON		
NO.	F017-1(2)	PLOTTED	02/28/84
SURVEYED BY	FANTONI	FEBRUARY 84	
SHEET	377 OF 420 SHEETS	SHEET	377 OF 477

SCALE 1" = 10 FEET