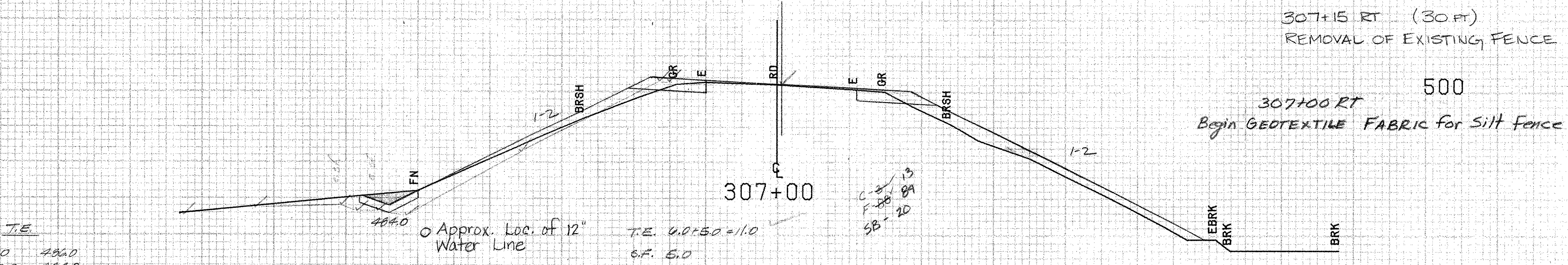
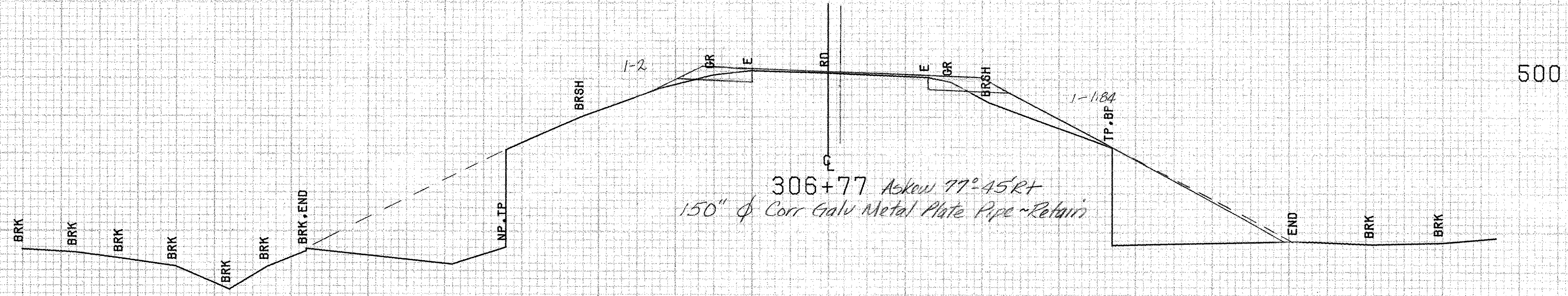


STATION	ELEVATION
50.0	486.0
55.0	484.0
58.0	483.2
59.0	486.0



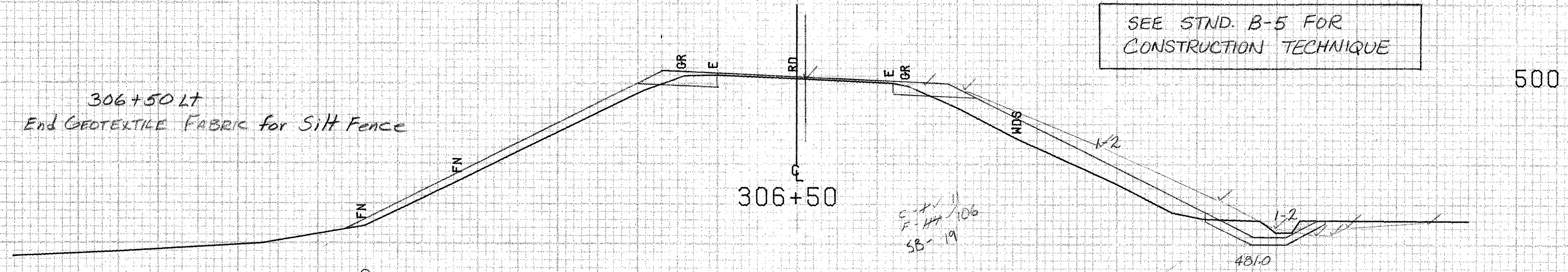
306+70 LT  
Begin Special Ditch w/ Stone Fill, Type I



306+77 Askew 77° 45' RT  
150"  $\phi$  Corr Galv Metal Plate Pipe - Retain

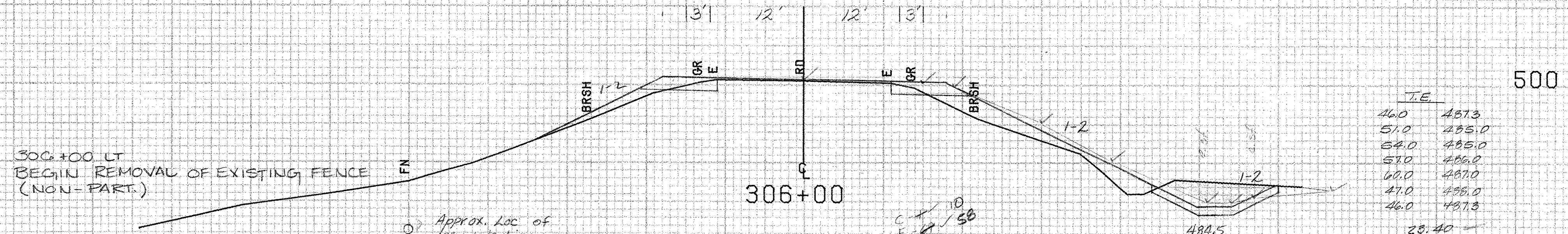
SEE STND. B-5 FOR CONSTRUCTION TECHNIQUE

306+50 LT  
End GEOTEXTILE FABRIC for Silt Fence



306+50 RT  
ZERO S.F.  
WE/5.23.72

306+00 LT  
BEGIN REMOVAL OF EXISTING FENCE (NON-PART.)



STATION	ELEVATION
46.0	487.3
51.0	485.0
54.0	485.0
57.0	486.0
60.0	487.0
61.0	485.0
66.0	487.3

BRIDPORT MM 5.68 ~ MM 6.10

FROM STA.	306+00	TO STA.	307+00
PROJECT NAME	SHOREHAM-BRIDPORT-ADDISON		
NO.	F017-1(2)	PLOTTED	02/28/84
SURVEYED BY	FANTONI	FEBRUARY	84
SHEET	370 OF 420 SHEETS	SHEET	370 OF 477

SCALE 1" = 10 FEET