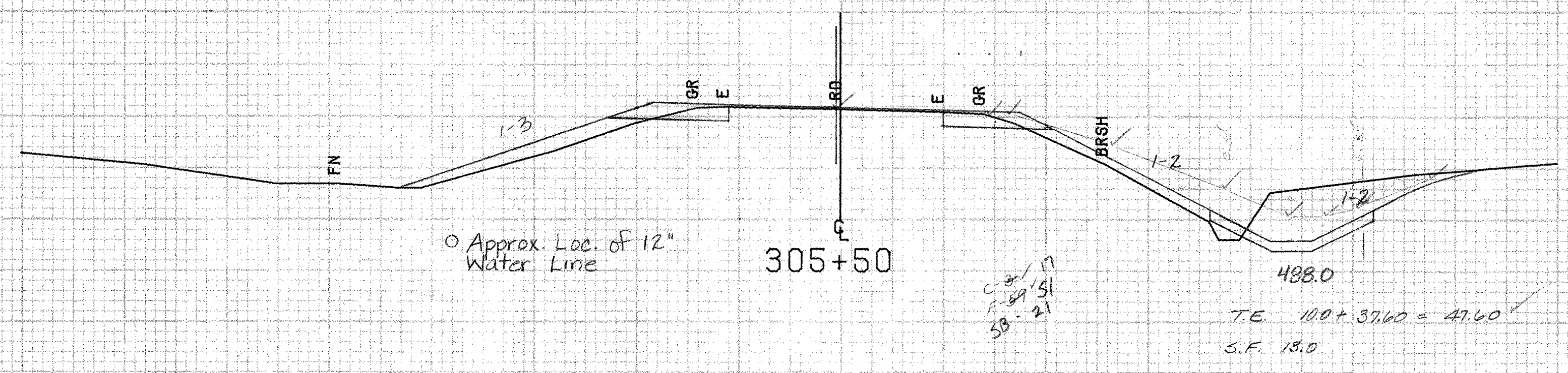


Scale: 10' vertical, 10' horizontal

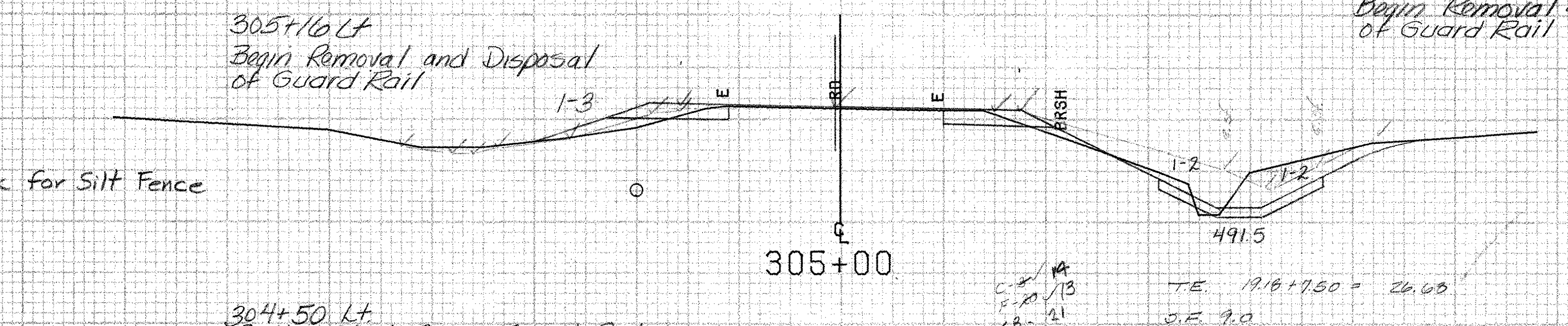


T.E.	
41.0	491.5
44.0	490.2
48.0	490.7
51.0	491.1
58.0	494.1
66.0	494.6
72.0	492.7
41.0	491.5
87.60	

305+00 LT
Begin GEOTEXTILE FABRIC for Silt Fence

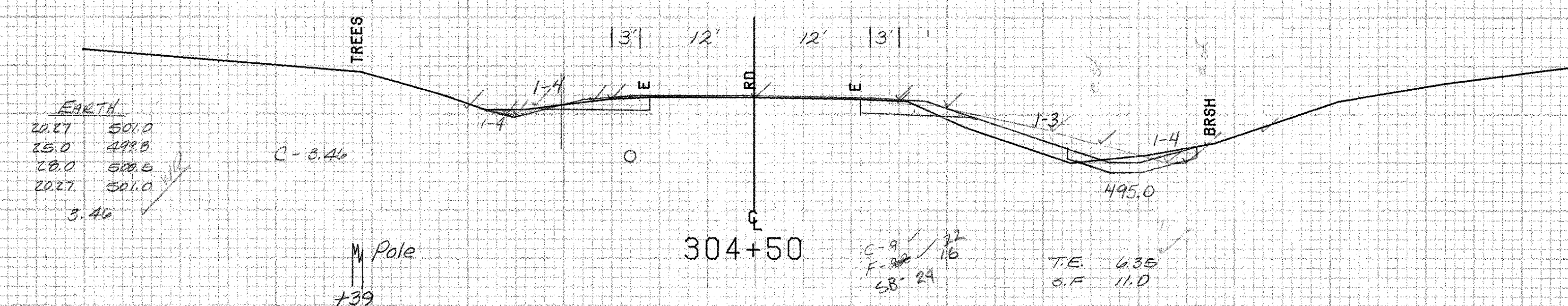
305+16 LT
Begin Removal and Disposal of Guard Rail

305+00 RT
Begin Removal & Disposal of Guard Rail



T.E.	
89.5	494.3
42.0	493.3
43.0	493.3
47.0	495.2
53.0	495.5
40.0	495.0
39.5	494.3
19.18	

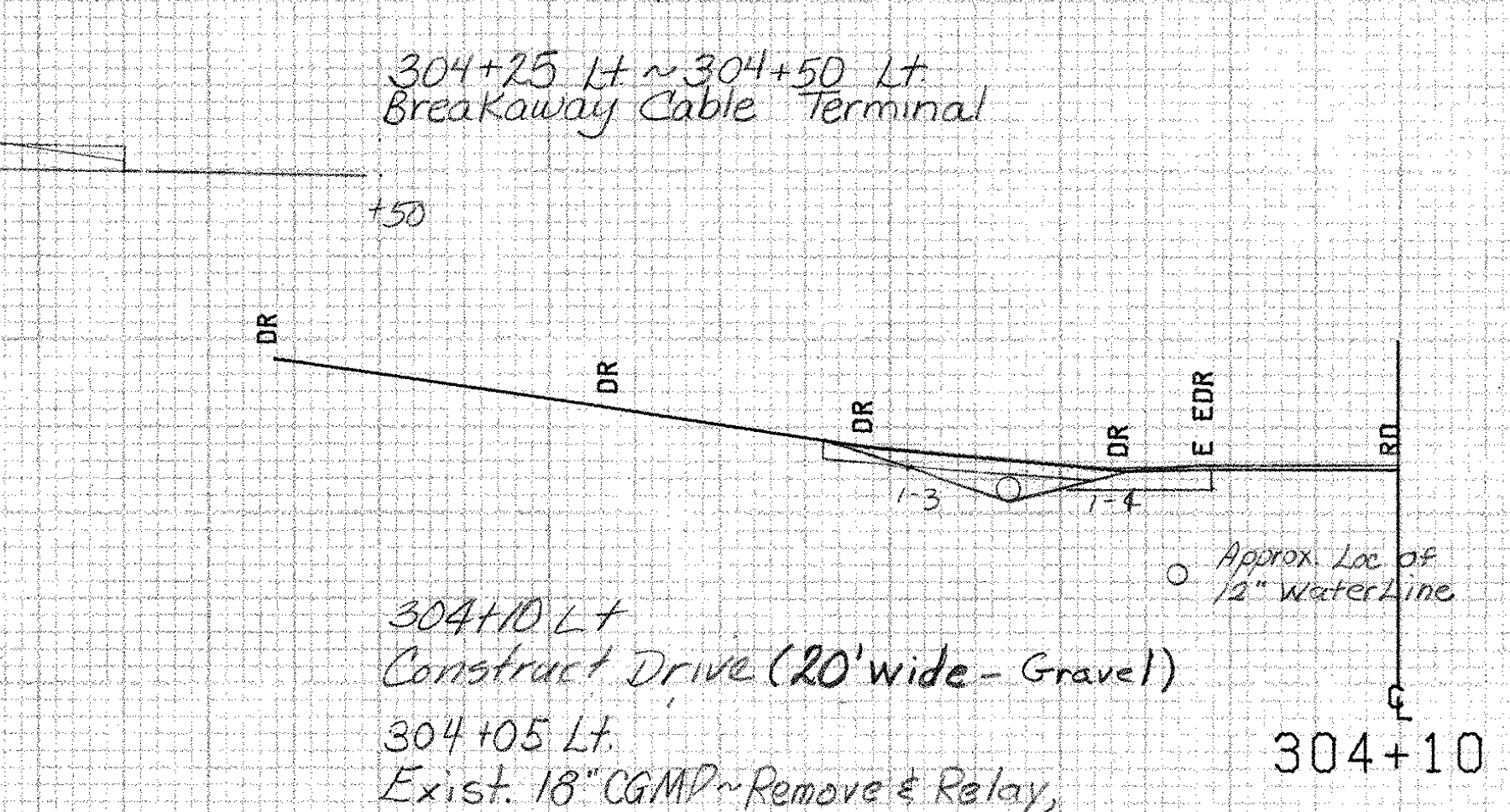
304+50 LT
Begin Steel Beam Guard Rail



T.E.	
40.0	495.6
43.0	495.0
45.0	495.0
47.0	496.9
40.0	495.0
6.35	

304+25 LT ~ 304+50 LT
Breakaway Cable Terminal

304+10 LT
Construct Drive (20' wide - Gravel)
304+05 LT
Exist. 18" CGMP - Remove & Relay,
Extend w/ New 18" x 14" CSP (.064)



BRIDPORT MM 5.68 ~ MM 6.10

FROM STA. 304+10	TO STA. 305+50
PROJECT NAME SHOREHAM-BRIDPORT-ADDISON	
NO. F017-1(2)	PLOTTED 02/28/84
SURVEYED BY FANTONI	FEBRUARY 84
SHEET 369 OF 400 SHEETS	SHEET 309 OF 477

SCALE 1" = 10 FEET