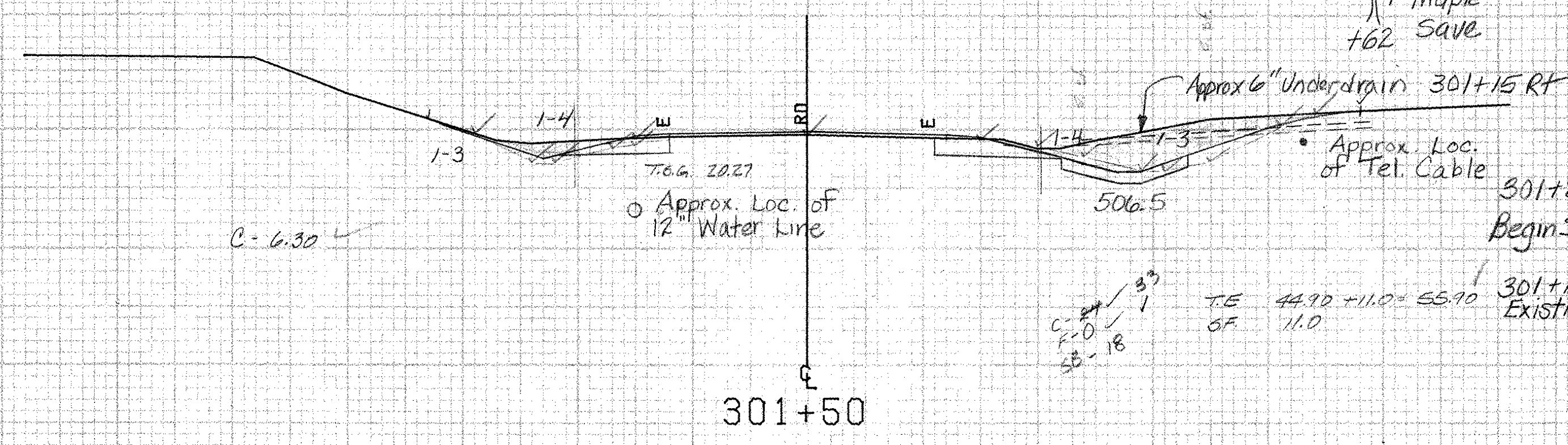
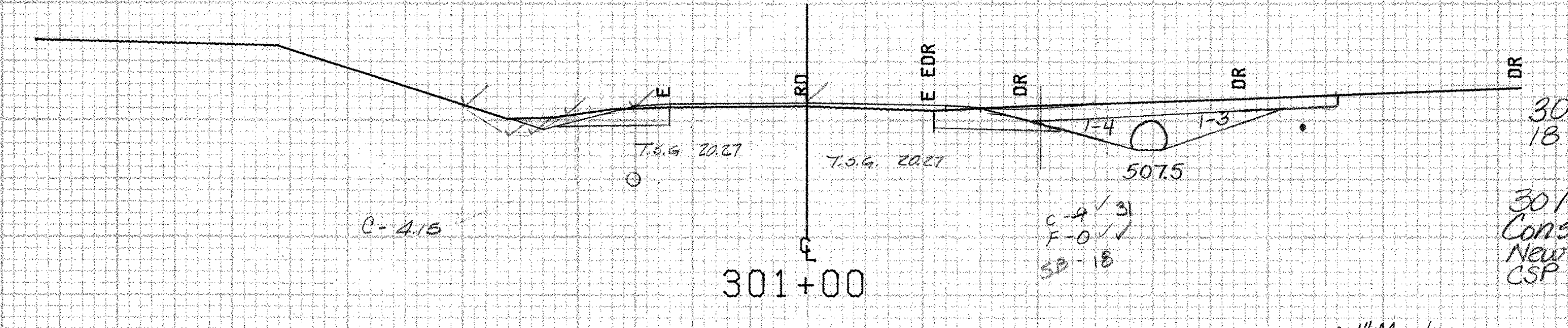


EARTH	
20.27	509.0
20.27	509.2
23.0	507.5
33.0	510.0
27.0	509.0
24.0	508.9
20.27	509.0



T.E.	
21.0	508.4
24.0	507.7
29.0	506.8
41.0	510.1
44.0	511.2
33.0	511.0
22.0	508.4
21.0	508.4

EARTH	
20.27	510.6
20.27	510.0
23.0	509.2
26.0	510.1
20.27	510.6

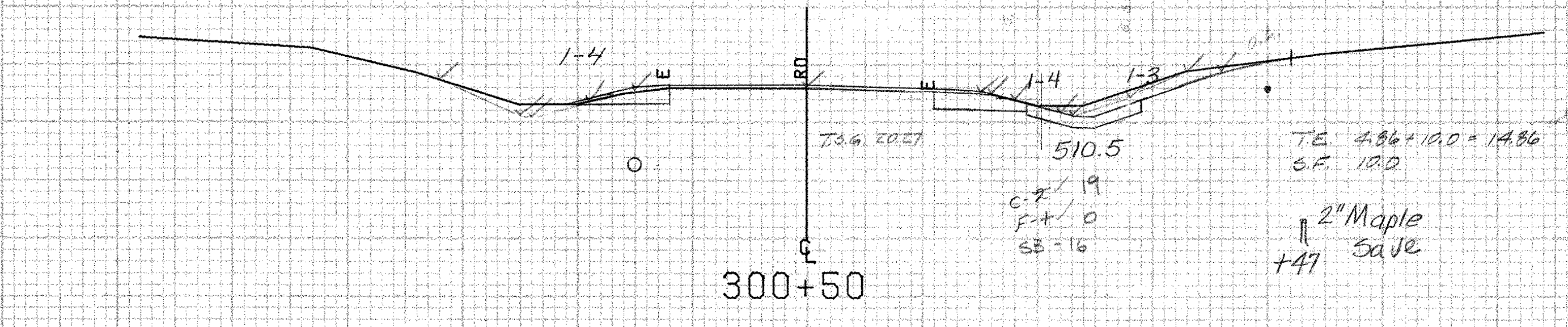


301+02 RT
18" CGMP ~ Remove

301+02 RT
Construct Drive (16' Wide - Gravel)
New 42" x 24" x 44" CSP Arch (079) w/
CSP Arch End Section

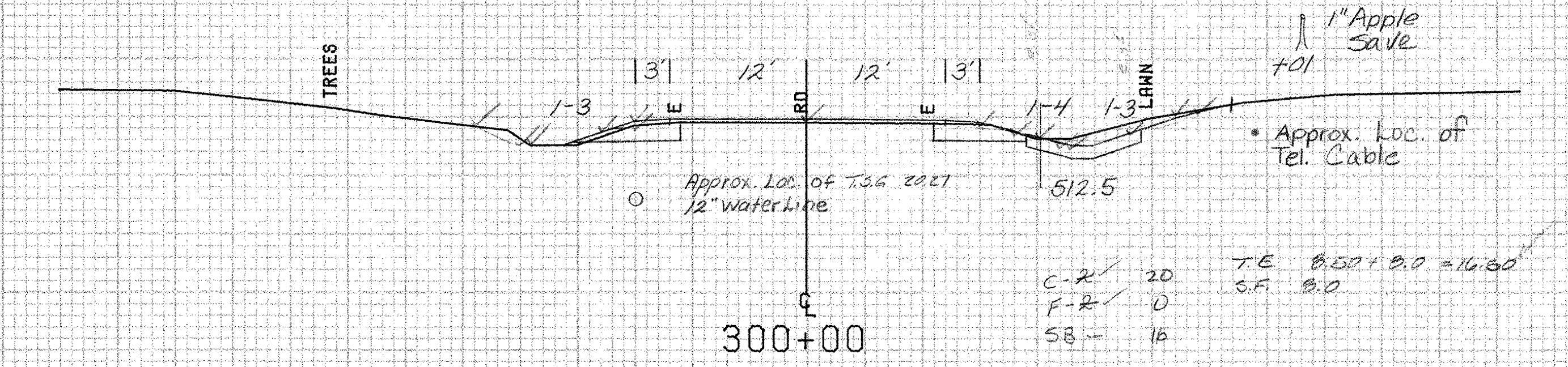
300+86 RT
End Special Ditch w/ Stone Fill Type I

T.E.	
20.27	511.5
22.0	509.8
23.0	509.8
28.0	512.3
33.0	514.4
24.0	511.5
20.27	511.5



T.E.	
21.0	513.0
23.0	512.5
25.0	512.5
28.0	513.5
32.0	515.0
29.0	515.0
23.0	513.0
21.0	513.0

T.E.	
21.0	513.0
23.0	512.5
25.0	512.5
28.0	513.5
32.0	515.0
29.0	515.0
23.0	513.0
21.0	513.0



BRIDPORT MM 5.68 ~ MM 6.10
SEE SHEET OF

FROM STA.	300+00	TO STA.	301+50
PROJECT NAME	SHOREHAM-BRIDPORT-ADDISON		
NO.	F017-1(2)	PLOTTED	02/28/84
SURVEYED BY	FANTONI	FEBRUARY	84
SHEET	366	OF	420 SHEETS

SCALE 1" = 10 FEET