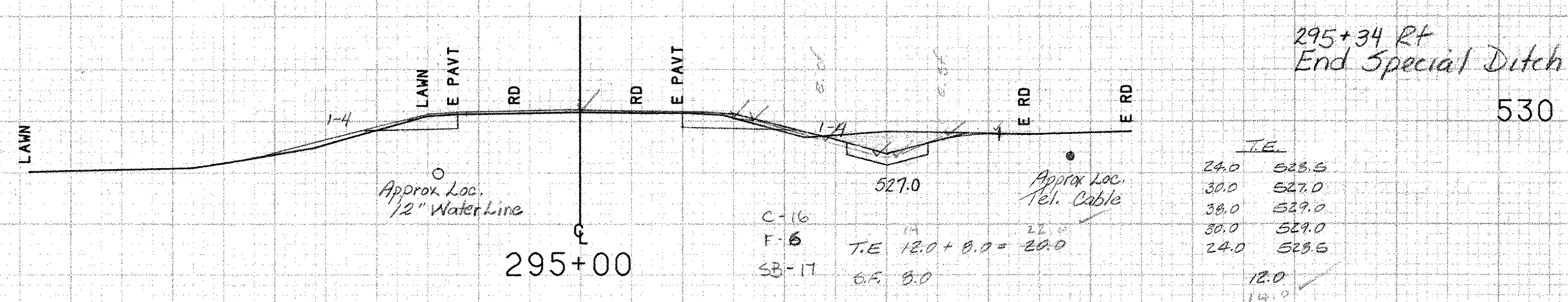
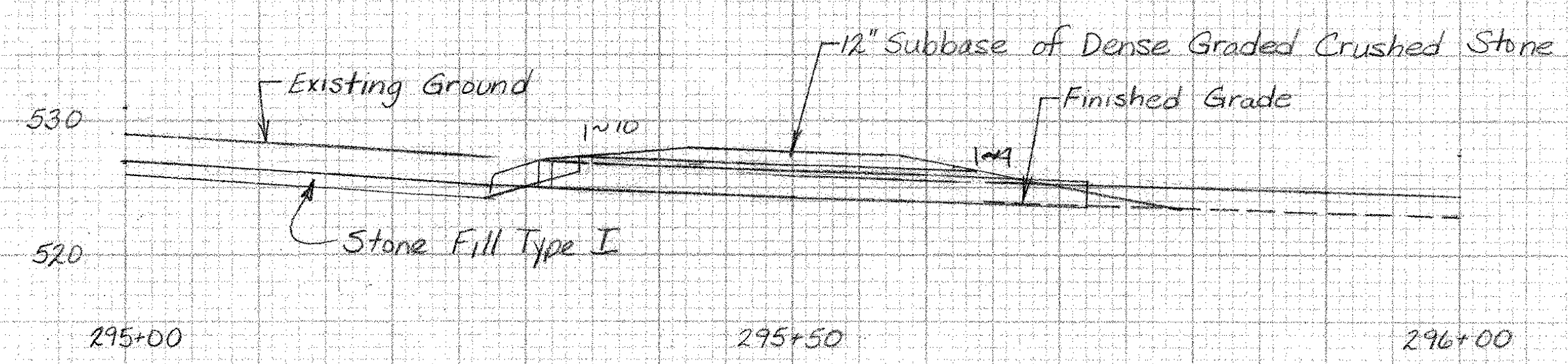


295+70 Rt.
Begin Special Ditch w/ Stone Fill Type I

295+50 Rt.
New 35" x 24" x 40' CSP Arch (0.074)
CSP Arch End Section
Construct Drive (1/6" Gravel)



295+34 Rt.
End Special Ditch w/ Stone Fill Type I

Bridport MM 5.38 ~ MM 5.68

FROM STA.	295+00	TO STA.	297+00
PROJECT NAME	SHOREHAM-BRIDPORT-ADDISON		
NO.	F017-1 (2)	PLOTTED 05/27/88	
SURVEYED BY	MOREAU	05/88	0130
SHEET 364 OF 420	SHEETS	SHEET 30A OF 477	

SCALE 1" = 10 FEET