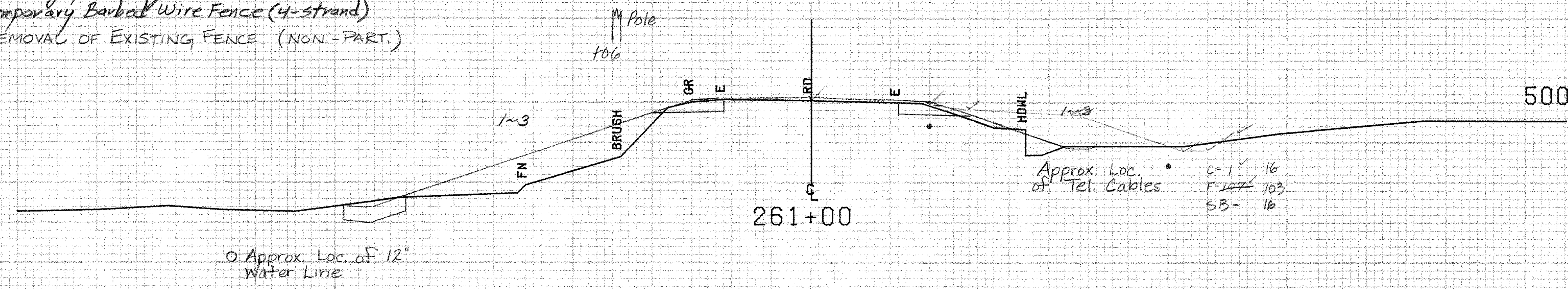
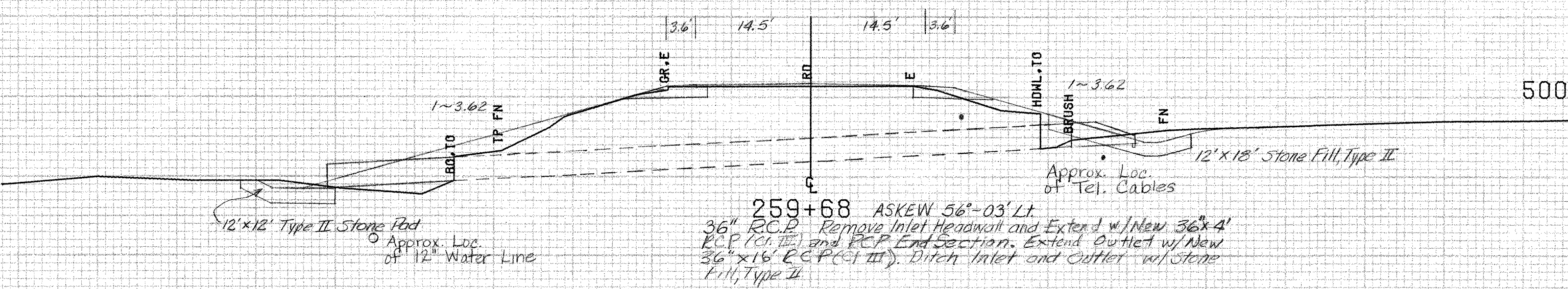
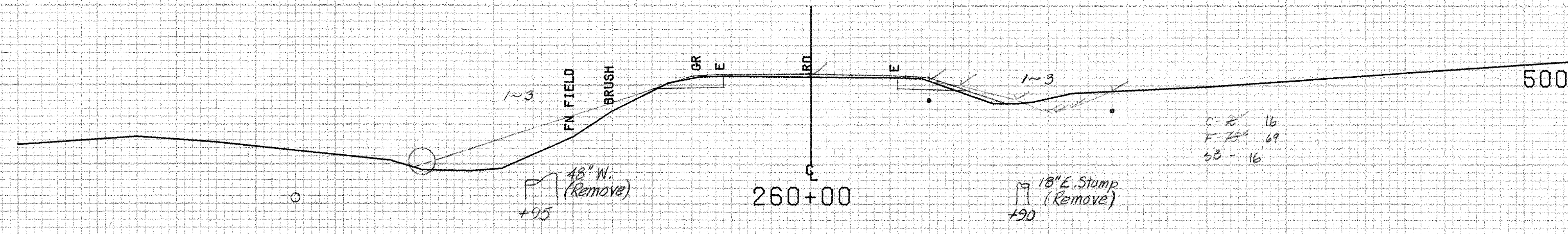
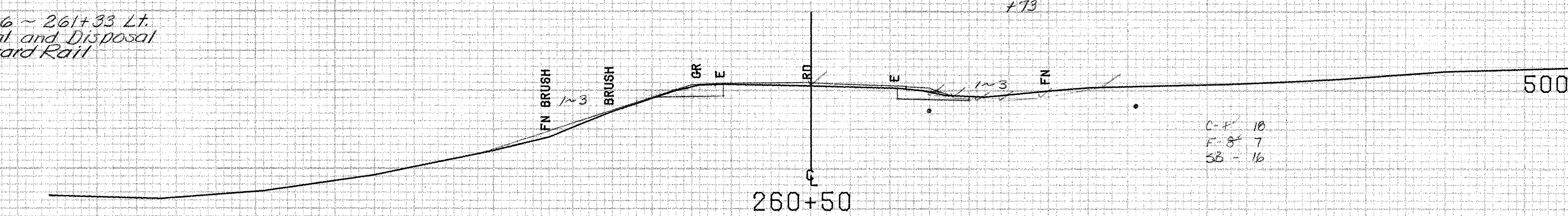
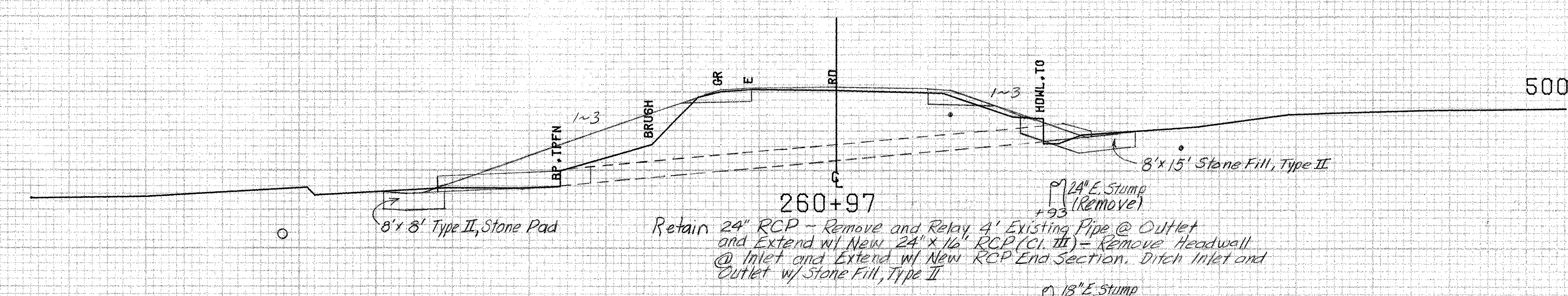


261+40 LT
 End Removing & Resetting Fence
 End Temporary Barbed Wire Fence (4-strand)
 END REMOVAL OF EXISTING FENCE (NON-PART.)

261+45 RT
 END REMOVE AND RESET FENCE
 END TEMPORARY FENCE - BARBED WIRE - 4 STRAND
 END REMOVAL OF EXISTING FENCE



259+66 ~ 261+33 Lt.
 Removal and Disposal
 of Guard Rail



BRIDPORT MM 4.88 - MM 4.96

FROM STA.	259+68	TO STA.	261+00
PROJECT NAME	SHOREHAM-ADDISON MAINS		
NO.	F017-1(2)	PLOTTED	01/09/85
SURVEYED BY	FANTONI	DEC	1984
SHEET	360	OF	420 SHEETS

SCALE 10 FEET