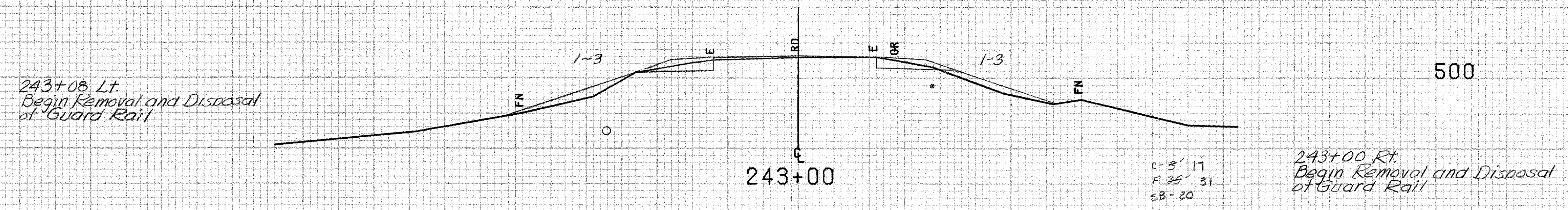
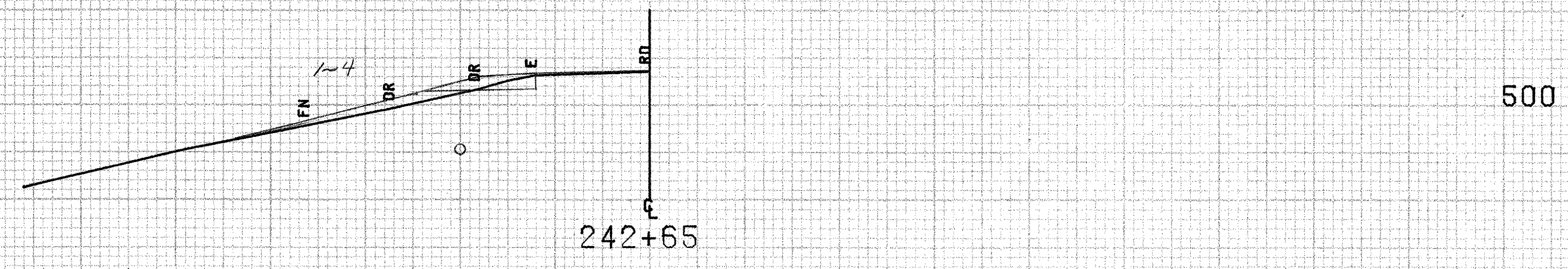


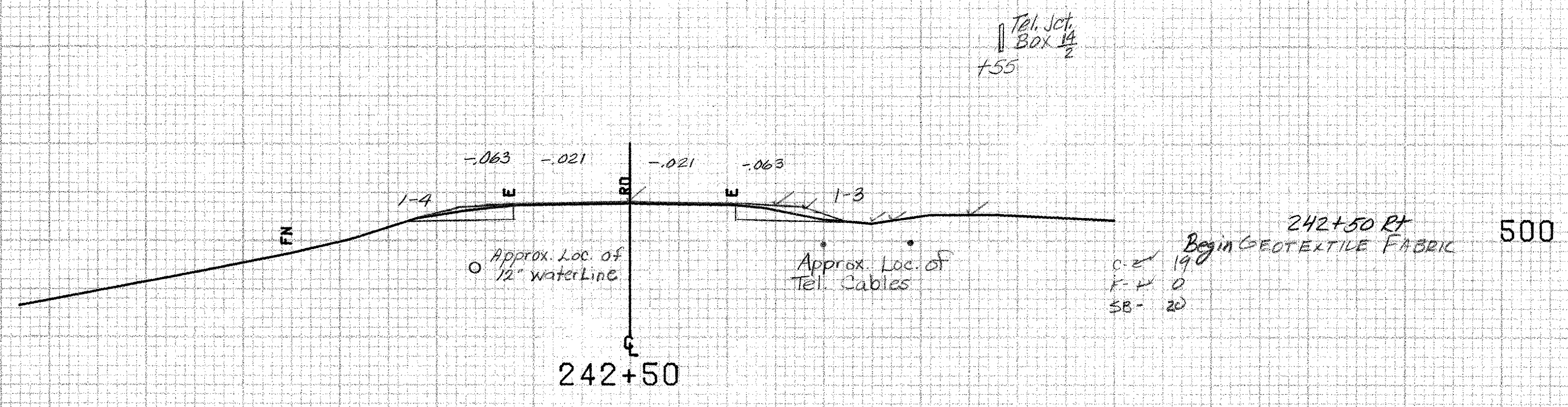
243+20 Lt  
Begin Removing & Resetting fence  
Begin Temporary Barbed Wire fence (4-strand)  
BEGIN REMOVAL OF EXISTING FENCE (NON-PART.)



243+08 Lt  
Begin Removal and Disposal of Guard Rail



242+50 Lt  
Begin GEOTEXTILE FABRIC FOR Silt fence



Tel. Lot Box 14 2  
+55

BRIDPORT MM 4.55 ~ MM 4.73

FROM STA.	242+50	TO STA.	243+50
PROJECT NAME	SHOREHAM-BRIDPORT-ADDISON		
NO.	F017-1(2)	PLOTTED	02/10/84
SURVEYED BY	FANTONI	JAN	1984
SHEET	352	OF	420 SHEETS
		SHEET	354
		OF	477

SCALE 10 FEET