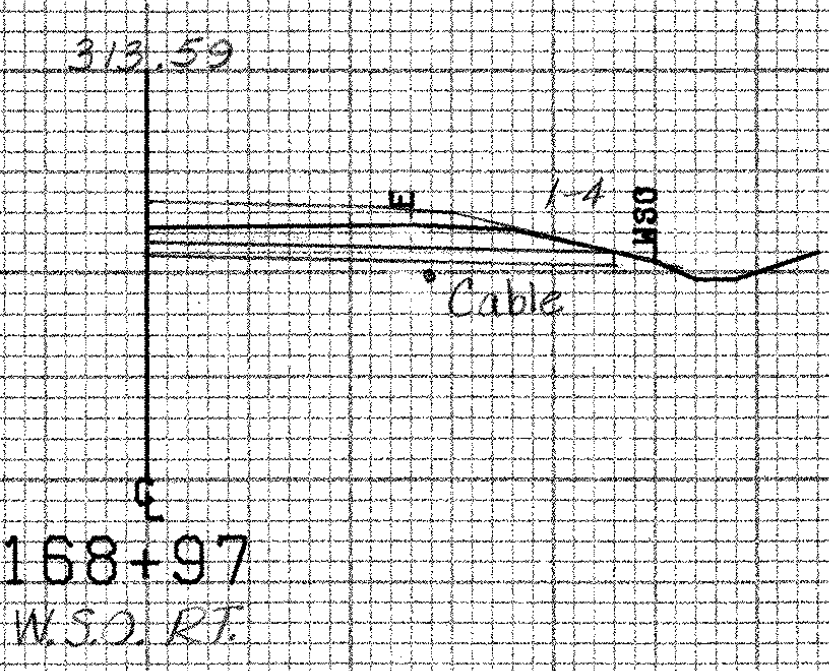


169+00 LT
Begin Shoulder Taper (8'-3")
(See Detail ~ Sheet 314 of 420)

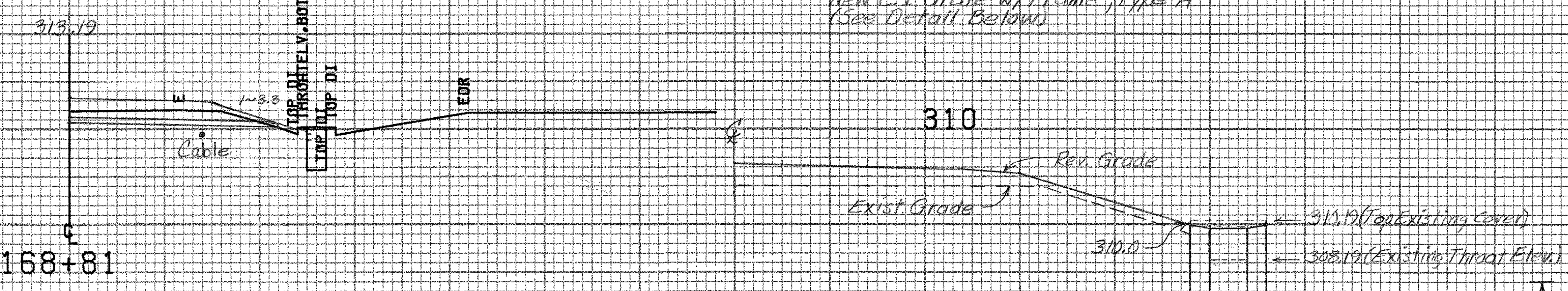
169+00
W.S.O. RT.



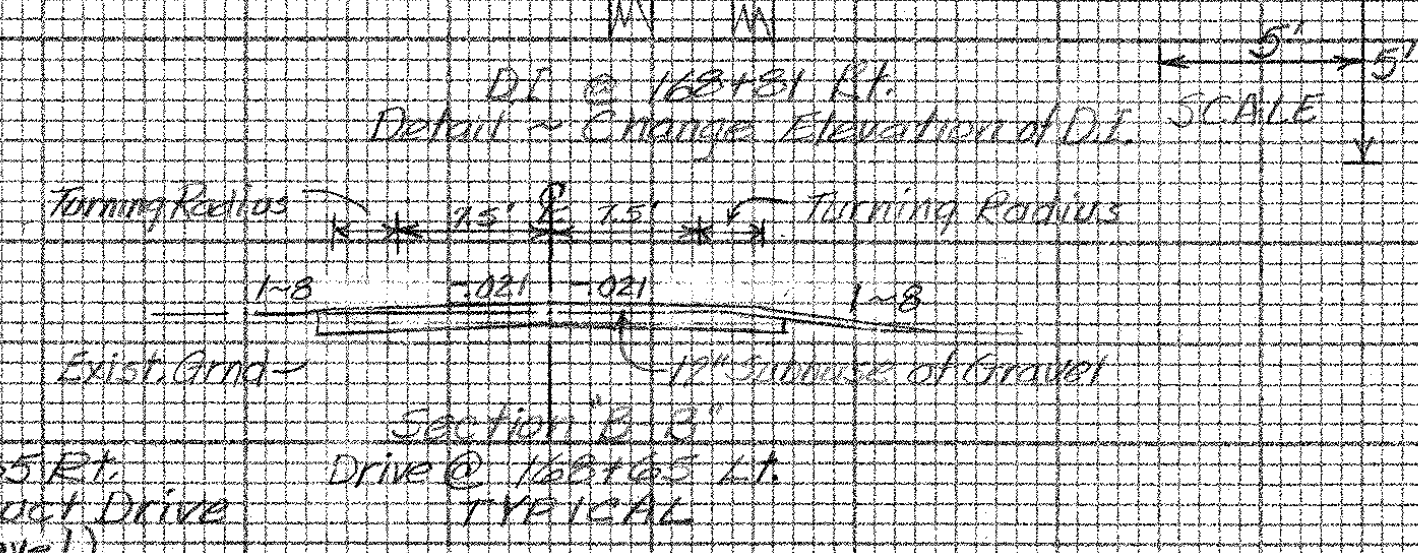
168+97
W.S.O. RT.

Pole
187 3/4"

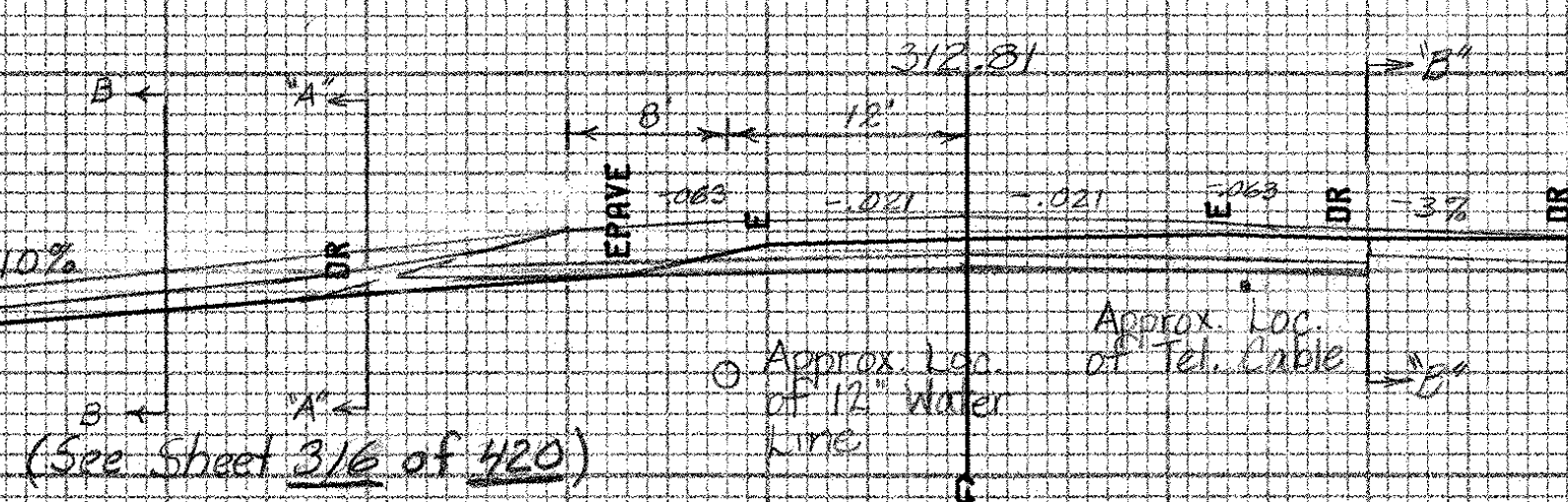
168+81 RT
Change Elevation of Existing DI.
New C.I. Gate w/ Frame, Type A
(See Detail Below)



168+81



168+65 LT
Construct Drive
(20\"/>



168+65
DRIVES ~ LT & RT.

BRIDPORT MM 2.94 ~ MM 3.54

FROM STA.	168+65	TO STA.	169+00
PROJECT NAME	SHOREHAM-BRIDPORT-ADDISON MAIN		
NO.	F017-1(2)	PLOTTED	04/11/85
SURVEYED BY	BUSHEY	FEB 1985	
SHEET	317	OF 420 SHEETS	DRAWN 317 04-77

SCALE 10 FEET