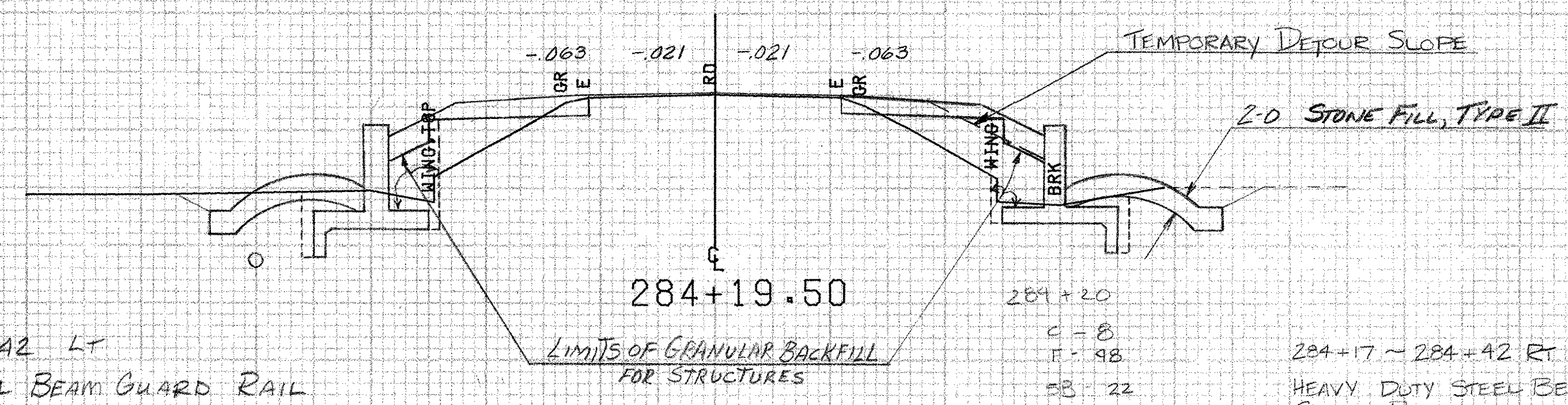


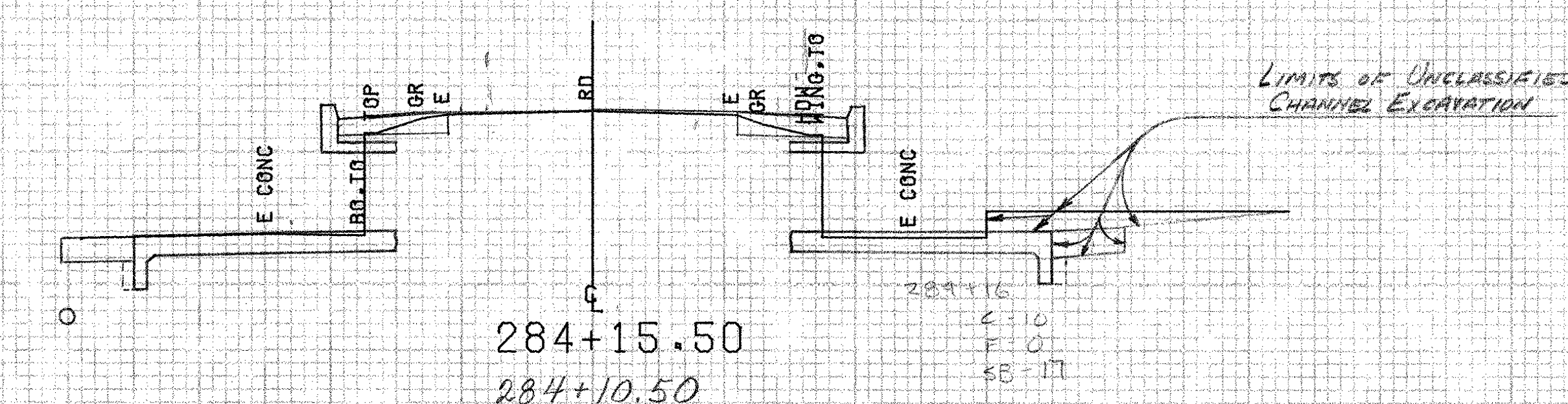
284+42 LT  
BEGIN STEEL BEAM GUARD RAIL

284+42 RT  
BEGIN STEEL BEAM GUARD RAIL



284+17 ~ 284+42 LT  
HEAVY DUTY STEEL BEAM GUARD RAIL

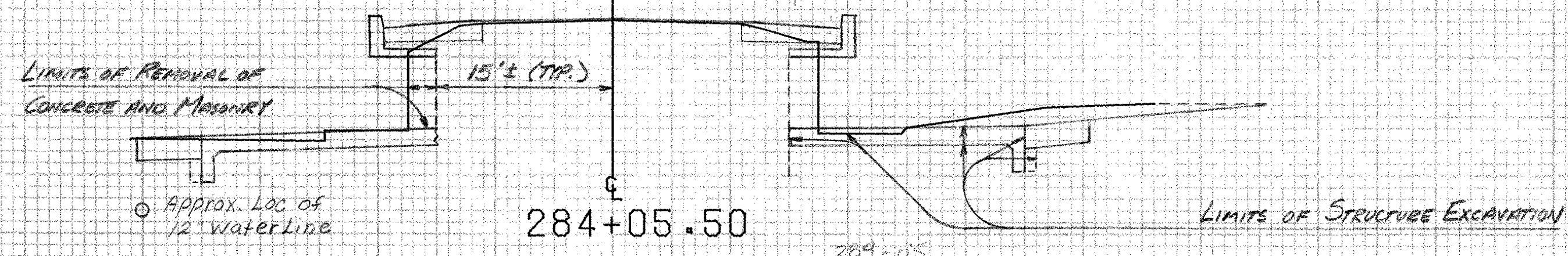
284+17 ~ 284+42 RT  
HEAVY DUTY STEEL BEAM GUARD RAIL



284+04.25 ~ 284+16.75 LT  
BRIDGE RAILING - HD SB / FASCIA MOUNTED

284+10.50  
10'x6' RC BOX BR #18  
Retain Existing RC Box Remove Wingwalls & Extend to 4.33' fascia to fascia & Replace Wingwalls  
(See BR 200)

284+04.25 ~ 284+16.75 RT  
BRIDGE RAILING - HD SB / FASCIA MOUNTED



FOR TEMPORARY DETOUR SEE BR 200 SERIES

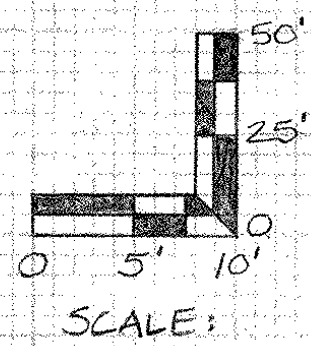
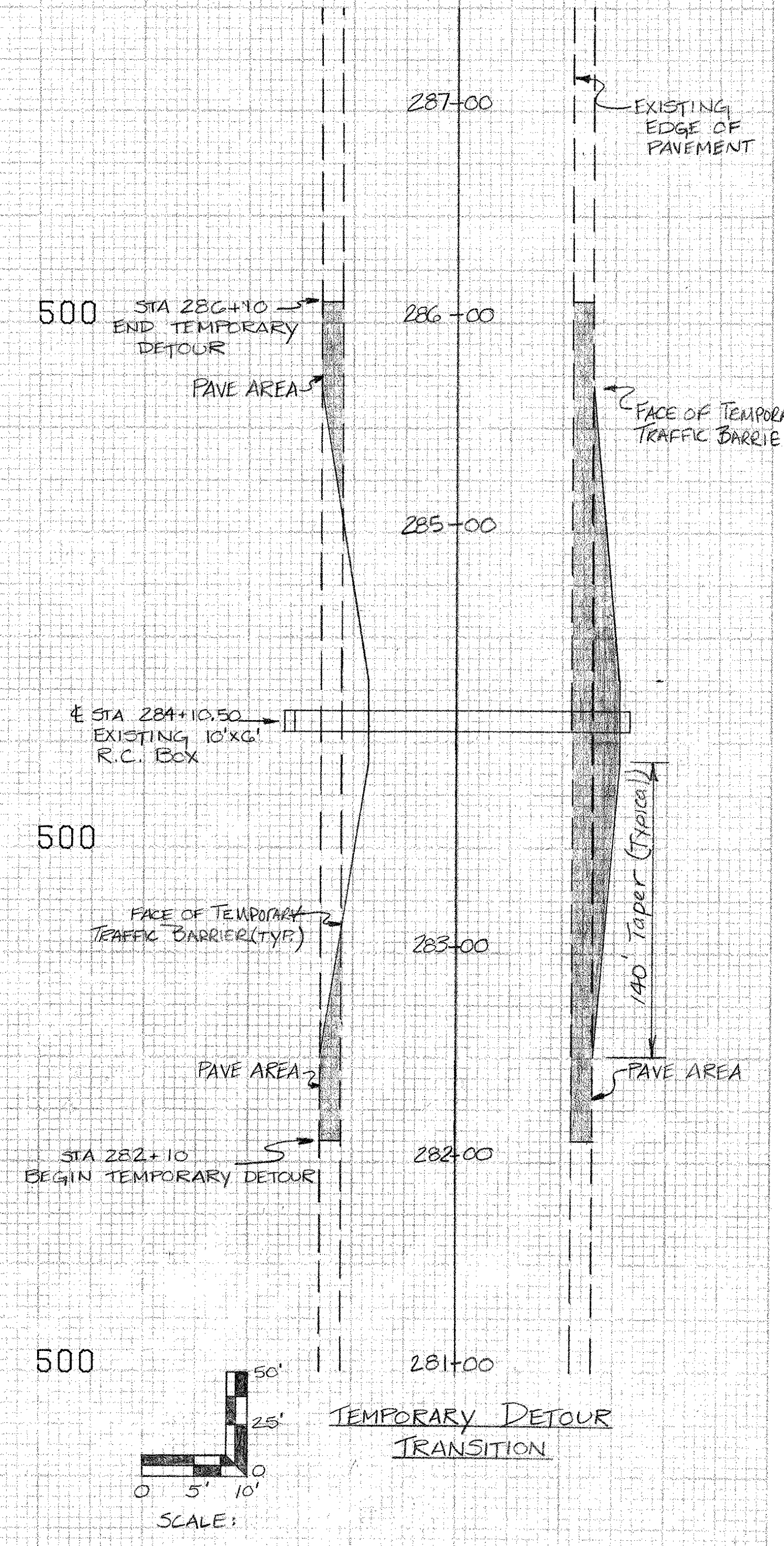
284+05  
C-11  
F-10  
SB-17

500

500

500

500



FROM STA.	284+05.50	TO STA.	284+50
PROJECT NAME	SHOREHAM-BRIDPORT-ADDISON		
NO.	F017-1(2)	PLOTTED	02/10/84
SURVEYED BY	FANTONI	JAN	1984
SHEET	301	OF 420	SHEETS
			SHEET 301 OF 477

BRIDPORT MM 2.53 ~ MM 2.64  
SCALE 1" = 10 FEET