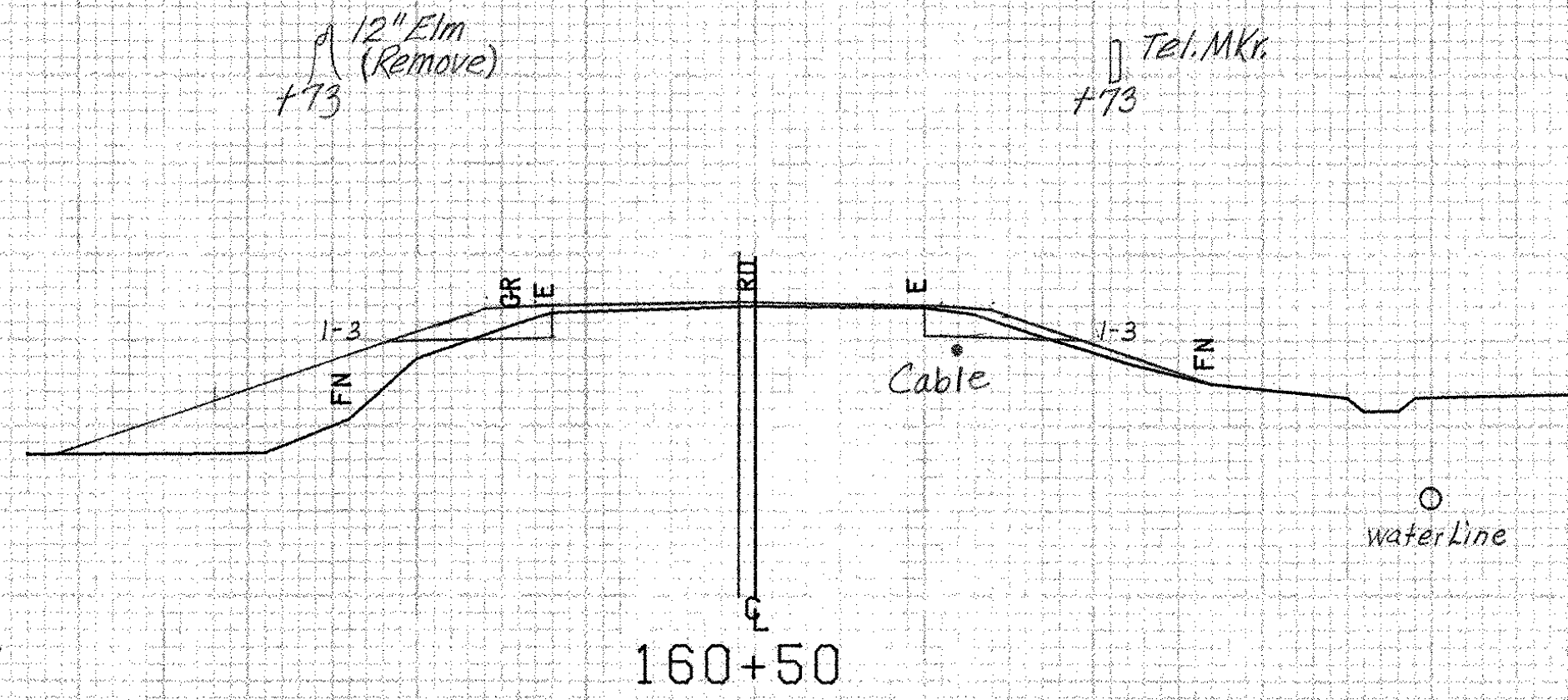
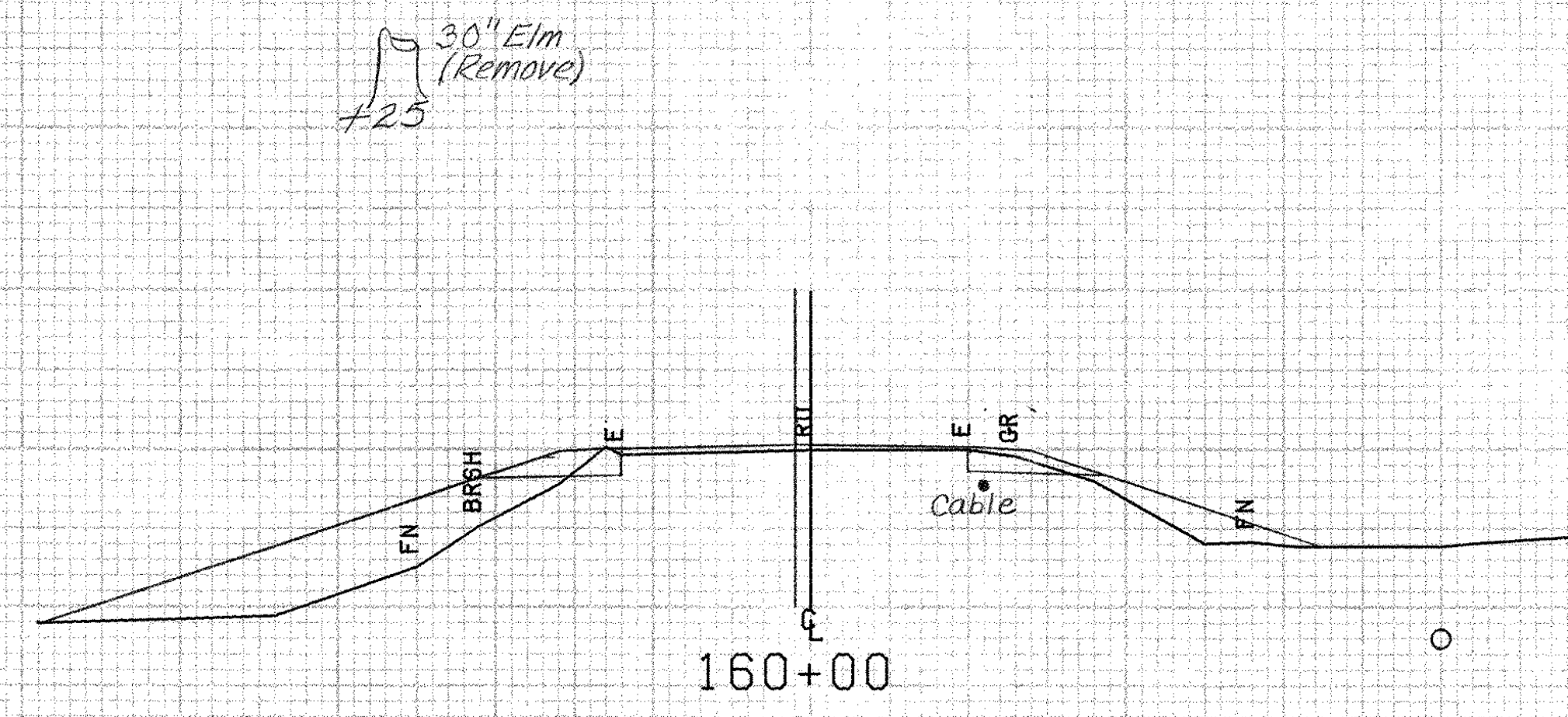


160+47 Lt.
End Removal & Disposal
of Guard Rail

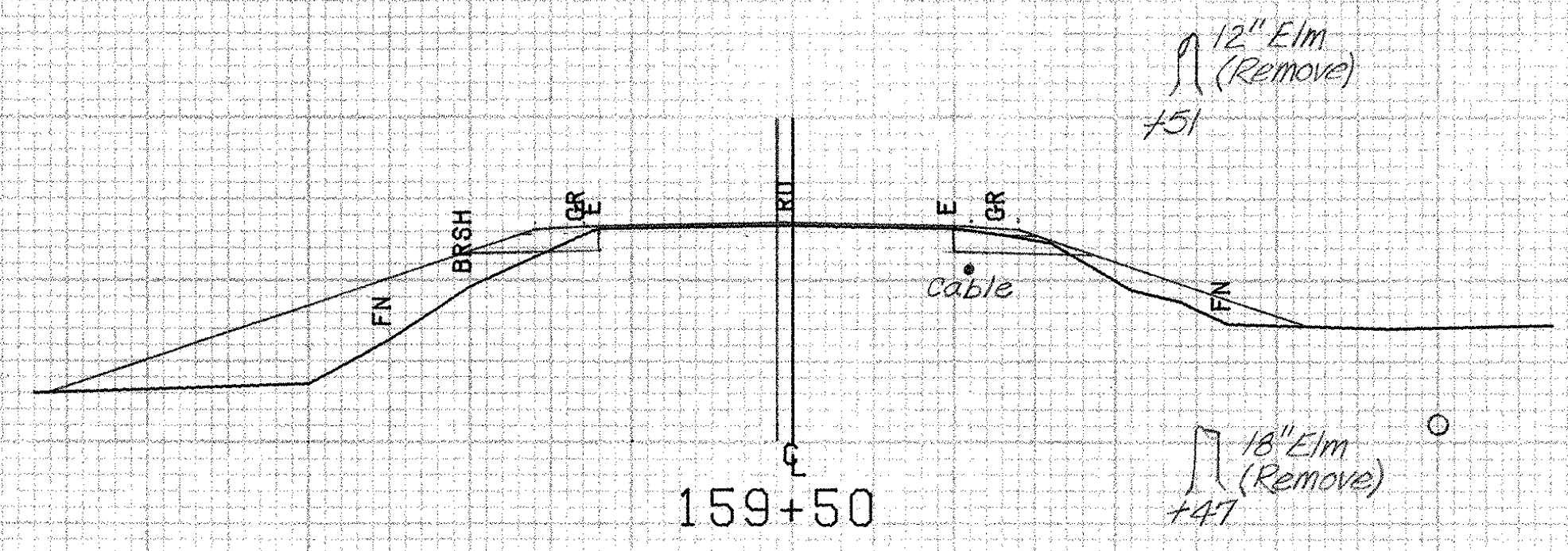


470

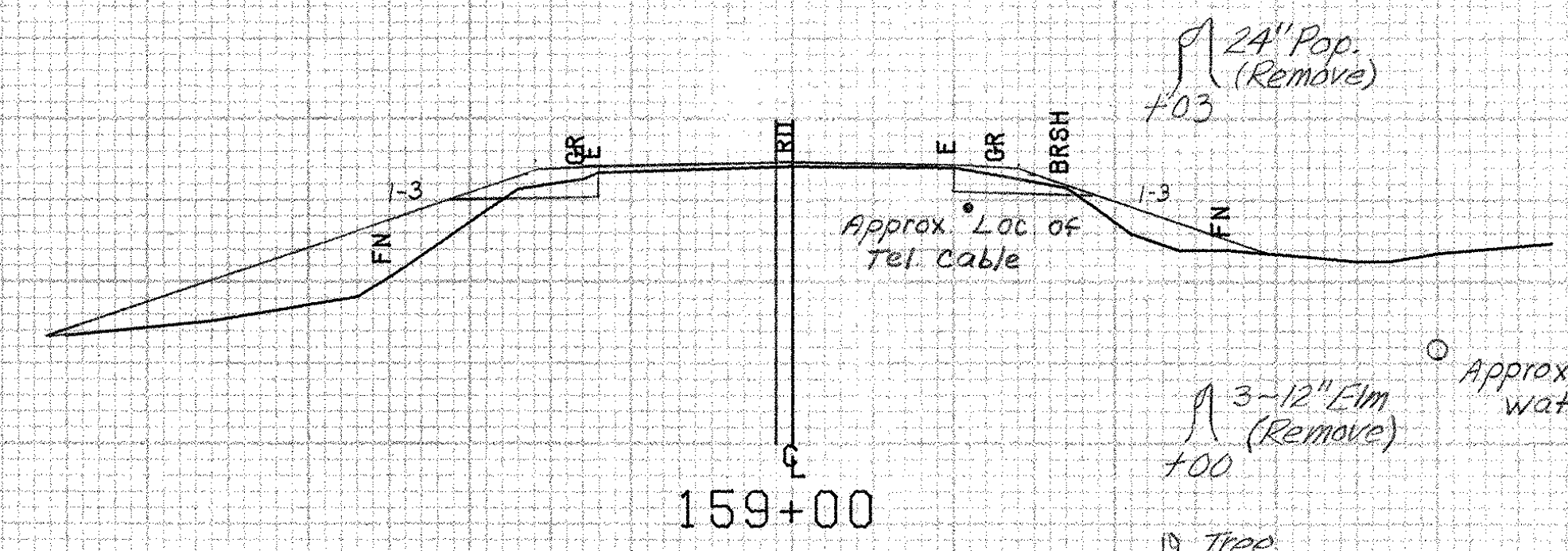
160+23 Rt.
End Removal & Disposal
of Guard Rail



480



480



480

BRIDPORT MM 0.18 ~ MM 0.29

FROM STA.	159+00	TO STA.	160+50
PROJECT NAME	SHOREHAM-BRIDPORT-ADDISON		
NO.	F017-1(2)	PLOTTED	02/10/84
SURVEYED BY	FANTONI	JAN	1984
SHEET	287 OF 420 SHEETS	SHEET	227 OF 477

SCALE 1" = 10 FEET