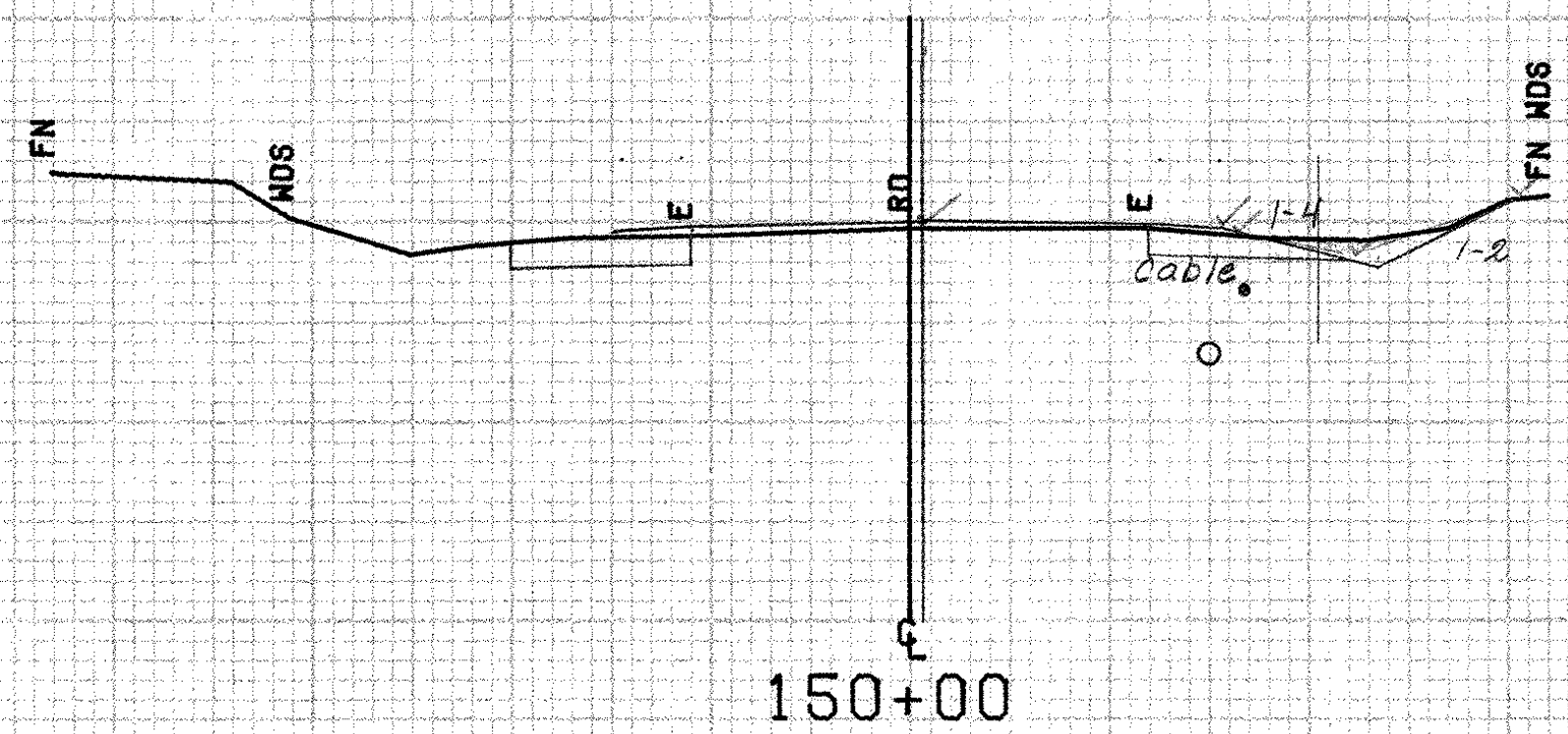


C-16/39  
F-0'  
SB - 15.5

550

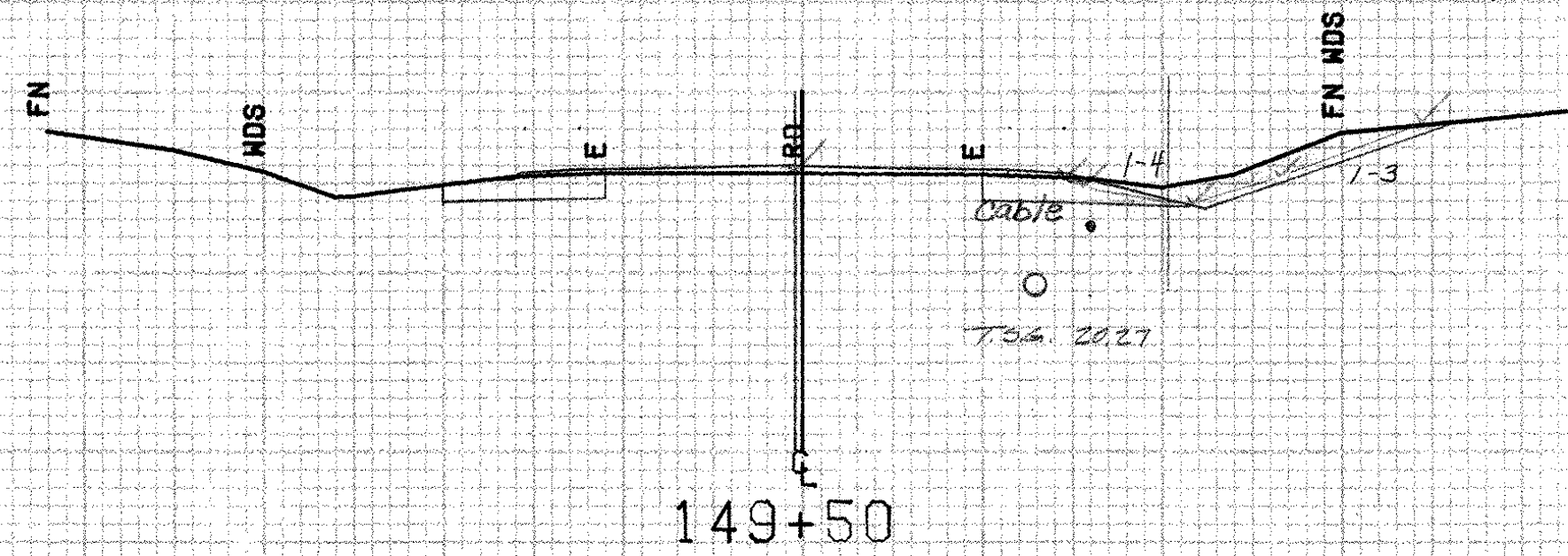
EARTH	
20.27	552.0
22.0	551.7
24.0	552.6
31.0	554.5
29.0	554.5
26.0	553.9
22.0	553.0
20.27	553.0
20.27	552.0



C-10/31  
F-0'  
SB - 11.5

540

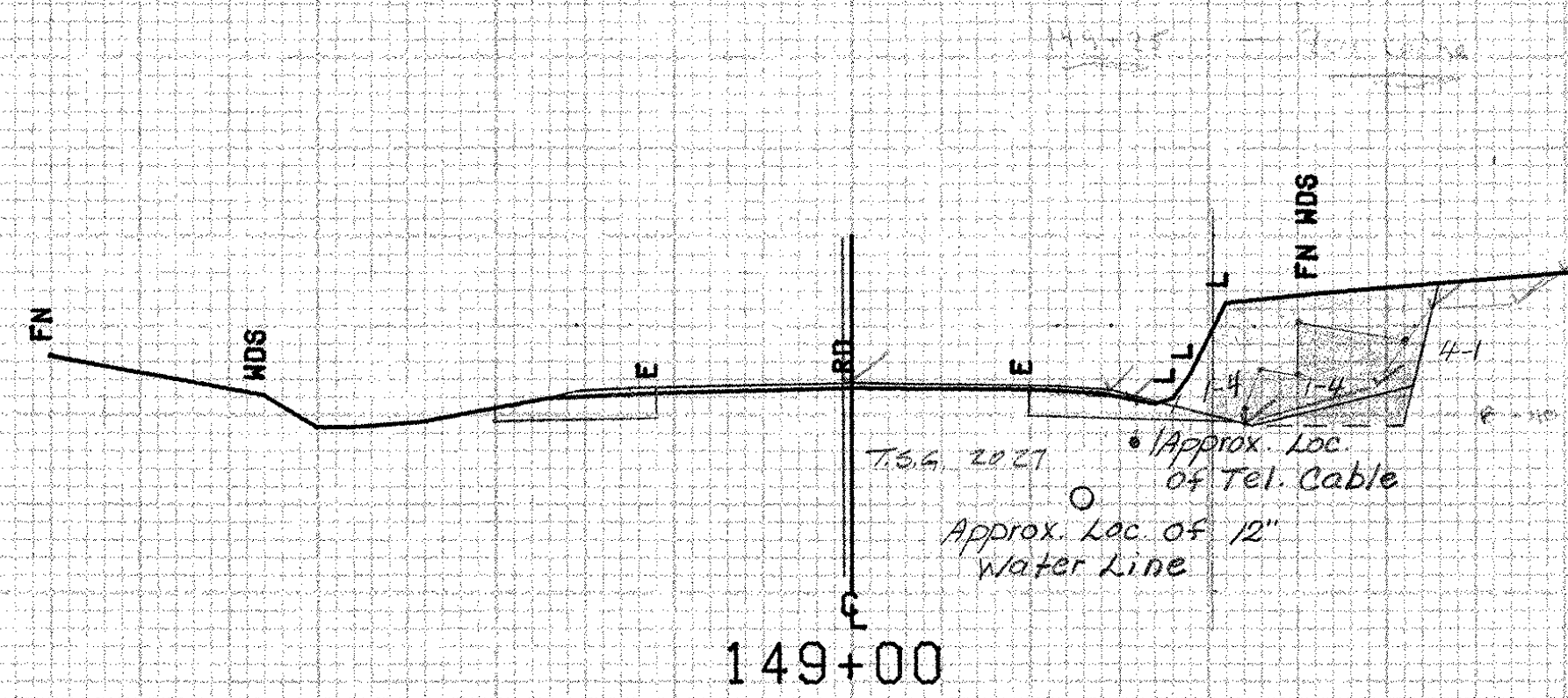
EARTH	
20.27	546.6
22.0	546.4
23.0	549.4
23.0	549.0
20.27	546.6



C-25/46  
F-0'  
R-0'  
SB - 16.5

540

EARTH	
20.27	543.9
22.0	543.9
27.0	545.3
34.0	548.2
30.0	549.0
24.0	545.5
20.27	545.0
20.27	543.9



C-93/115  
F-0' + 13' Filler  
R-91' 96"  
SB - 18.5

540

Rock		EARTH	
22.0	537.6	20.27	539.7
22.0	540.8	22.0	540.3
23.0	542.6	22.0	542.6
25.0	542.2	25.0	542.2
25.0	545.2	25.0	545.2
32.0	541.0	32.0	541.0
31.0	539.5	32.5	542.0
22.0	539.5	37.0	546.1
		40.0	546.0
		21.0	544.4
		20.27	545.0
		20.27	539.7

SHOREHAM-BRIDPORT MM 6.17~MM 0.07

FROM STA. 149+00 TO STA. 150+50  
PROJECT NAME SHOREHAM-BRIDPORT-ADDISON  
NO. F017-1(2) PLOTTED 02/10/84  
SURVEYED BY FANTONI JAN 1984  
SHEET 284 OF 420 SHEETS SHEET 284 OF 477

SCALE 1" = 10 FEET