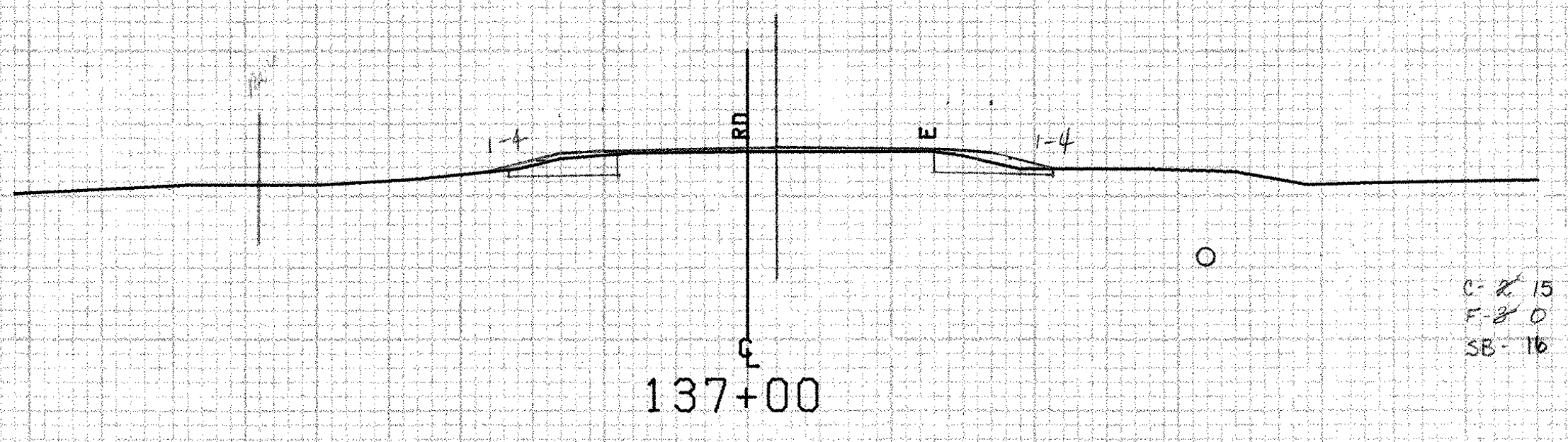
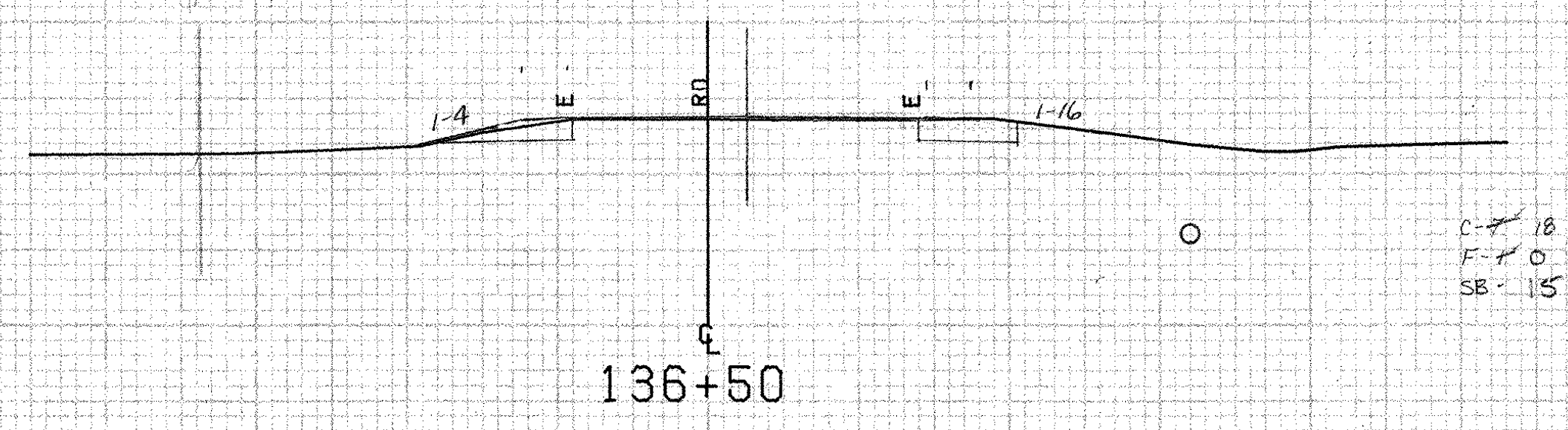


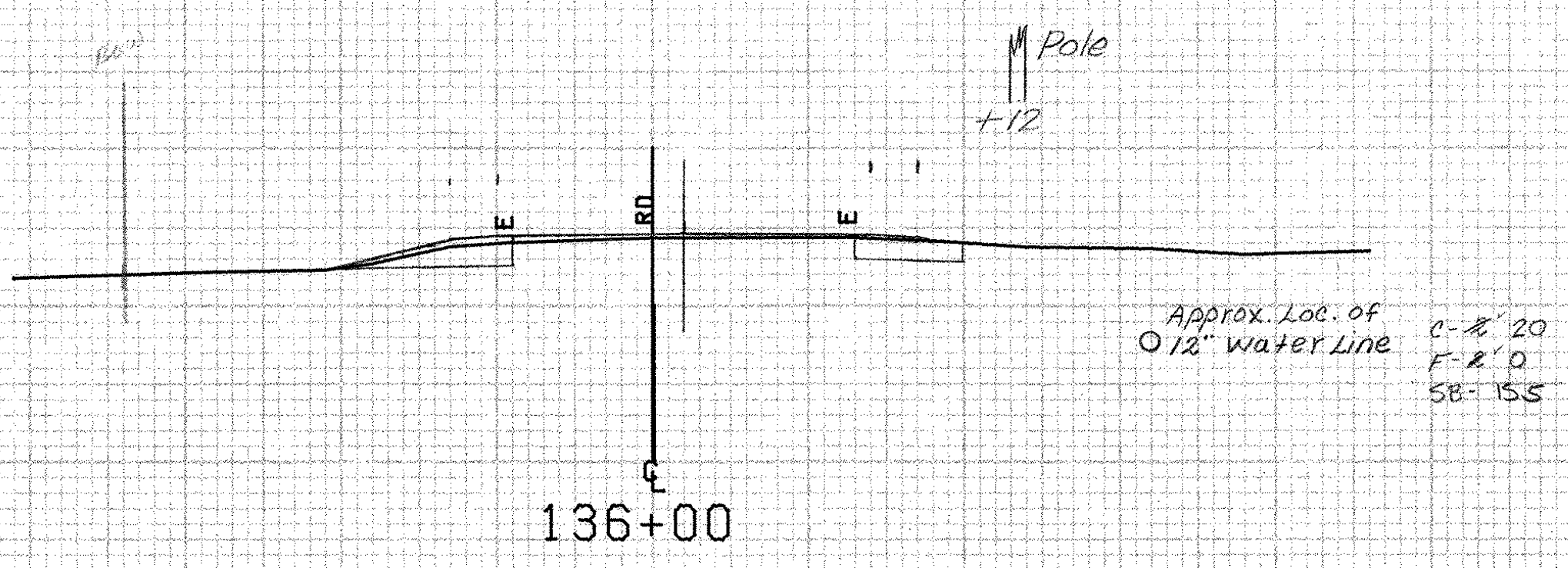
500



500



500



500

SHOREHAM-BRIDPORT MM 6.17 ~ MM 0.07

FROM STA.	136+00	TO STA.	137+50
PROJECT NAME	SHOREHAM-BRIDPORT-ADDISON		
NO.	F017-1(2)	PLOTTED	02/10/84
SURVEYED BY	FANTONI	JAN	1984
SHEET	277	OF	420 SHEETS
		SHEET	277
		OF	477

SCALE 1" = 10 FEET