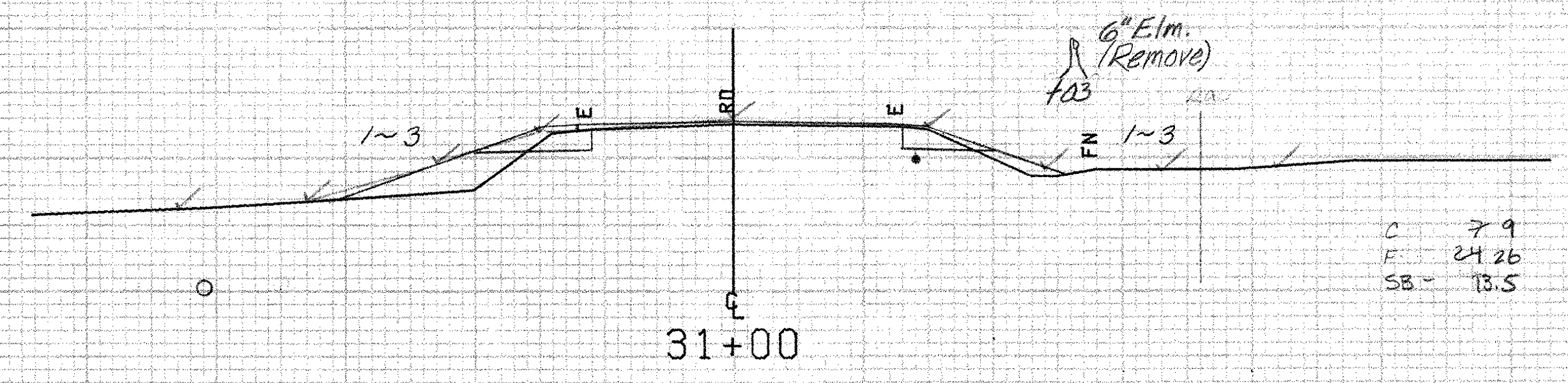
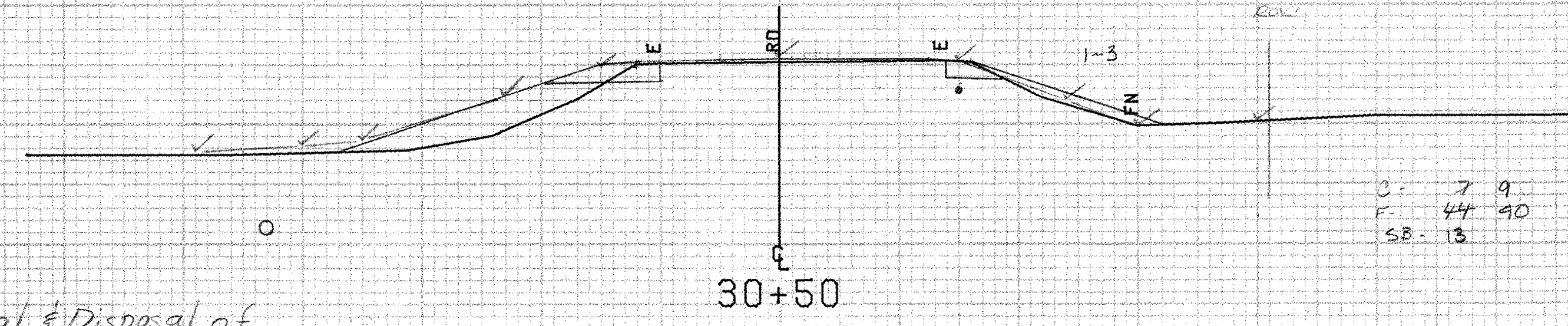


470
31+20 ~ 31+46 Rt
18" CMP - Retain



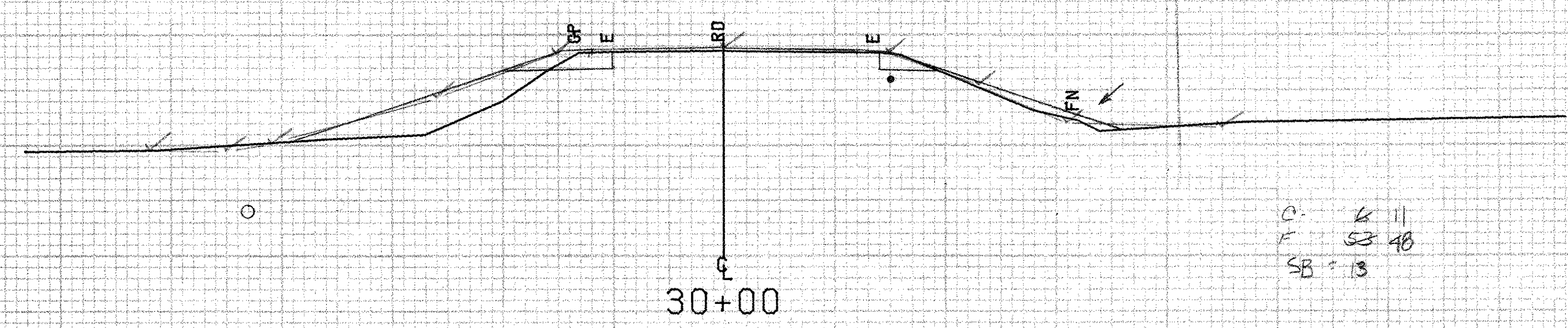
470
31+00 ~ 32+00 Rt
Removing and Resetting Fence
Temporary Barbed Wire Fence (4-strand)

C = 7.9
F = 24.26
SB = 13.5

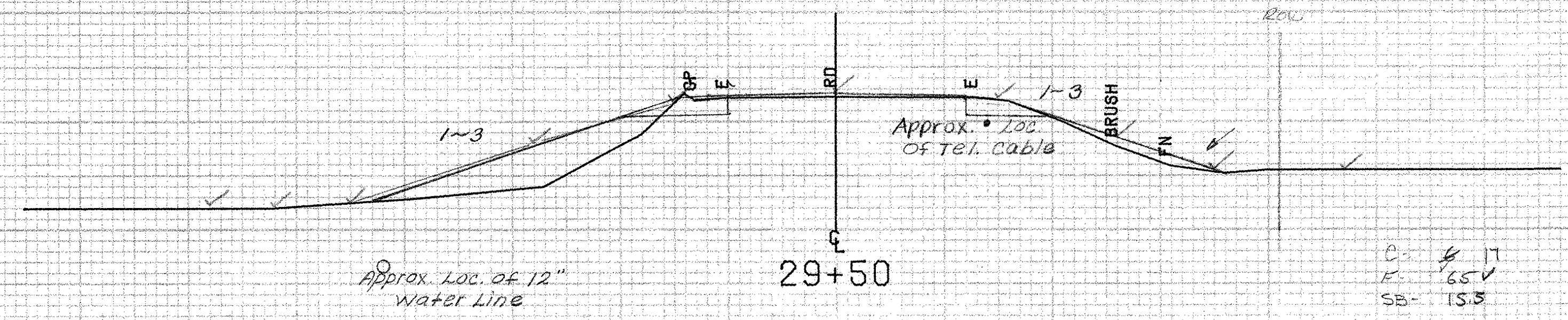


30+47 Lt
End Removal & Disposal of
Guide Posts

C = 7.9
F = 44.90
SB = 13



C = 6.11
F = 53.48
SB = 13



C = 4.17
F = 65.1
SB = 13.5

Shoreham MM 4.09 ~ MM 4.18

SCALE 1" = 10 FEET

FROM STA.	29+50	TO STA.	31+30
PROJECT NAME	SHOREHAM-ADDISON MAIN1		
NO.	F017-1(2)	PLOTTED	01/09/85
SURVEYED BY	FANTONI	DEC	1984
SHEET	258 OF 460 SHEETS	SHEET	258 OF 477