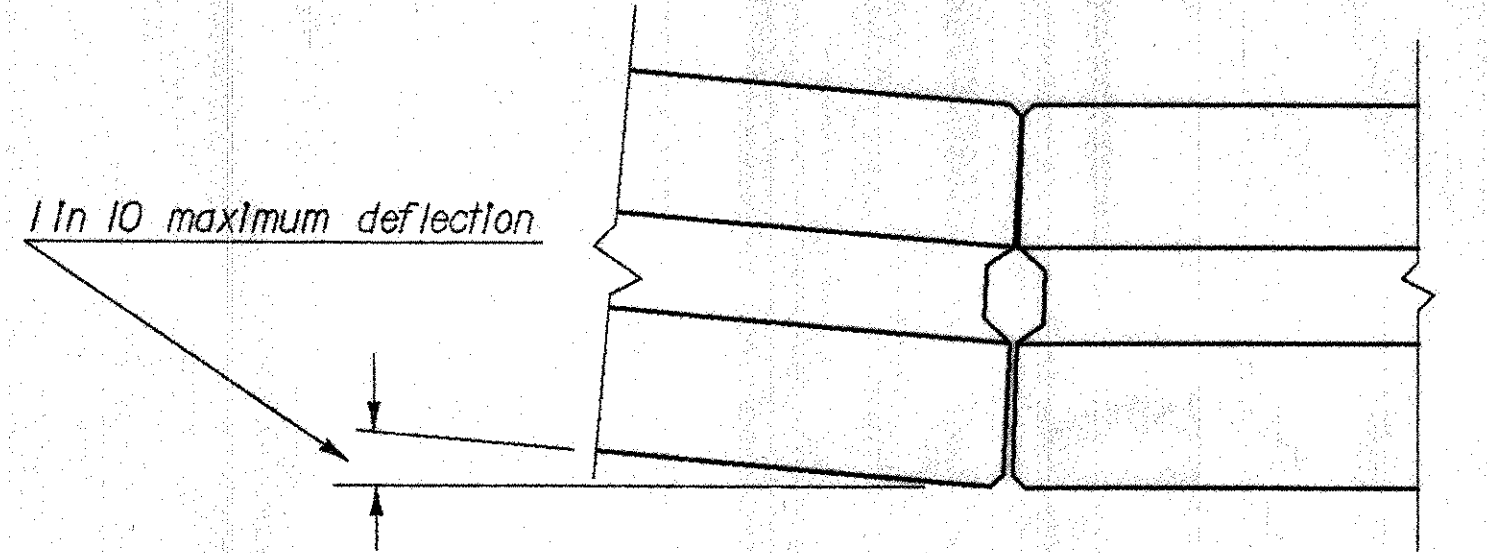


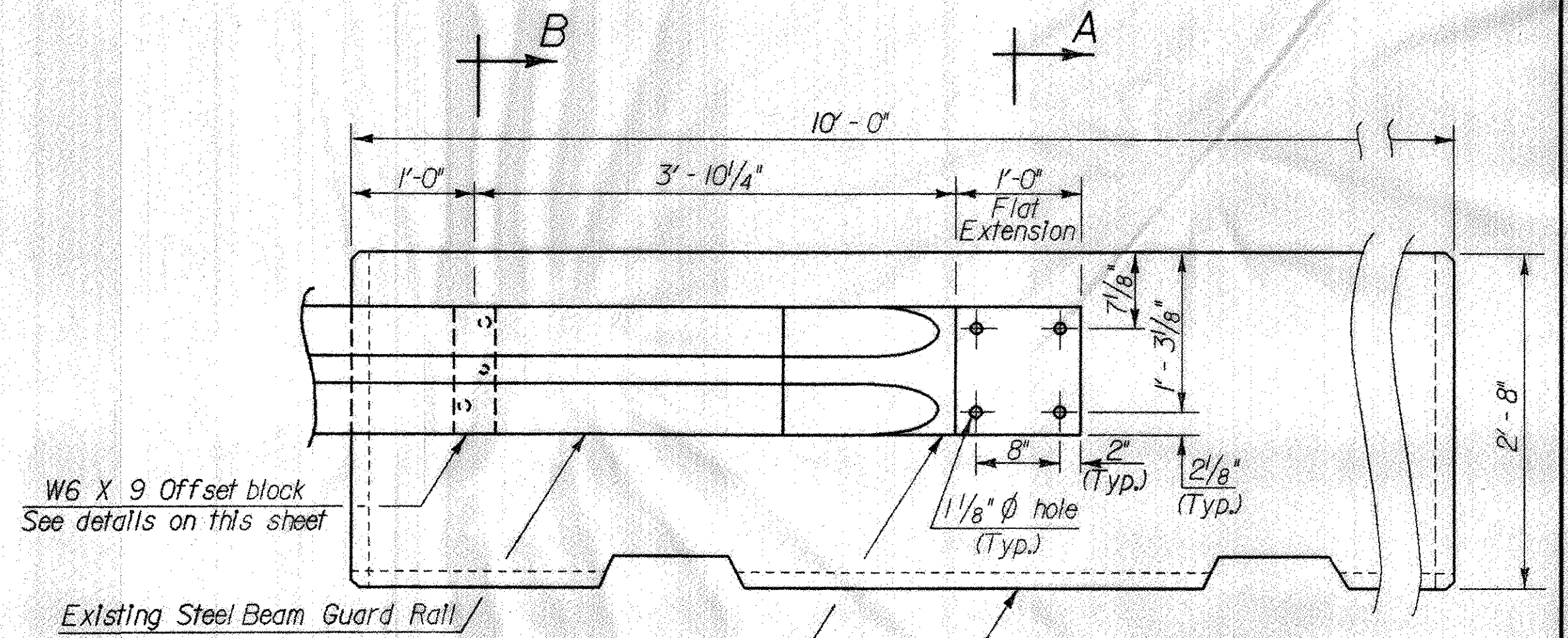
PLAN VIEW SHOWING POSITIVE CONNECTION BETWEEN TEMPORARY BARRIER RAIL AND EXISTING GUARD RAIL

1/2" = 1'-0"



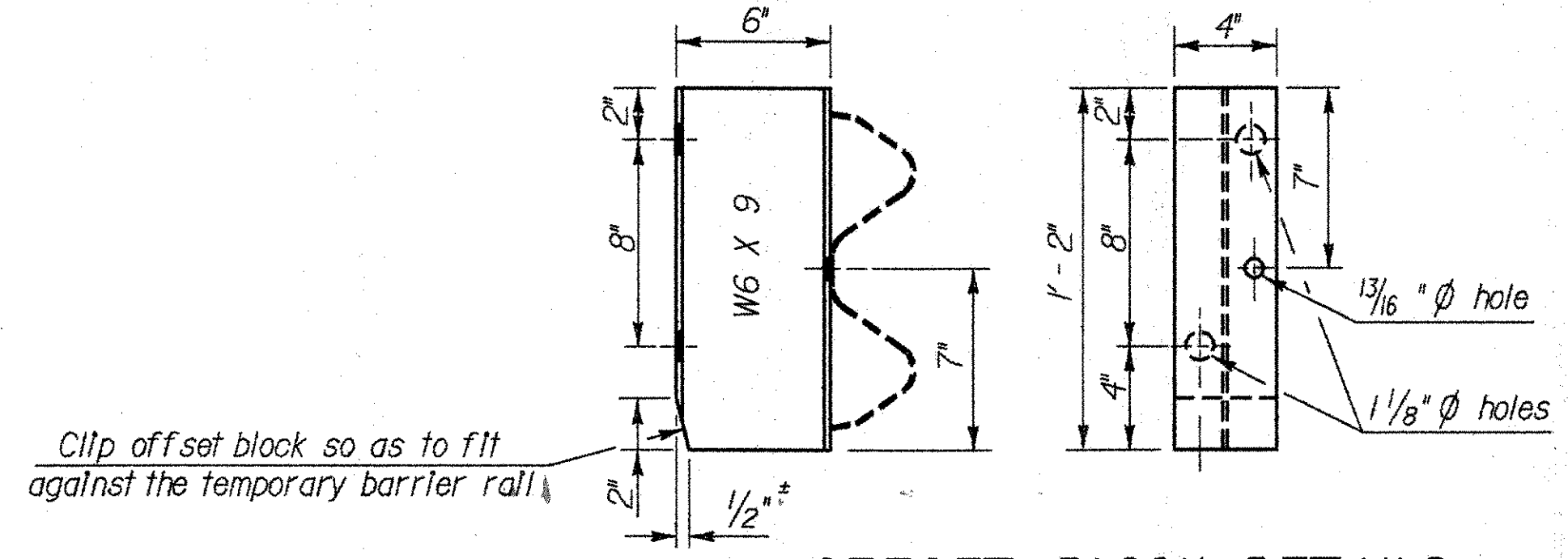
BARRIER RAIL DEFLECTION DETAIL

NTS



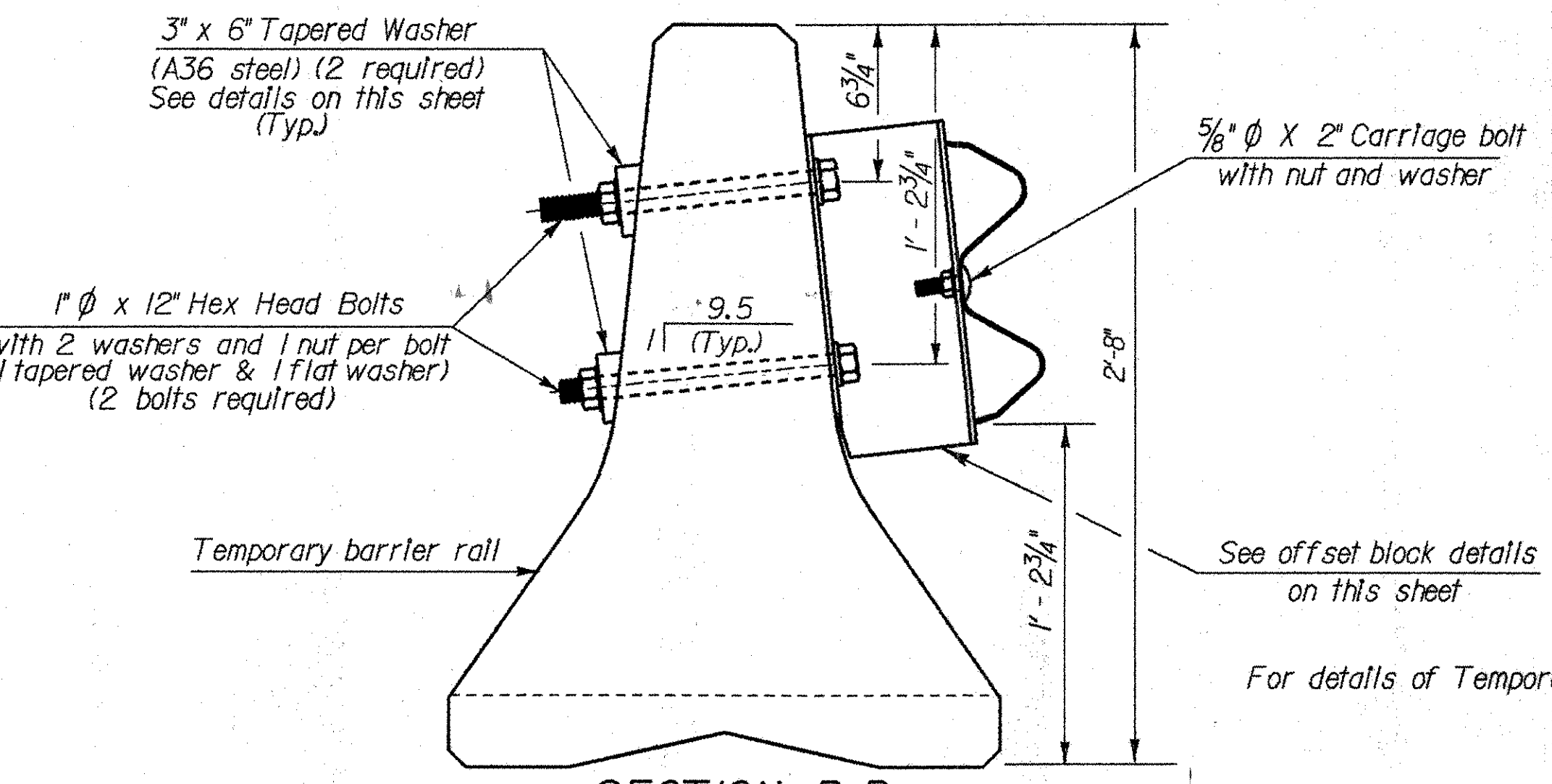
ELEVATION VIEW SHOWING POSITIVE CONNECTION BETWEEN TEMPORARY BARRIER RAIL AND EXISTING GUARD RAIL

1" = 1'-0"



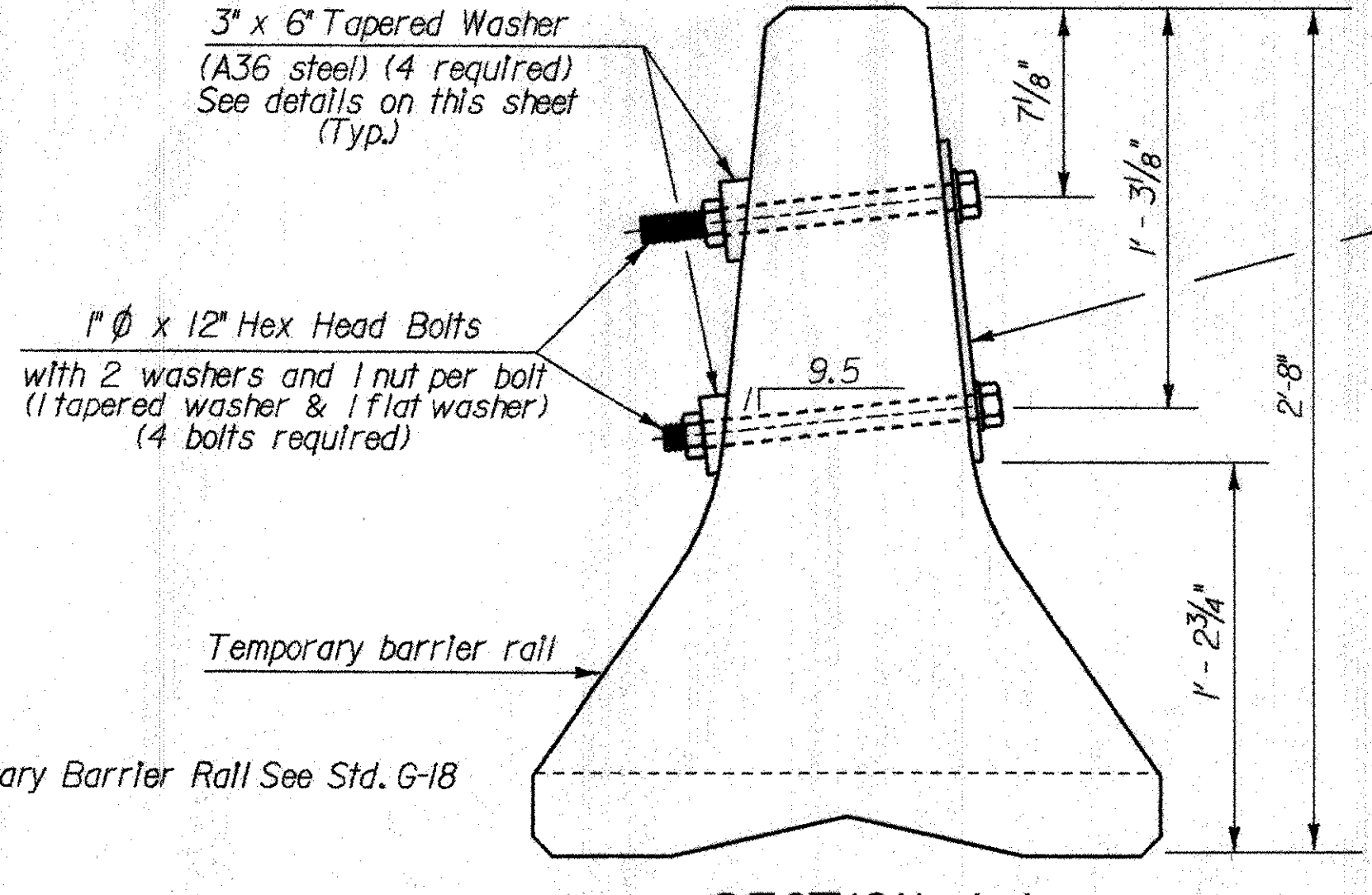
OFFSET BLOCK DETAILS

1" = 6"

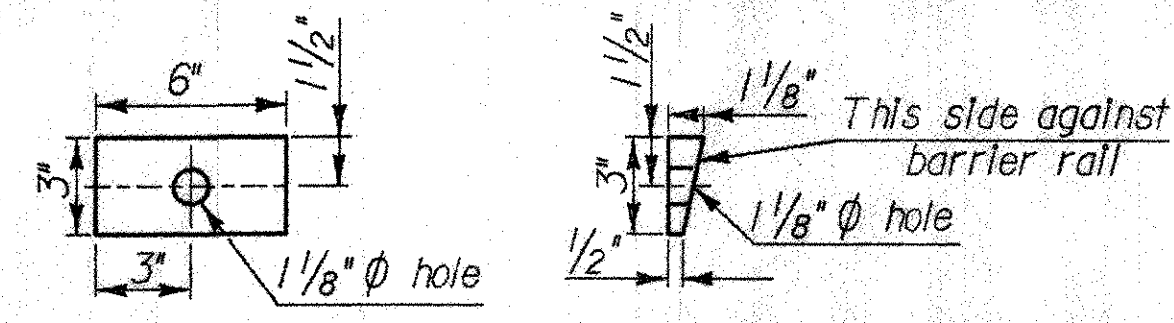


SECTION B-B

1" = 6"



SECTION A-A



TAPERED WASHER DETAILS

1" = 6"

STATE OF VERMONT AGENCY OF TRANSPORTATION	
Town Of BRIDPORT	Bridge No. 18
Highway No. VT RT# 22A	Log Sta. 136+41
	Surv. Sta. 22A+10
POSITIVE CONNECTION DETAILS BETWEEN BARRIER RAIL AND EXISTING GUARD RAIL	
Designed By G. S. Rogers	Drawn By D. W. Newton
Checked By G. S. Rogers	Bridge Design Supervisor D. E. Lathrop
Date June '89	Date June '89
PROJECT SHOREHAM - BRIDPORT - ADDISON	PROJECT NO. PO15-1(2)
I.G.C. info. ZFAH13032WESTMNSTR.DGN	PRF: POSTVCONN
Bridge Sheet No. BR 204	Sheet 247 of 420