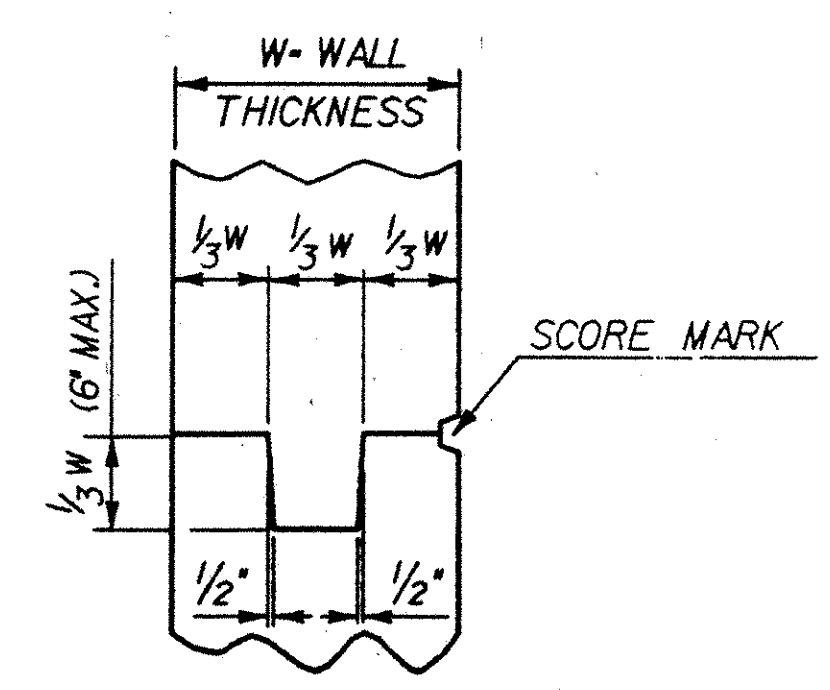
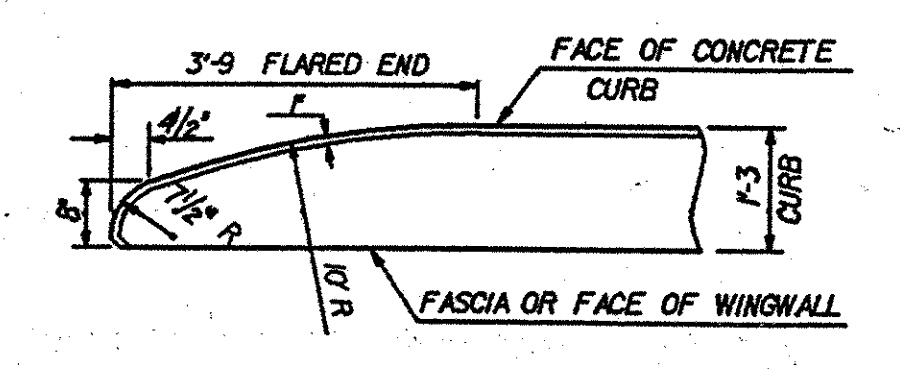


SCORE MARK DETAIL



TYPICAL CONCRETE CONSTRUCTION JOINT



FLARED END DETAIL FOR 1'-3" CURB

CURB REINFORCING STIRRUP BARS SHALL BE TURNED OR CUT AS
REQUIRED TO FIT FLARED ENDS.

GENERAL NOTES

- THE FOLLOWING NOTES SHALL APPLY UNLESS OTHERWISE NOTED ON PROJECT PLANS.
- ALL MATERIALS AND CONSTRUCTION SHALL CONFORM TO STATE OF VERMONT, AGENCY OF TRANSPORTATION, STANDARD SPECIFICATIONS FOR HIGHWAY AND BRIDGE CONSTRUCTION.
- DESIGN IS FOR HS-20-44 LOADING.
- ALL REINFORCING STEEL SHALL BE DETAILED AND FABRICATED USING PROCEDURES AND TOLERANCES IN ACCORDANCE WITH APPLICABLE PUBLICATIONS OF THE "CONCRETE REINFORCING STEEL INSTITUTE".
- MINIMUM COVER FOR REINFORCING STEEL SHALL BE THREE (3) INCHES. OR AS NOTED DIFFERENTLY ON THE PLANS.
- REINFORCING PLACEMENT TOLERANCES SHALL BE SPACING +/- 1", CLEARANCE +/- 1/4".
- ALL CONCRETE SHALL BE "CONCRETE, CLASS B".
- ALL EXPOSED EDGES OF CONCRETE SHALL BE CHAMFERED 1" BY 1".
- WATER REPELLENT SHALL BE APPLIED TO ALL EXPOSED CONCRETE SURFACES.
- THE FOLLOWING TABLE OF ALLOWABLE STRESSES AND WEIGHTS APPLY TO THESE PLANS FOR DESIGN PURPOSES.

CONCRETE	$f'_c = 3500$ PSI	$f_c = 1400$ PSI
	A588	A-36
STRUCTURAL STEEL	$F_b = 27,000$ PSI	20,000 PSI
	$F_v = 17,000$ PSI	12,000 PSI
	GRADE 60	
REINFORCED STEEL	$f_s = 24,000$ PSI	
	$f'_s = 20,000$ PSI	
SOIL UNIT WEIGHT	140 PCF	
- ALL DIMENSIONS ARE HORIZONTAL OR VERTICAL AND ARE GIVEN AT 68 DEGREES F.
- TRAFFIC SHALL BE ALLOWED ON THE R.C. BOX EXTENSION ONLY AFTER THE SPECIFIED CURE PERIOD HAS EXPIRED.
- JOINTS AND SCORE MARKS IN CONCRETE SHALL BE CONSTRUCTED AS INDICATED ON THE PLANS OR AS DIRECTED BY THE ENGINEER.
- THE KEY IN CONCRETE CONSTRUCTION JOINTS SHALL BE MONOLITHIC AND CONTINUOUS FOR THE FULL LENGTH OF THE JOINT.

STATE OF VERMONT AGENCY OF TRANSPORTATION	
Town of BRIDPORT	Bridge No. 18
Highway No. VT RTE 22A	Log Sta. 136+41 Surv. Sta. 284+10
VT RTE 22A OVER BROOK	
<i>R.C. BOX EXTENSION DETAILS</i>	
Designed By M. GARCIA	Drawn By T.A. SUMNER
Checked By M. GARCIA	Date 6-89
Bridge Design Supervisor F.Y. Bolkum	Date 7/89
PROJECT SHOREHAM-BRIDPORT- ADDISON	PROJECT NO. F017-1(2)
I.G.C. Info.	
Bridge Sheet No. BR 202	Sheet 245 of 420