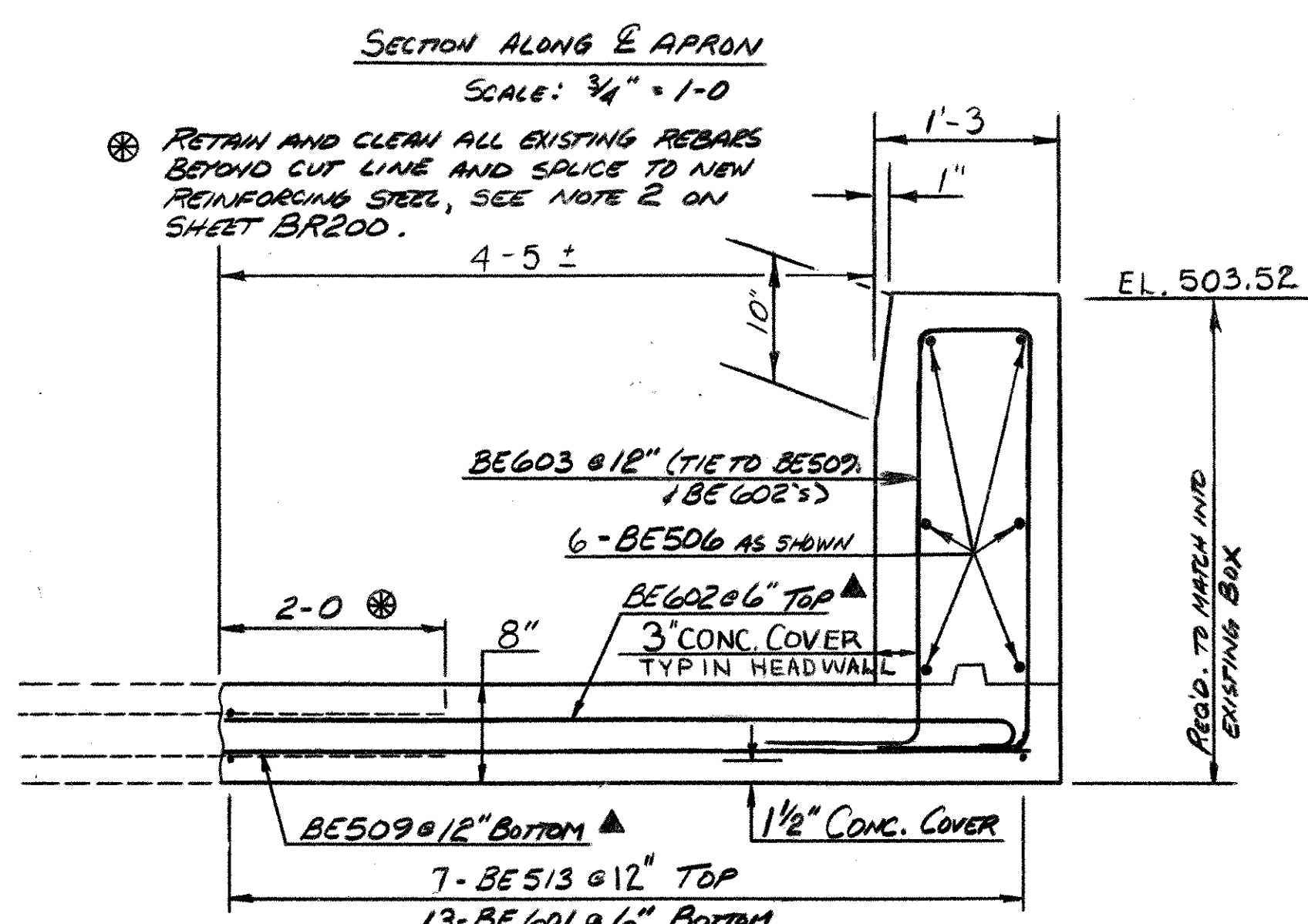
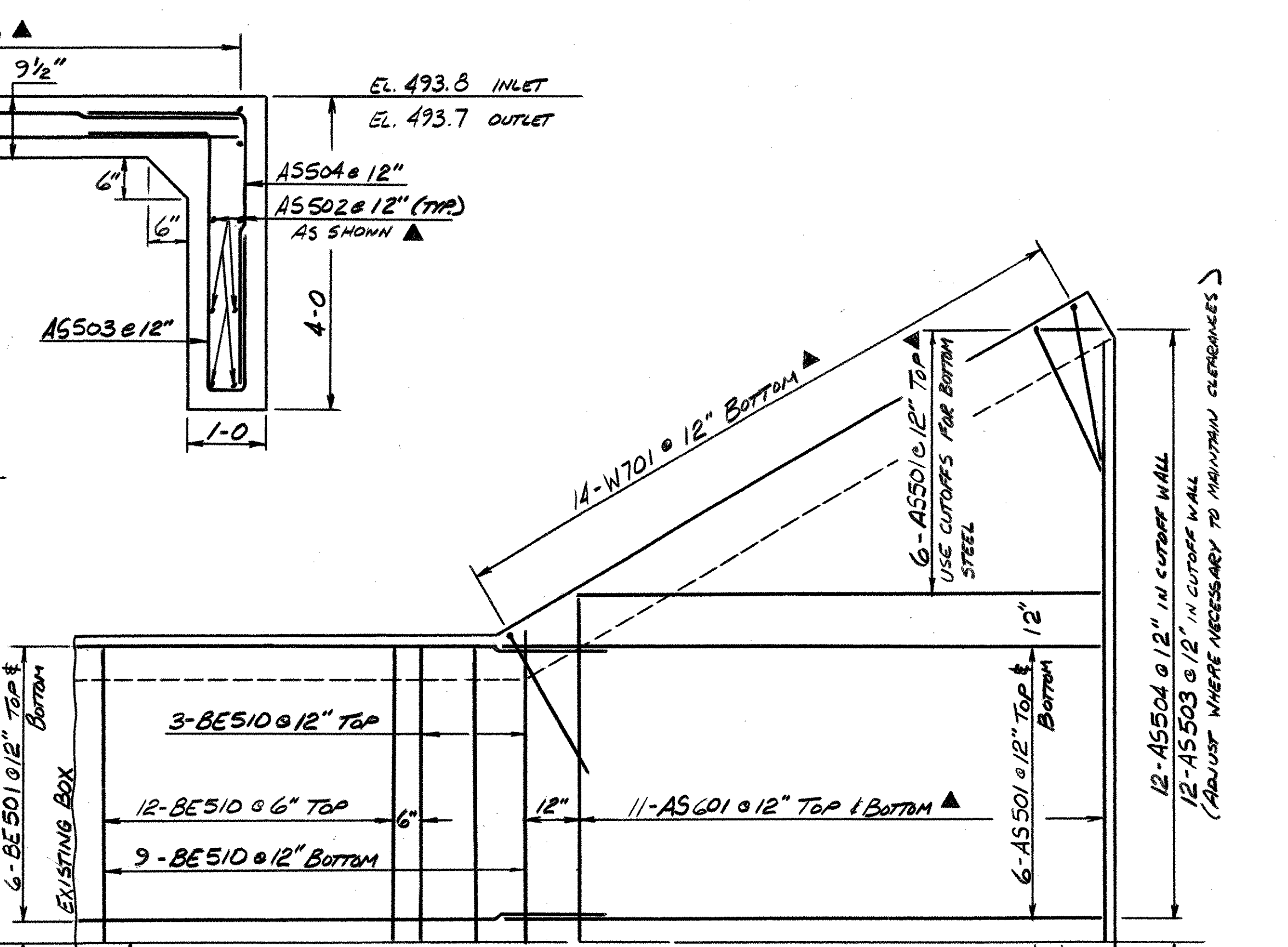


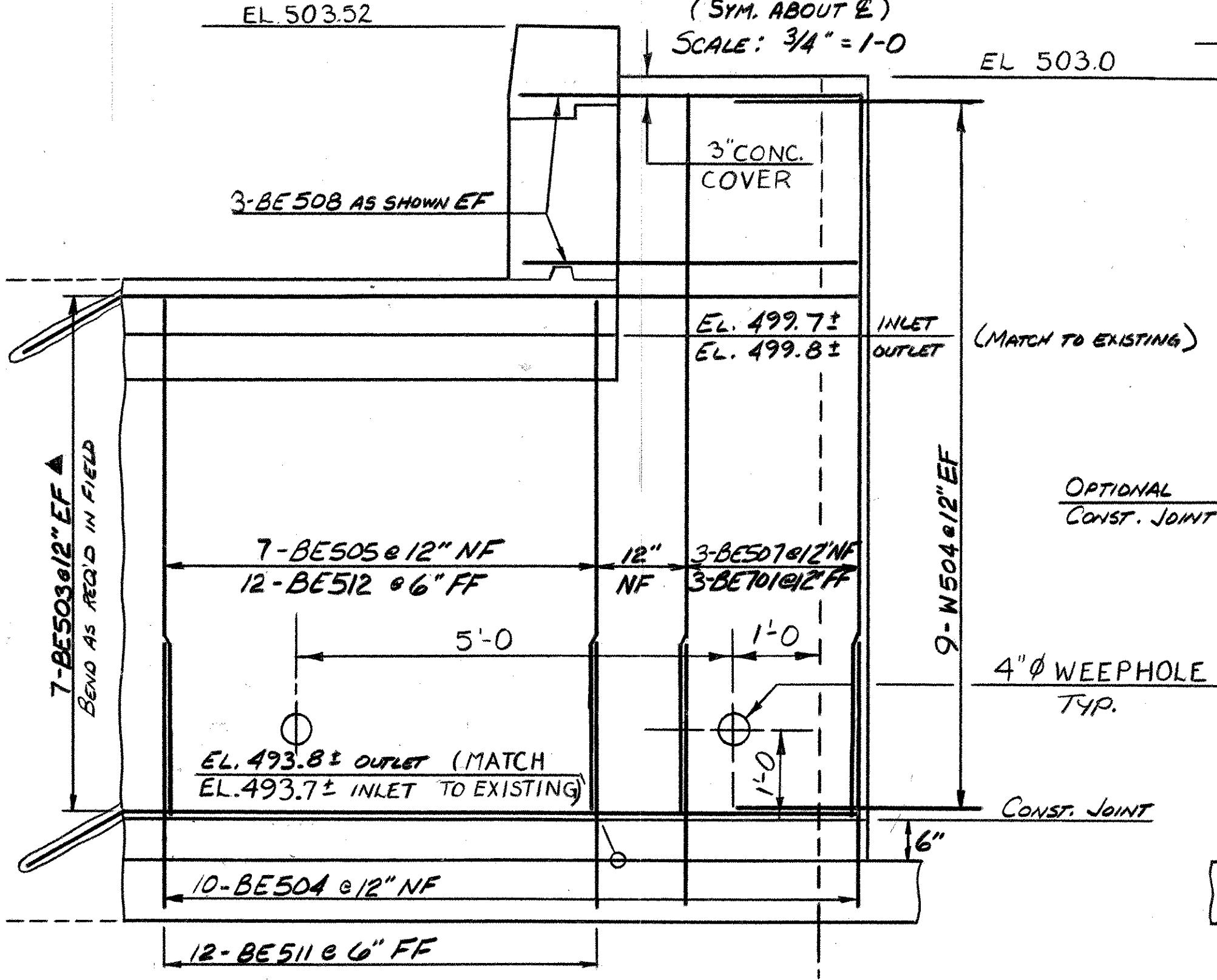
TYPICAL SECTION - Box Extension
 (SYM. ABOUT E)
 SCALE: 3/4" = 1'-0"



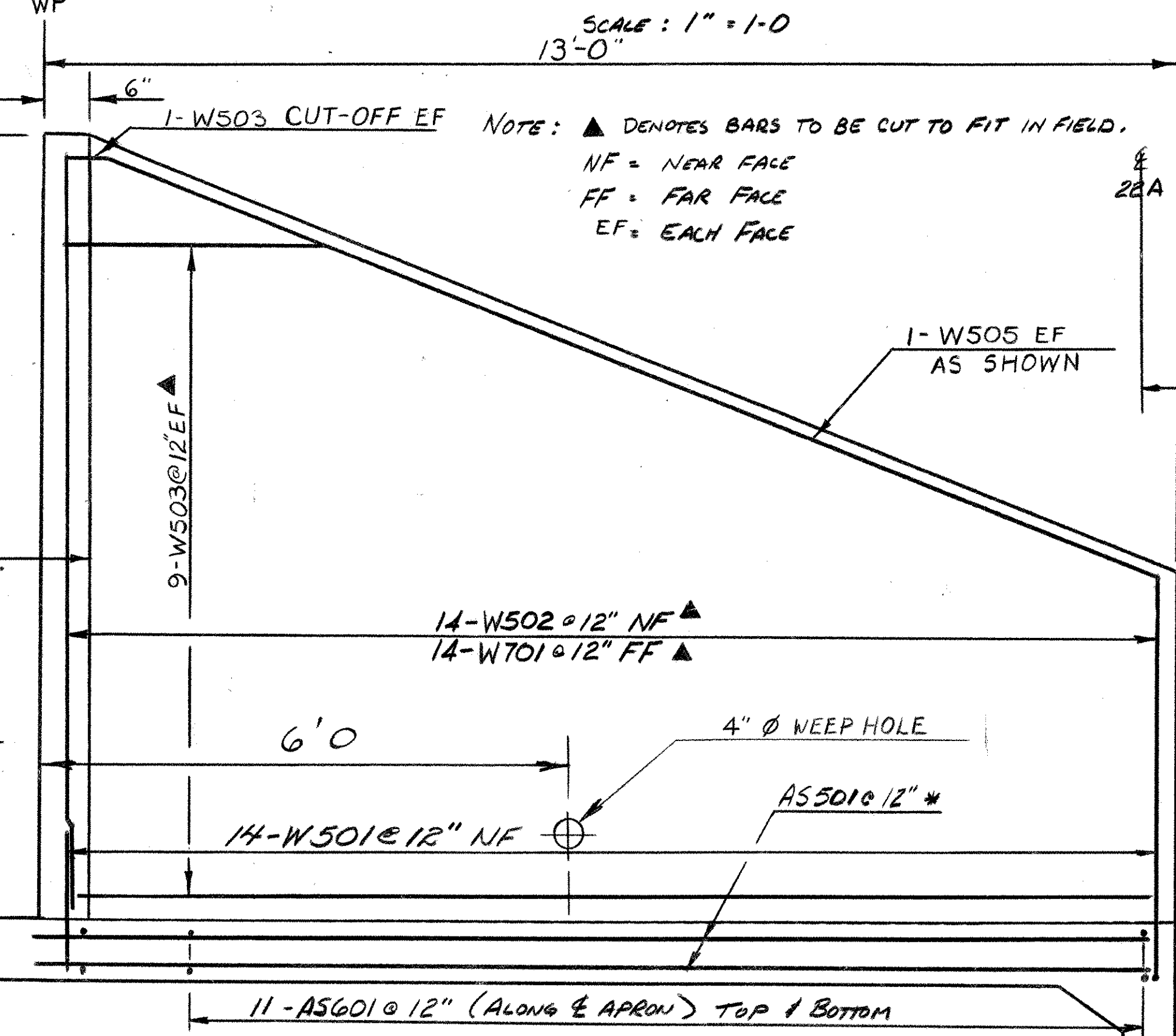
TYPICAL SECTION - DECK / CURB
 SCALE: 1" = 1'-0"



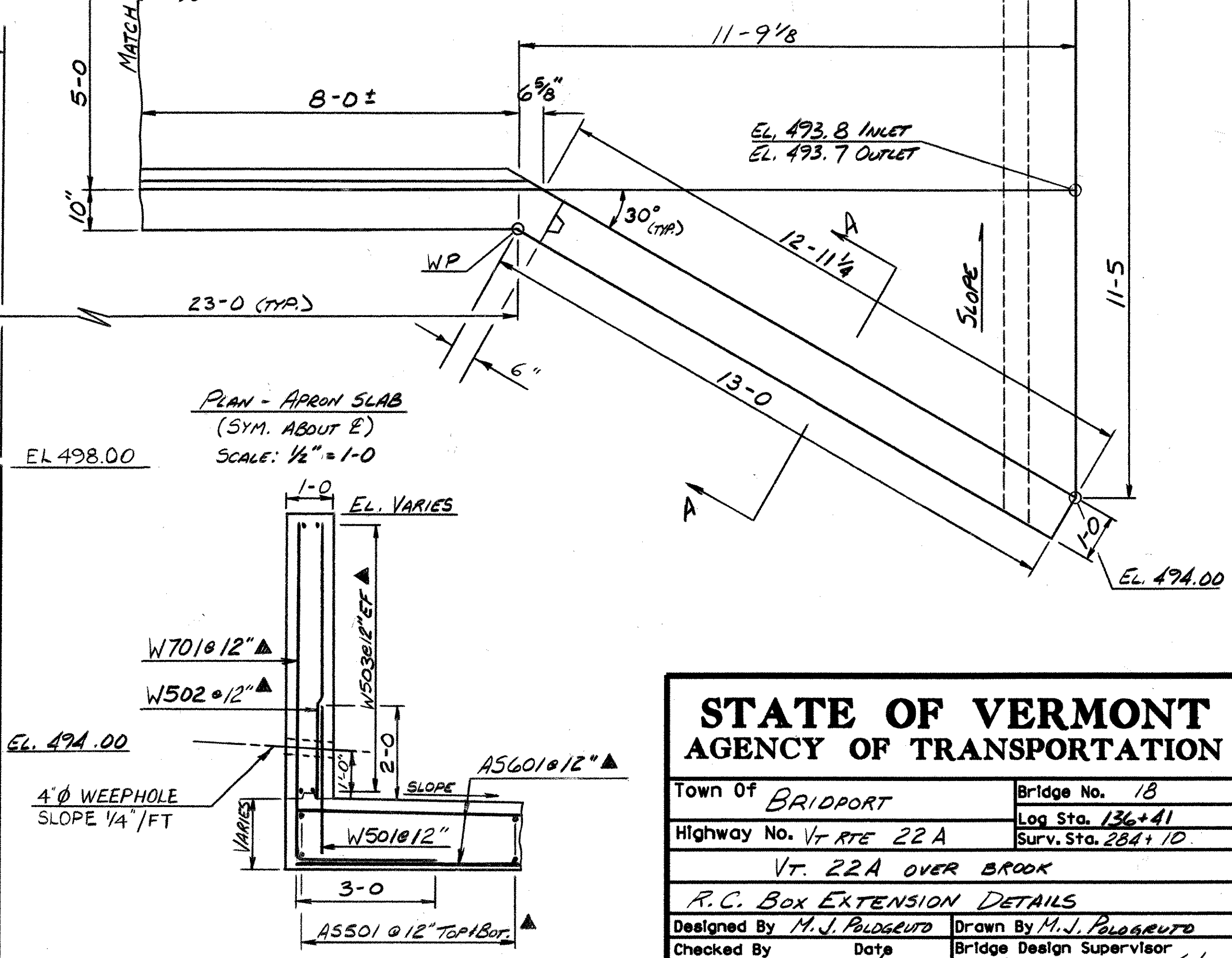
PLAN - APRON SLAB
 (SYM. ABOUT E)
 SCALE: 1/2" = 1'-0"



ELEVATION - Box Extension WALL (2 TYP, 2 OPP. HAND)
 SCALE: 3/4" = 1'-0"



ELEVATION - Wingwall "21'3" TYPICAL ("11'4" OPP. HAND)
 SCALE: 3/4" = 1'-0"



SECTION A-A - Wingwall TYPICAL
 SCALE: 1/2" = 1'-0"

STATE OF VERMONT AGENCY OF TRANSPORTATION	
Town of BRIDPORT	Bridge No. 18
Highway No. VT RTE 22A	Log Sta. 136+41
VT. 22A OVER BROOK	
R.C. Box Extension DETAILS	
Designed By M.J. Poldoski	Drawn By M.J. Poldoski
Checked By M. Garcia	Date 5/86
R.S. Haupt	
Date 6/86	
PROJECT SHOREHAM-BRIDPORT ADDISON	PROJECT NO. FD17-1(2)
L.C. Info.	
Bridge Sheet No. BR 201	Sheet 244 of 420

BRUNING 44-232 54442