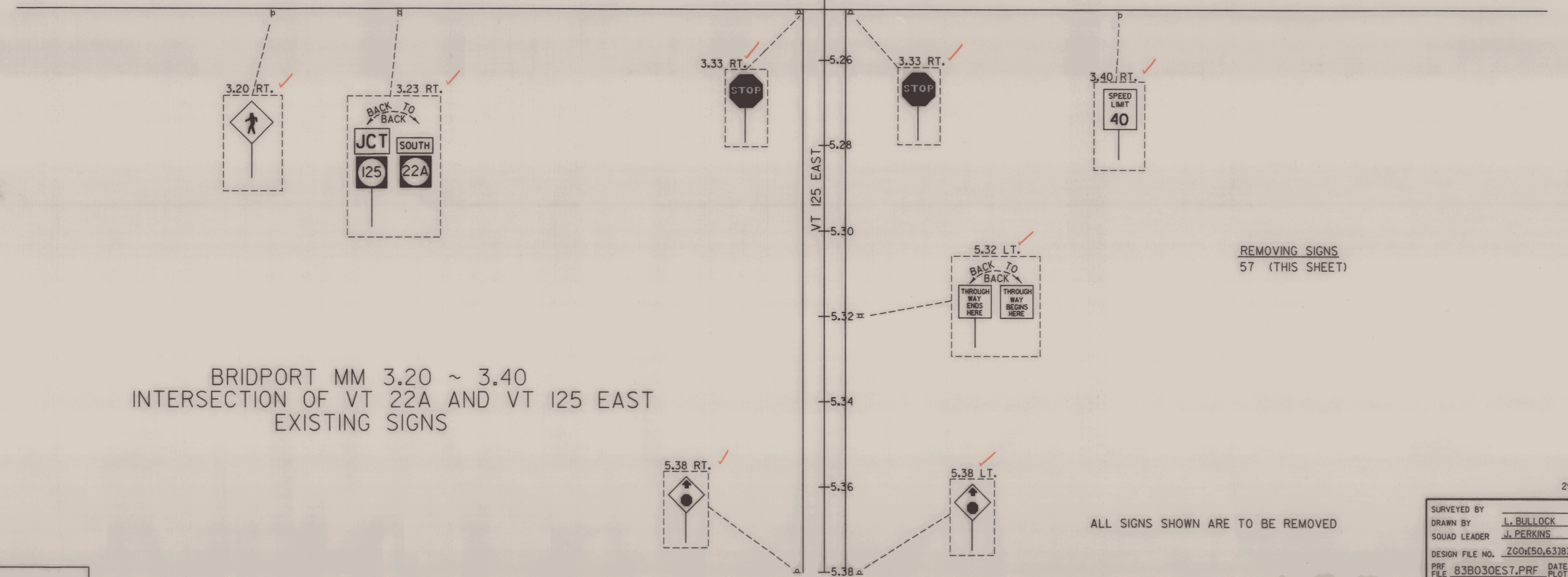
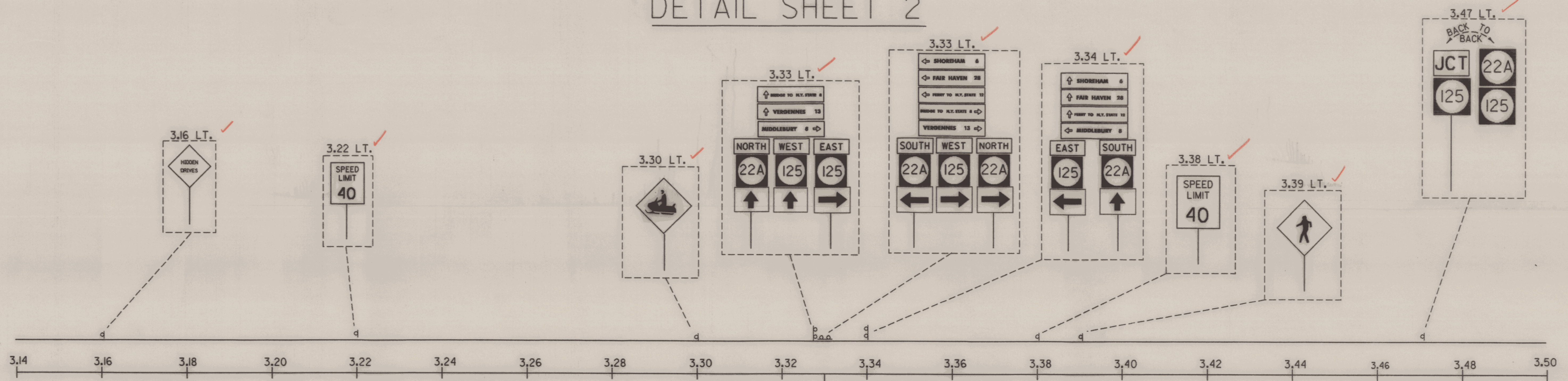


DETAIL SHEET 2



BRIDPORT MM 3.20 ~ 3.40
 INTERSECTION OF VT 22A AND VT 125 EAST
 EXISTING SIGNS

REMOVING SIGNS
 57 (THIS SHEET)

ALL SIGNS SHOWN ARE TO BE REMOVED

DATUM
 VERTICAL NGVD 1929
 HORIZONTAL N/A

0 0.01 0.02
 SCALE IN MILES

29-DEC-1989
 SURVEYED BY _____ DATE _____
 DRAWN BY L. BULLOCK DATE 3/89
 SQUAD LEADER J. PERKINS
 DESIGN FILE NO. ZG0450,631838030.DGN
 PRF 83B030ES7.PRF DATE PLOTTED 29-DEC-1989
 PROJ. NAME SHOREHAM-BRIDPORT-ADDISON
 PROJ. NO. F 017-(K2)
 SHEET 196 OF 420 SHEETS
 SHEET 196 OF 477