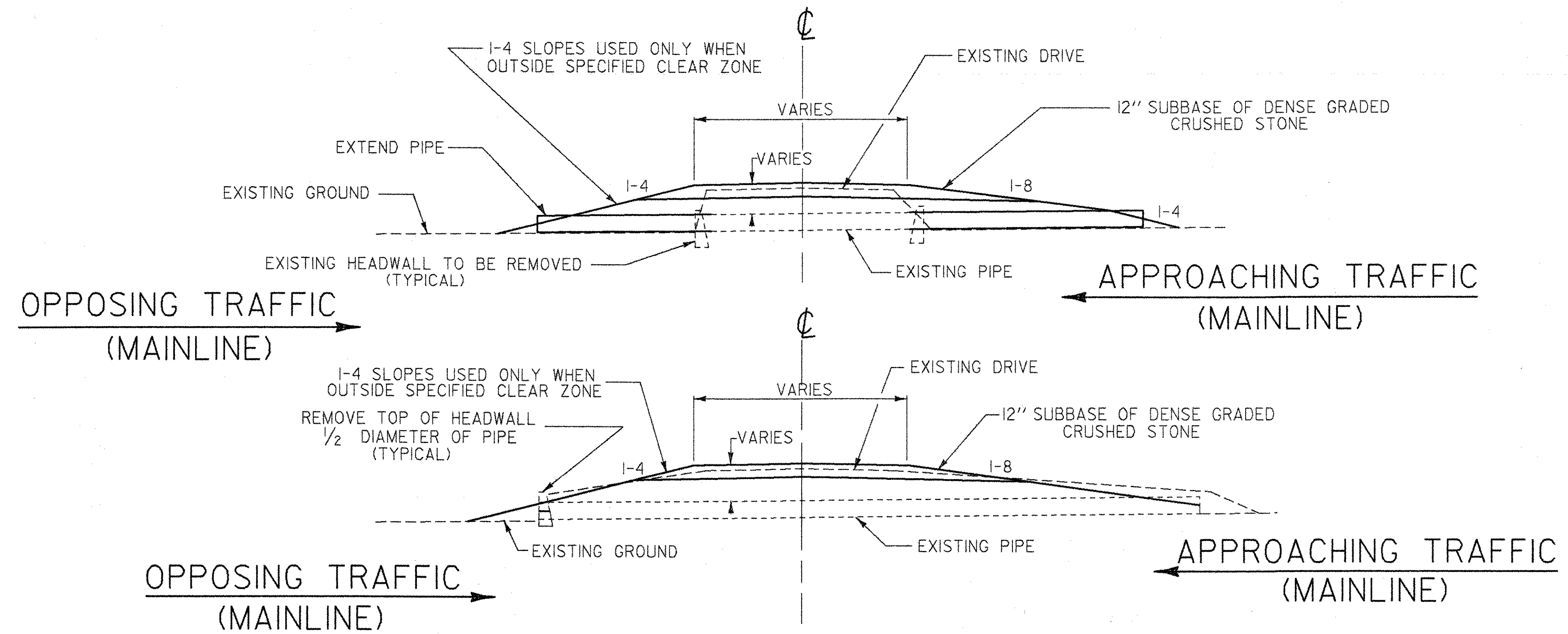
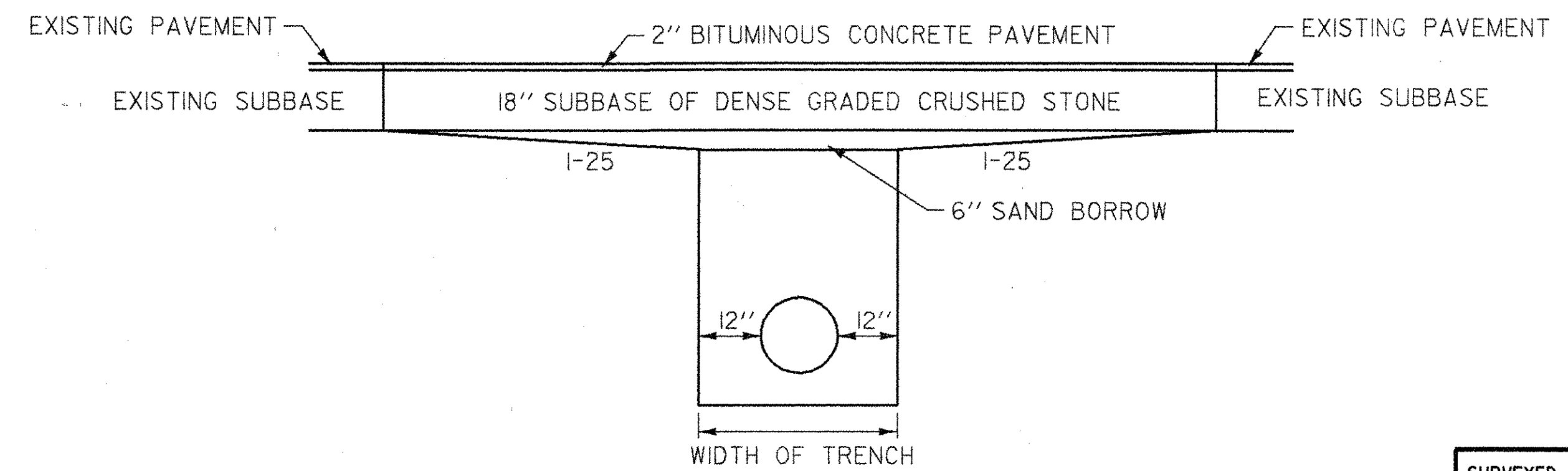
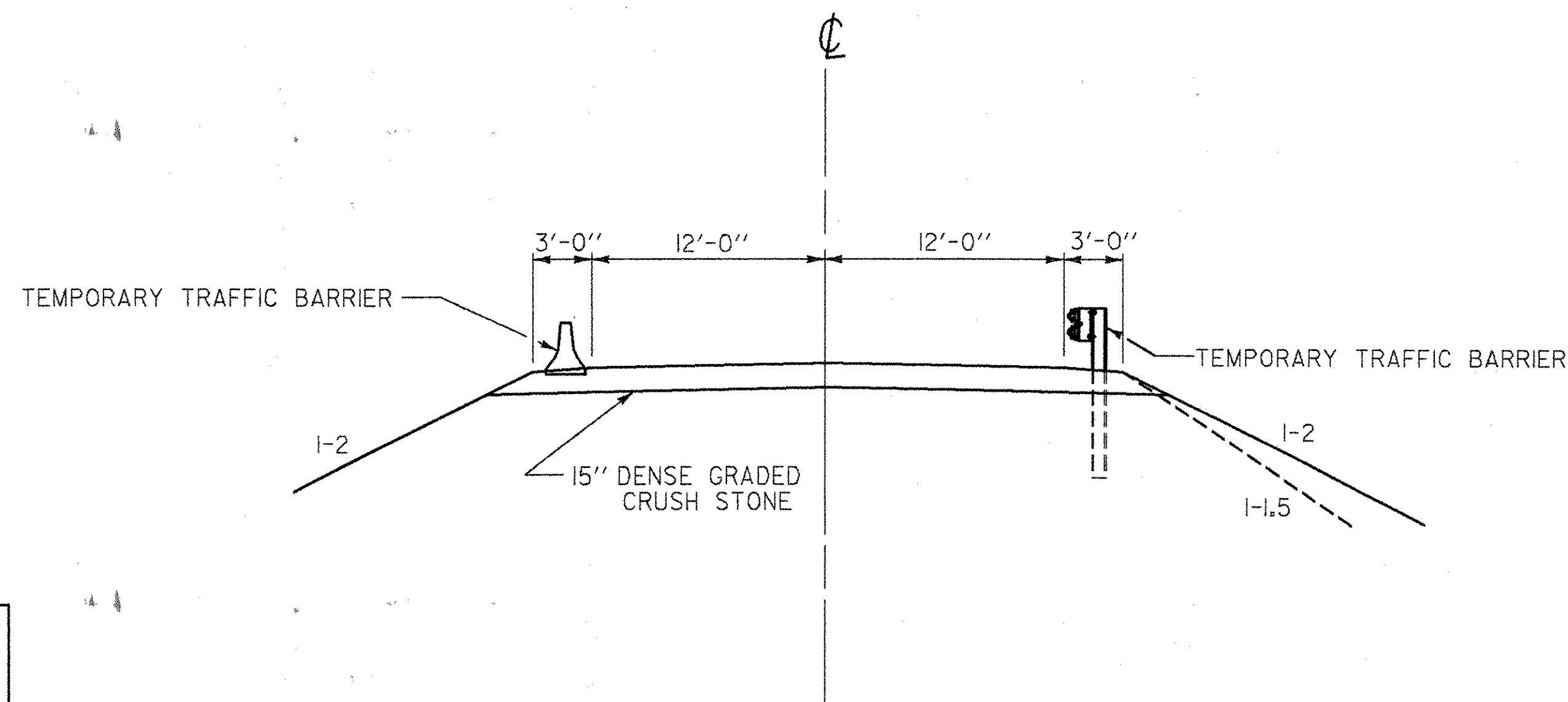


# TYPICALS AND DETAIL

## DRIVE TYPICAL (WITH OR WITHOUT PIPE) N.T.S.



## DETOUR TYPICAL N.T.S.



## PIPE CROSSING DETAIL N.T.S.

DATUM	
VERTICAL	_____
HORIZONTAL	_____

SURVEYED BY	_____	DATE	_____
DRAWN BY	S. LASKOWSKI	DATE	11-89
SQUAD LEADER	J. PERKINS		
DESIGN FILE NO.	150,63183B030.DGN		
PRF FILE	83B030DT.PRF	DATE PLOTTED	11-09-89
PROJ. NAME	SHOREHAM-BRIDPORT-ADDISON		
PROJ. NO.	FO17-(2)		
SHEET	6	OF	420 SHEETS
SHEET 6 OF 477			