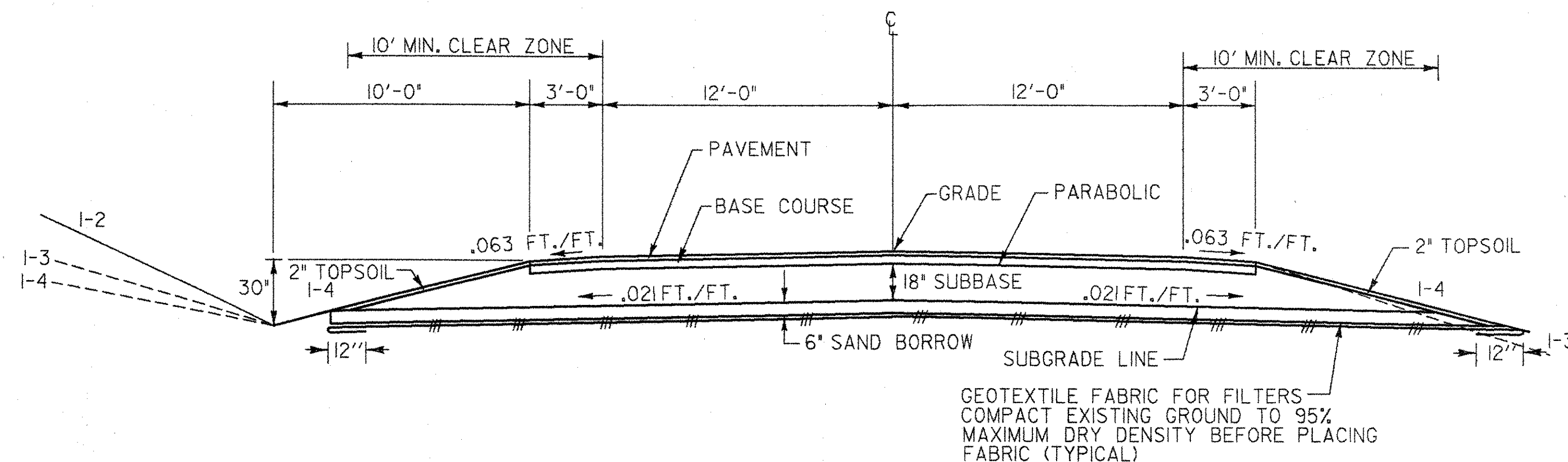
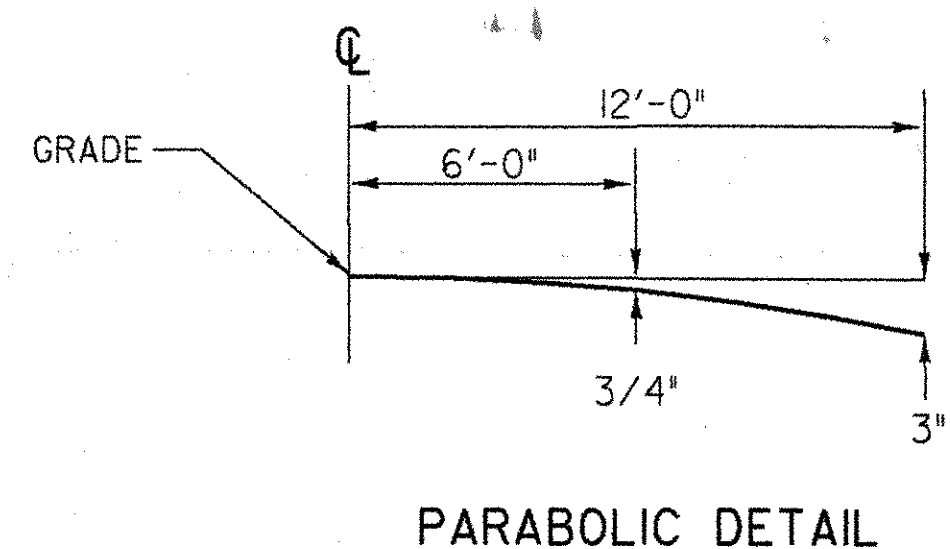


# VT-22A TYPICAL SECTIONS - (SLIP AREA)

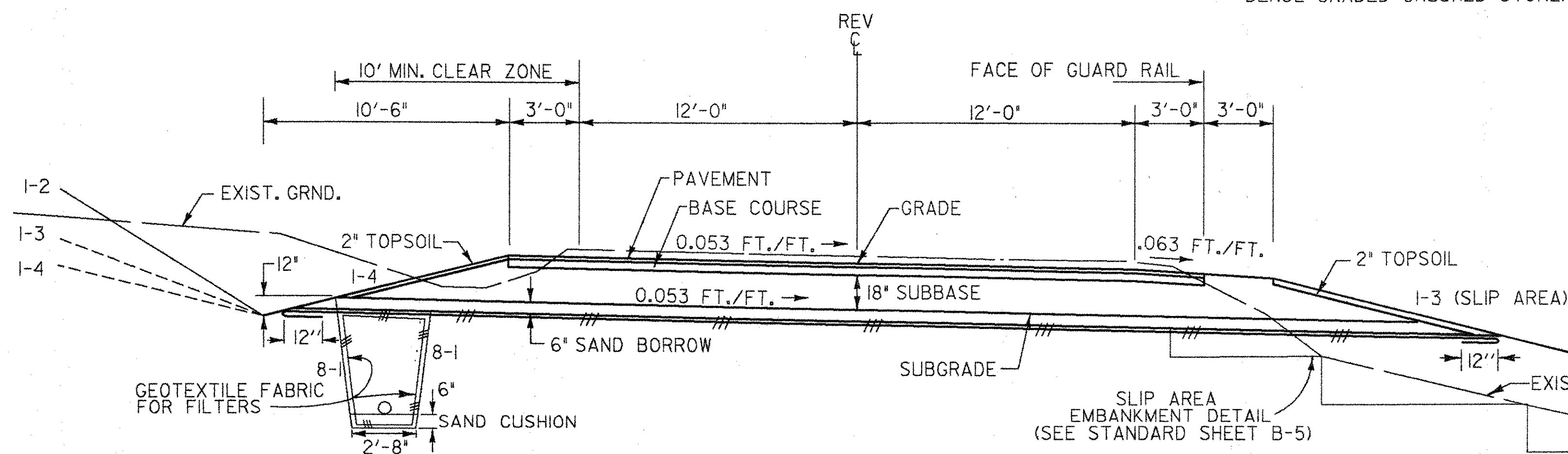
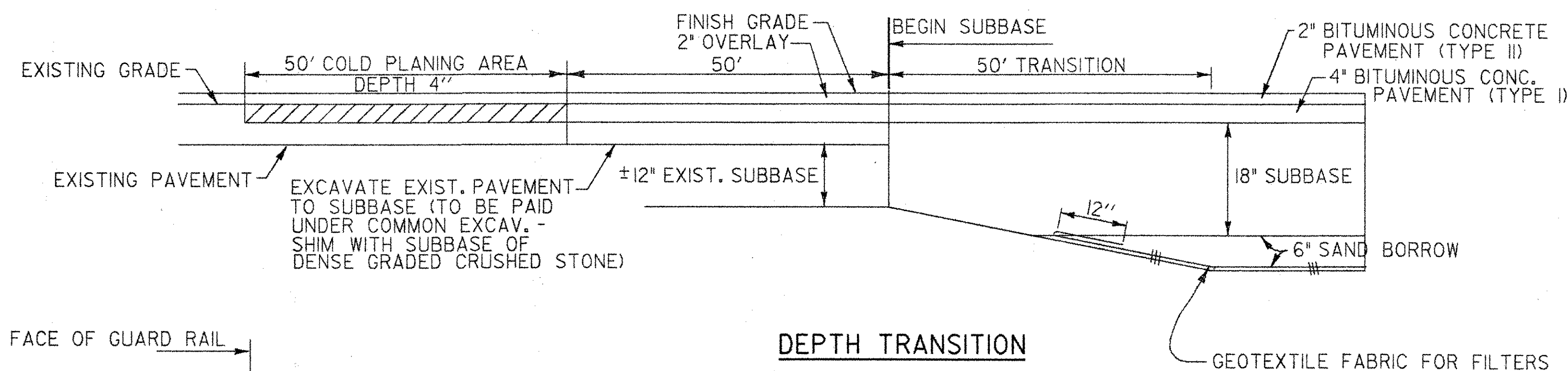
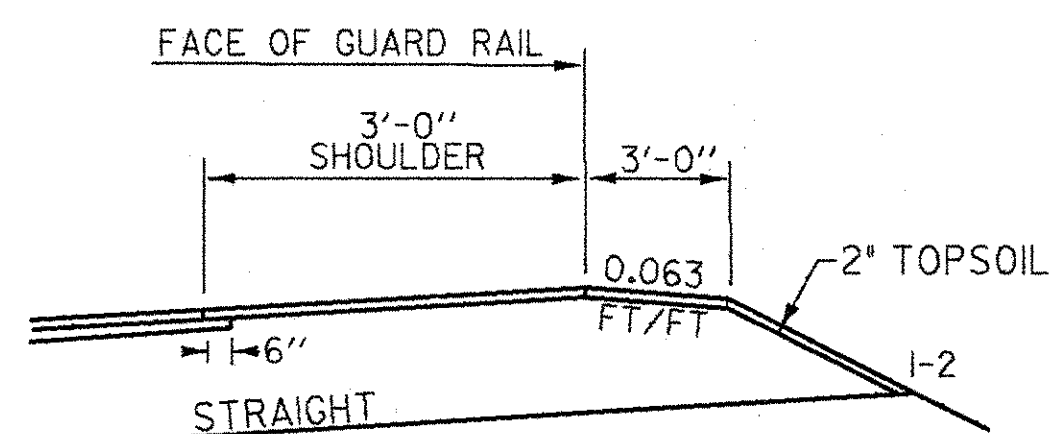
BRIDPORT MM 5.88± TO MM 5.92±  
FULL DEPTH SUBBASE REPAIR AREA

2" BITUMINOUS CONCRETE PAVEMENT, (TYPE II - ONE LIFT)  
4" BITUMINOUS CONCRETE PAVEMENT, (TYPE I - ONE LIFT)  
18" SUBBASE OF DENSE GRADED CRUSHED STONE  
6" SAND BORROW WITH GEOTEXTILE FABRIC FOR FILTERS  
SHOULDERS: 2" BITUMINOUS CONCRETE PAVEMENT, (TYPE II - ONE LIFT)  
4" BITUMINOUS CONCRETE PAVEMENT, (TYPE I - ONE LIFT)



MATERIAL ITEM	THICKNESS TOLERANCE
PAVEMENT	± 1/4"
SUBBASE SAND BORROW	± 1"

FOR SEEDING FORMULA SEE SHEET 3 OF 420



DATUM	
VERTICAL	NGVD 1929
HORIZONTAL	N/A

SURVEYED BY	L. BULLOCK	DATE	6-89
DRAWN BY	J. PERKINS	DATE	6-89
SQUAD LEADER	J. PERKINS		
DESIGN FILE NO.	ZG0450_70183B030TY.DGN		
PRF FILE	83B030TY3	DATE PLOTTED	27-OCT-1989
PROJ. NAME	SHOREHAM-BRIDPORT-ADDISON		
PROJ. NO.	FO17-(12)		
SHEET	5 OF 420 SHEETS		
SHEET 5 OF 477			

BRIDPORT - SLIP AREA  
MM 5.88± TO MM 5.92±