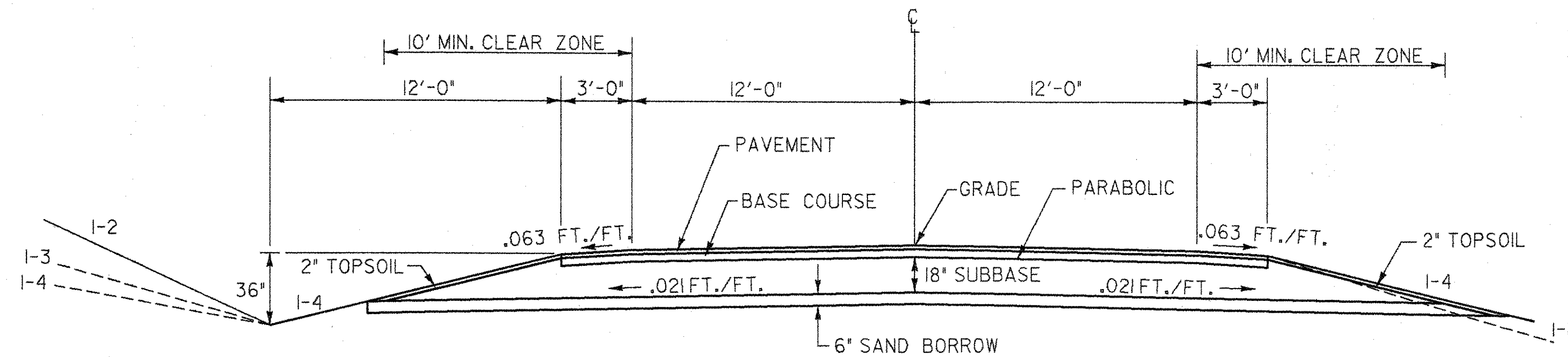
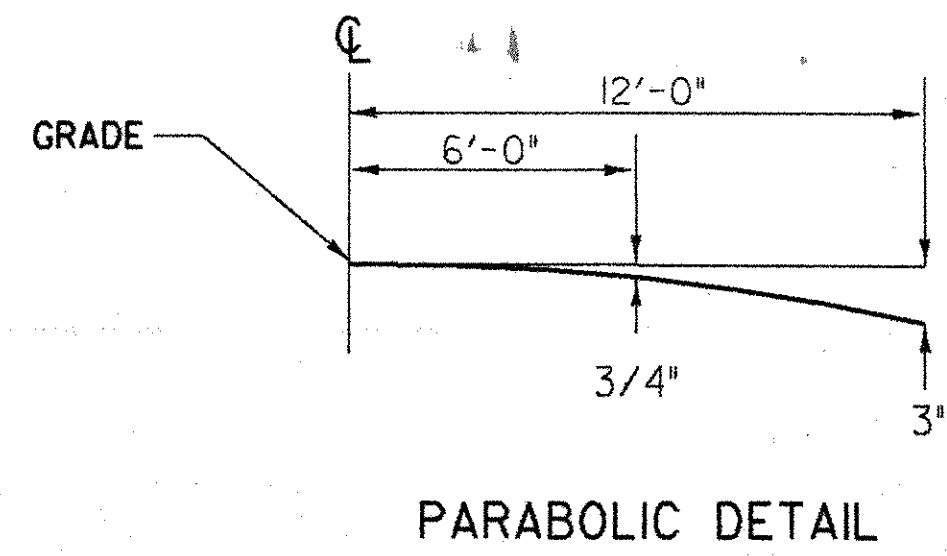


VT-22A & VT 125 (EAST & WEST) TYPICAL SECTIONS - RECONSTRUCTION BRIDPORT HES-F017-1(2)

2" BITUMINOUS CONCRETE PAVEMENT, (TYPE II - ONE LIFT)
4" BITUMINOUS CONCRETE PAVEMENT, (TYPE I - ONE LIFT)
18" SUBBASE OF DENSE GRADED CRUSHED STONE
6" SAND BORROW

SHOULDERS: 2" BITUMINOUS CONCRETE PAVEMENT, (TYPE II - ONE LIFT)
4" BITUMINOUS CONCRETE PAVEMENT, (TYPE I - ONE LIFT)

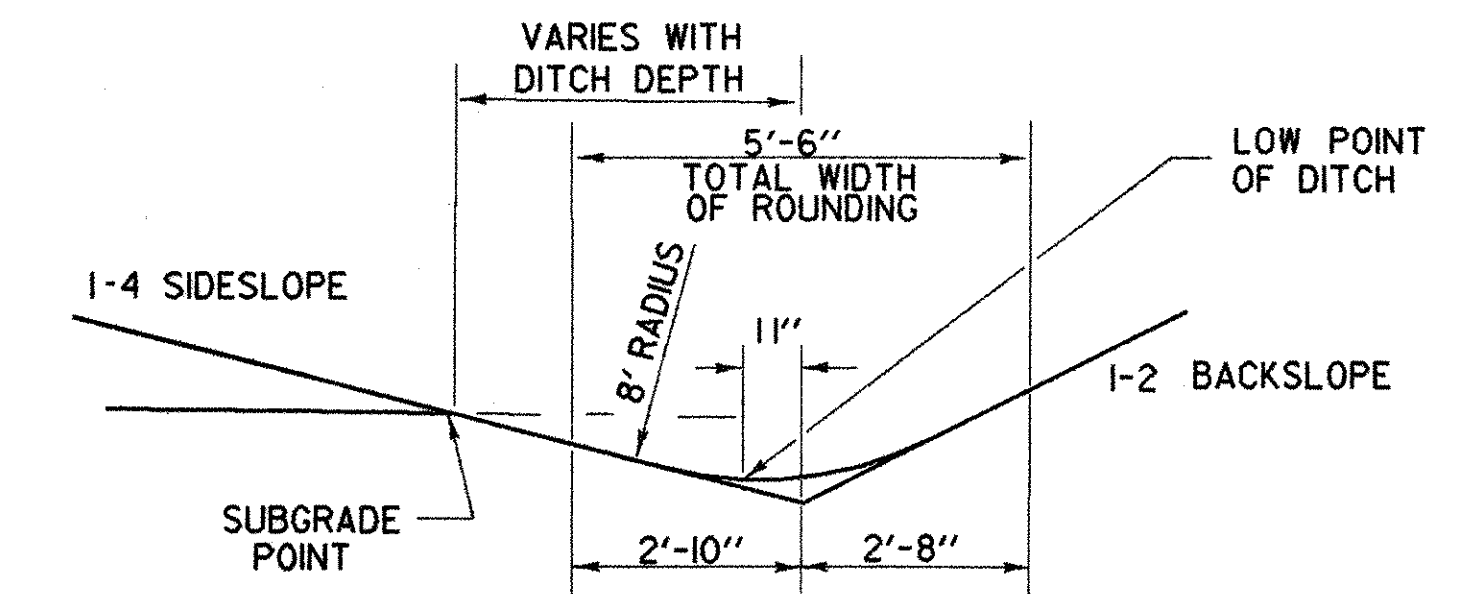
NOTE:
FOR OVERLAY TYPICAL ON VT 22A,
SEE SHEET 3 OF 420



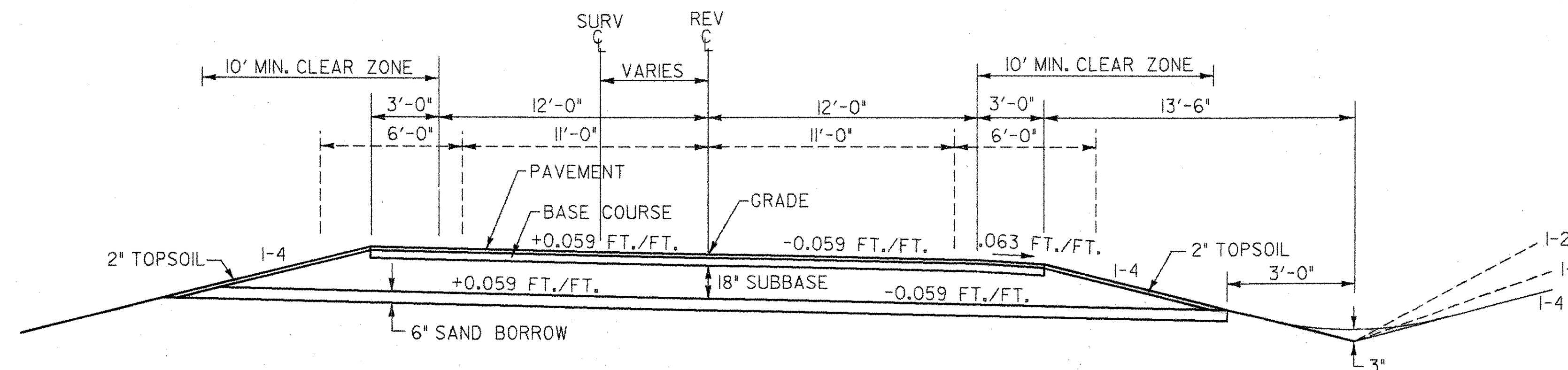
MATERIAL ITEM	THICKNESS TOLERANCE
PAVEMENT	± 1/4"
SUBBASE	± 1"
SAND BORROW	± 1"

FOR SEEDING FORMULA SEE SHEET 3 OF 420

2" BITUMINOUS CONCRETE PAVEMENT, (TYPE II - ONE LIFT)
4" BITUMINOUS CONCRETE PAVEMENT, (TYPE I - ONE LIFT)
18" SUBBASE OF DENSE GRADED CRUSHED STONE
6" SAND BORROW
SHOULDERS: 2" BITUMINOUS CONCRETE PAVEMENT, (TYPE II - ONE LIFT)
4" BITUMINOUS CONCRETE PAVEMENT, (TYPE I - ONE LIFT)



NOTE: DASHED DIMENSION LINES
INDICATE PROPOSED
FUTURE CONSTRUCTION
TYPICAL WIDTHS.



VT. RTE. 125 (EAST & WEST APPROACHES)
BANKED SECTION
MAXIMUM 0.059 FT./FT.

DATUM
VERTICAL NGVD 1929
HORIZONTAL N/A

SURVEYED BY	L. BULLOCK	DATE	6-89
DRAWN BY	J. PERKINS	DATE	6-89
SQUAD LEADER	J. PERKINS		
DESIGN FILE NO.	ZF2150,70183B030TY,DGNH		
PRF FILE	83B030TY2	DATE PLOTTED	23-JUN-1989
PROJ. NAME	SHOREHAM-BRIDPORT-ADDISON		
PROJ. NO.	FO17-1(2)		
SHEET	4	OF	420 SHEETS

SHEET 4 OF 477