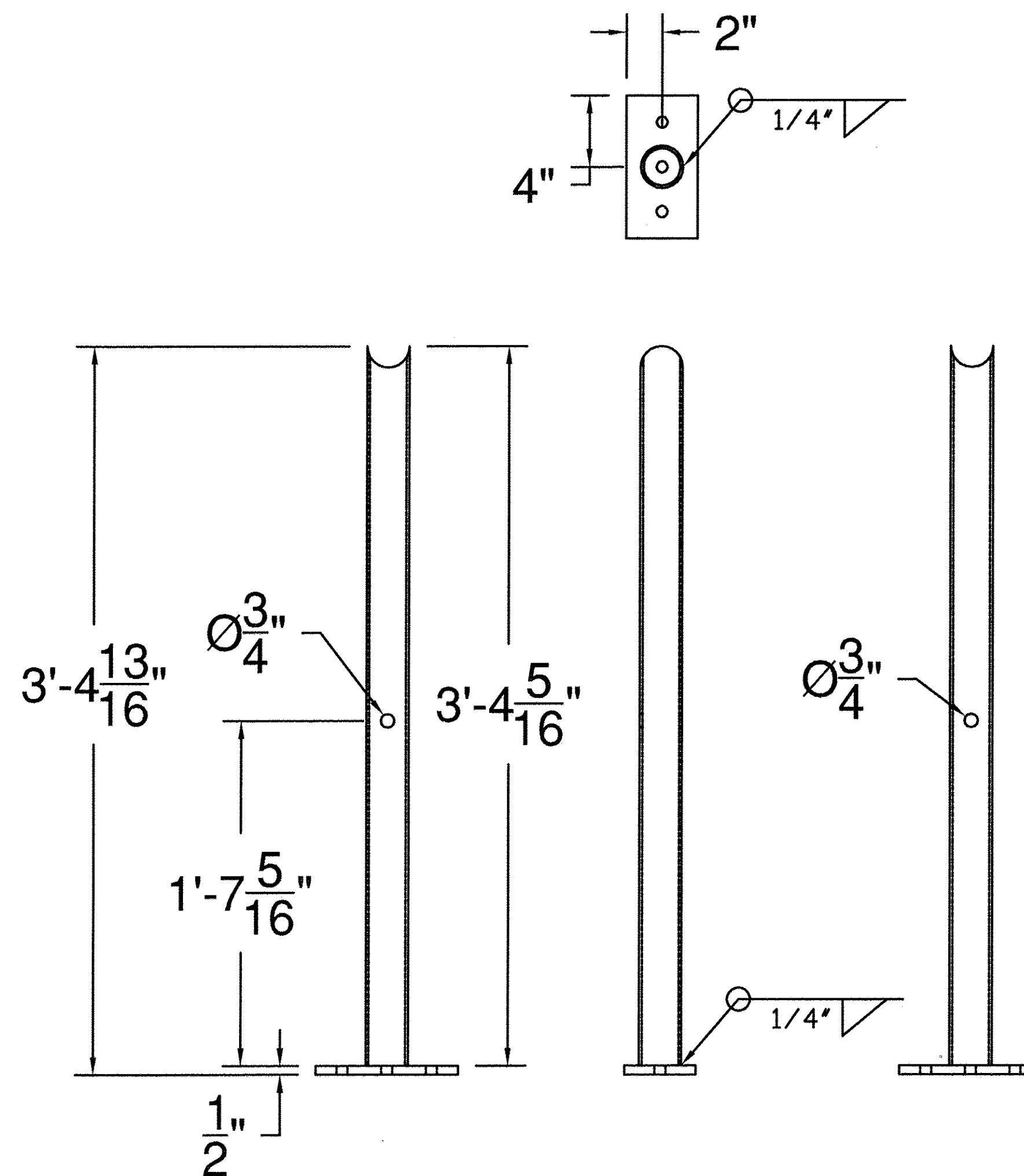
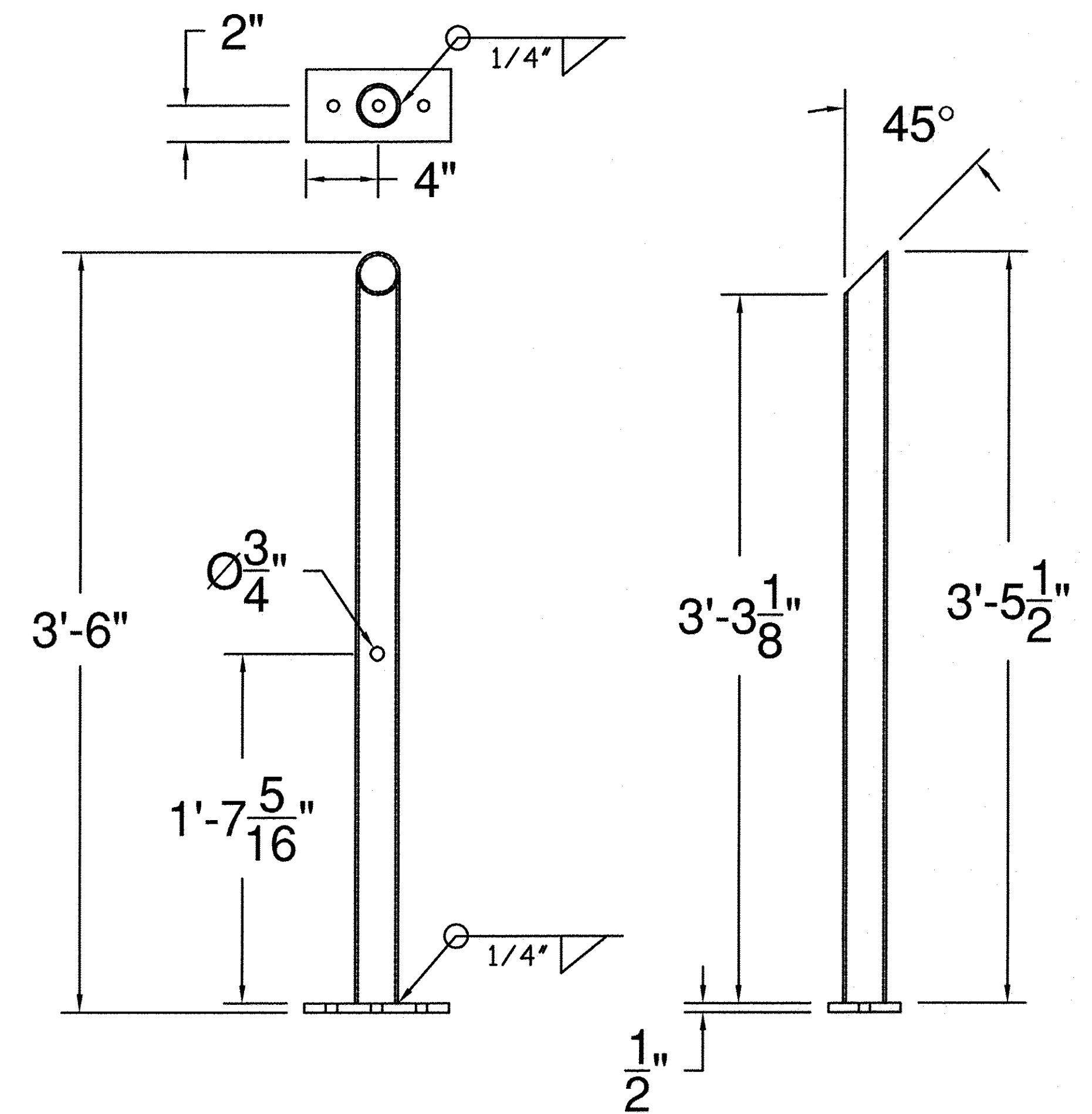


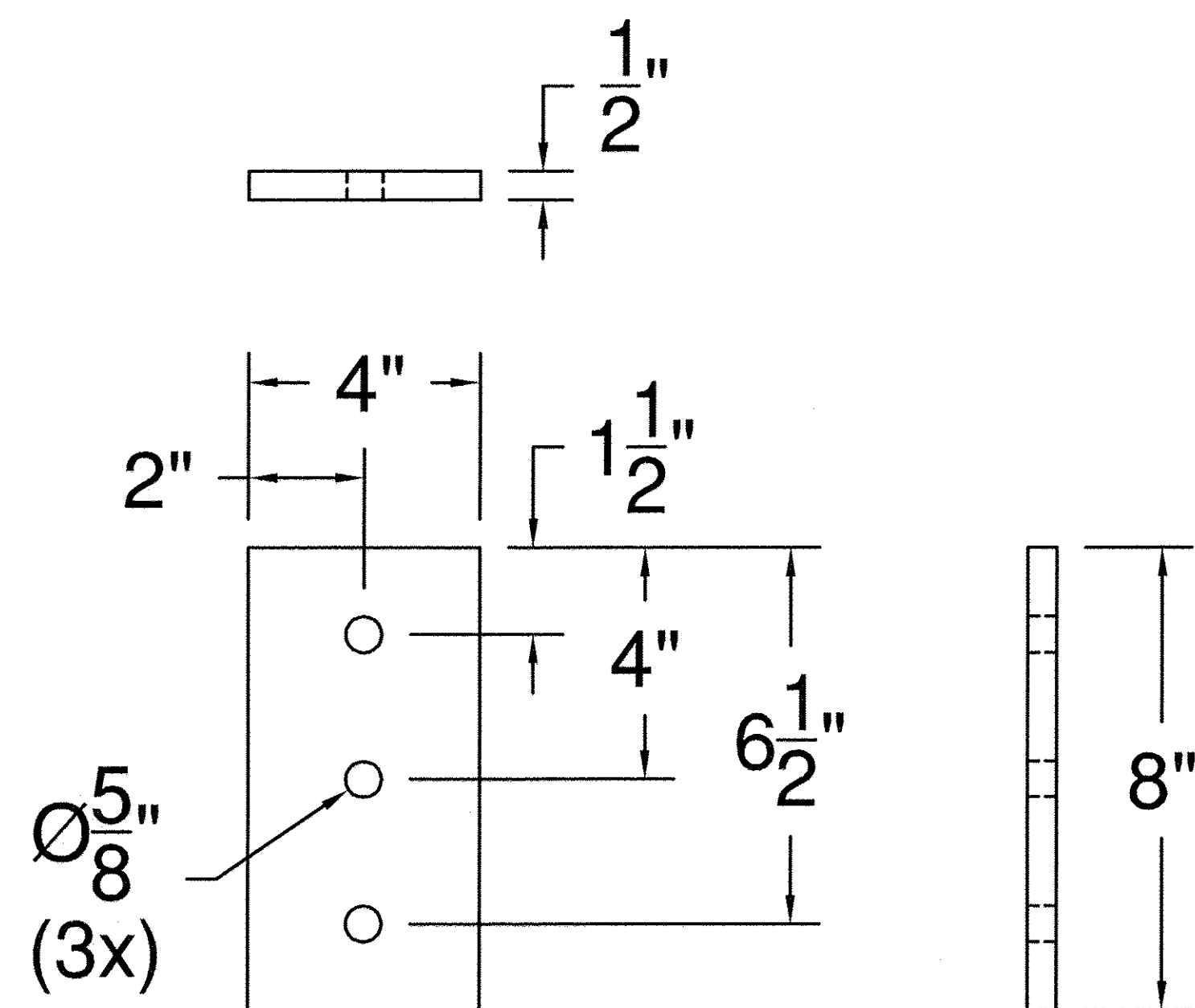
"Left" End Post Detail  
(2" Schd. 40 Pipe)



Intermediate Post Detail  
(2" Schd. 40 Pipe)



"Right" End Post Detail  
(2" Schd. 40 Pipe)



Post Base Plate Detail

Vermont Agency of Transportation  
**RECEIVED**

CK'D BY M. LONGSTREET OK'D BY MCL

January 29, 2013

RESUBMIT NO. Approved  
BY J. LACROIX DATE 01-30-2013

ITEM #: 900.640 GEN CONTR: F.R. LAFAYETTE - WARREN BRP 013-4 (14) SHEET 3 OF 3

APPROVED BY:

**SPECIAL PROVISION (CALVANIZED PEDESTRIAN HAND RAILING)**

EM12-200 WARREN BRP 013-4(14) VT ROUTE 100 (MINOR ARTERIAL) - BR NO. 173  
TOWN OF WARREN, WASHINGTON COUNTY, VERMONT

R NO.	DATE	DESCRIPTION	BY	R NO.	DATE	DESCRIPTION	BY
E 1	1/28/13	REVISED PER 12/12/12 MARK-UP	E.P.				
V				V			



**ELDERLEE, INC.**  
OAKS CORNERS, NEW YORK 14518  
E-Mail: dlong@elderlee.com  
Tel: 315-789-6670 Fax: 315-789-6615



DRAWN	D.L.	12/03/12
CHECKED	E.P.	12/04/12
APPROVED	M.V.	
SCALE	SCHEMATIC	
DRAWING NO.	F.R. LaFayette-EM12-200	