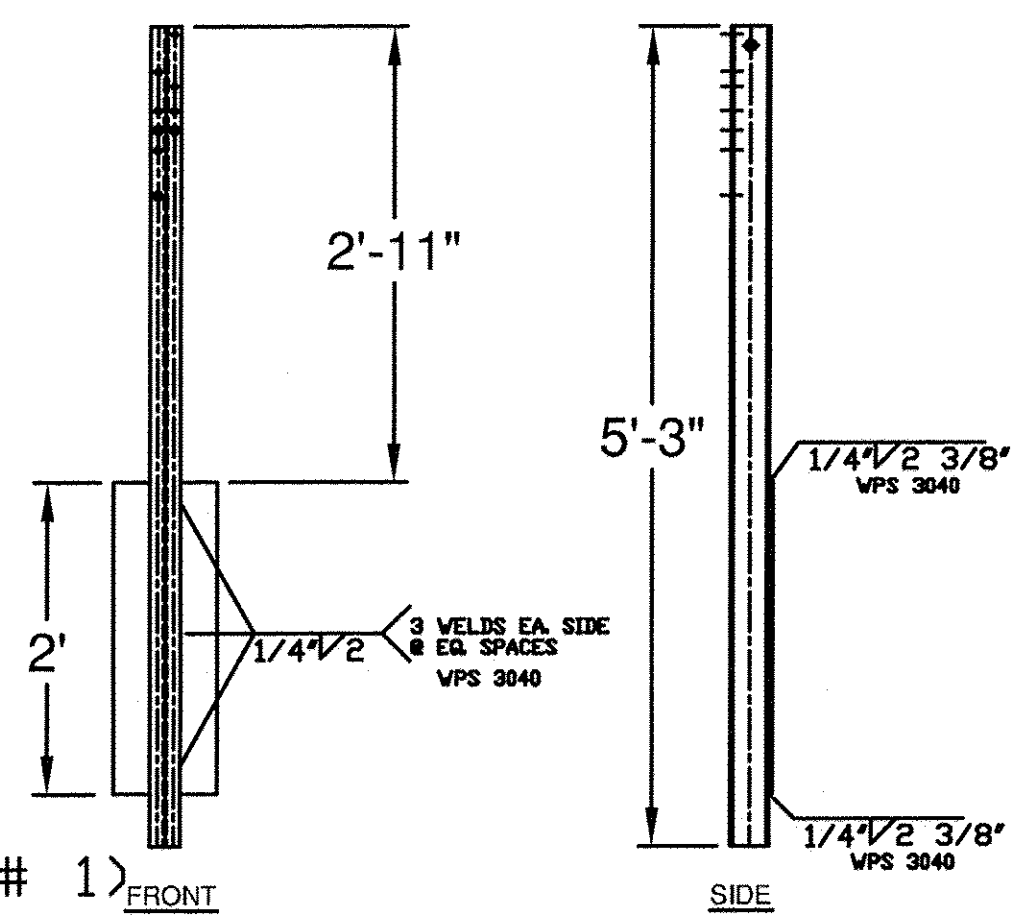
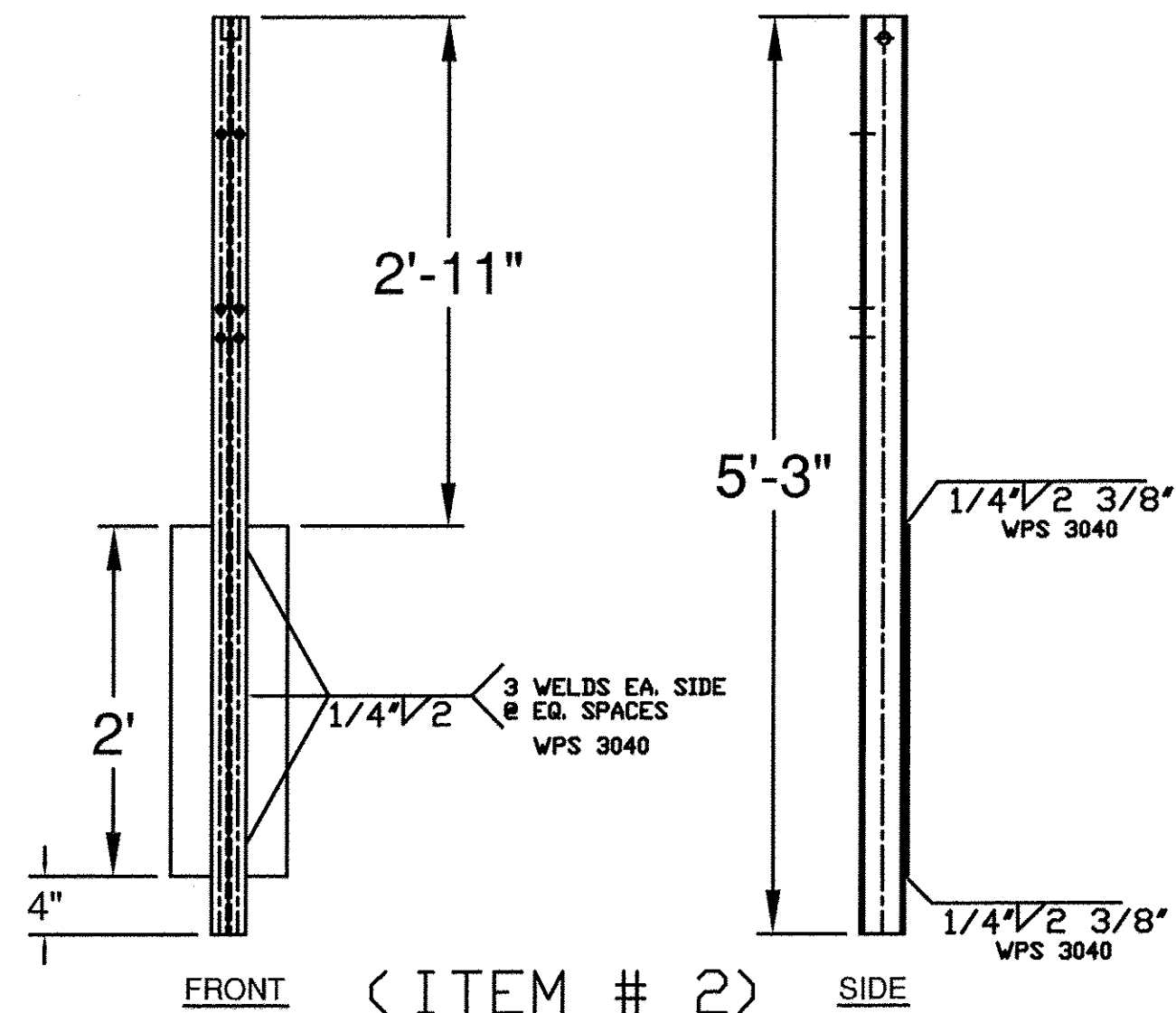


PLAN VIEW
1/4" SPADE



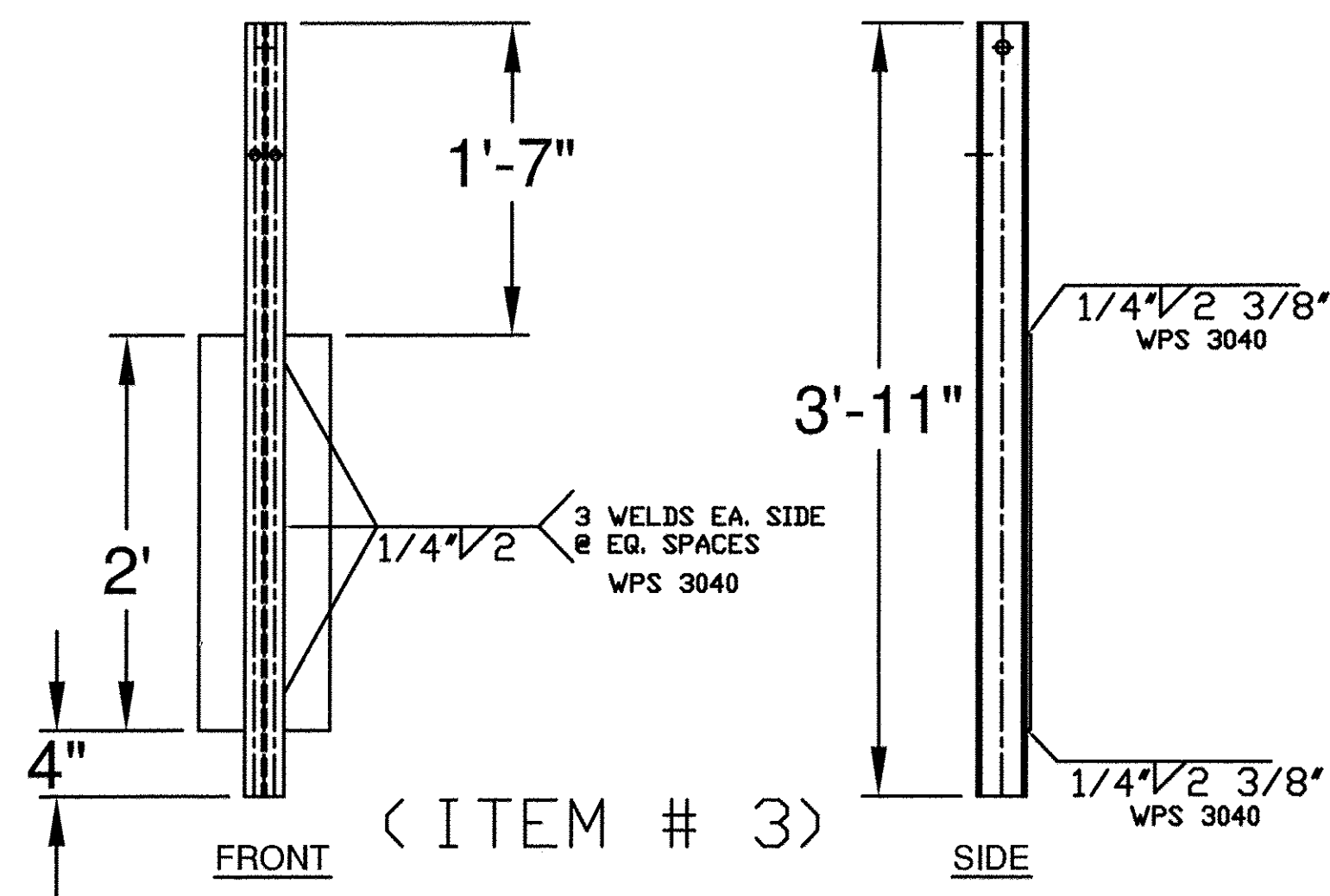
(ITEM # 1) FRONT SIDE

PLAN VIEW
1/4" SPADE



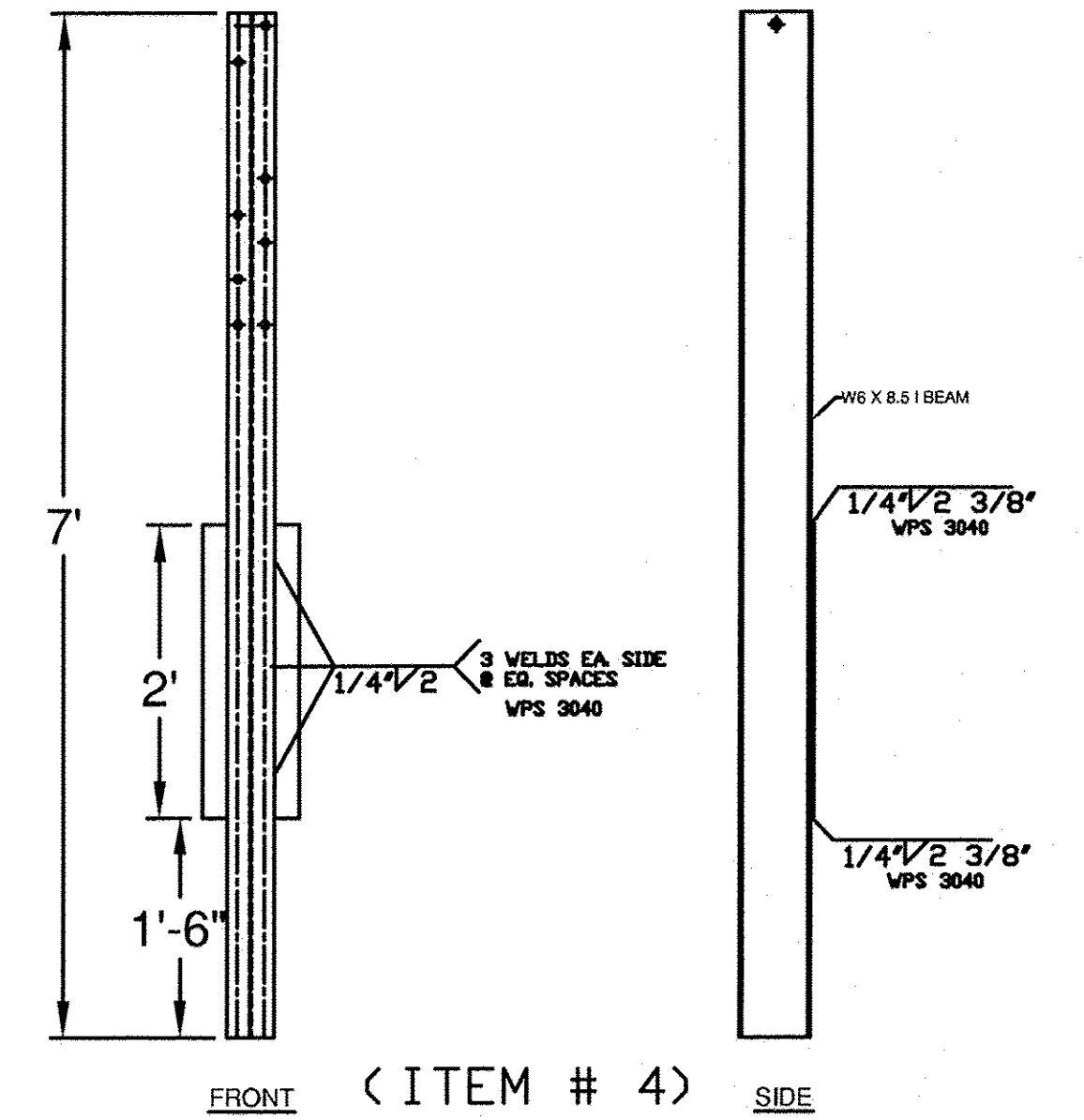
(ITEM # 2) FRONT SIDE

PLAN VIEW
1/4" SPADE



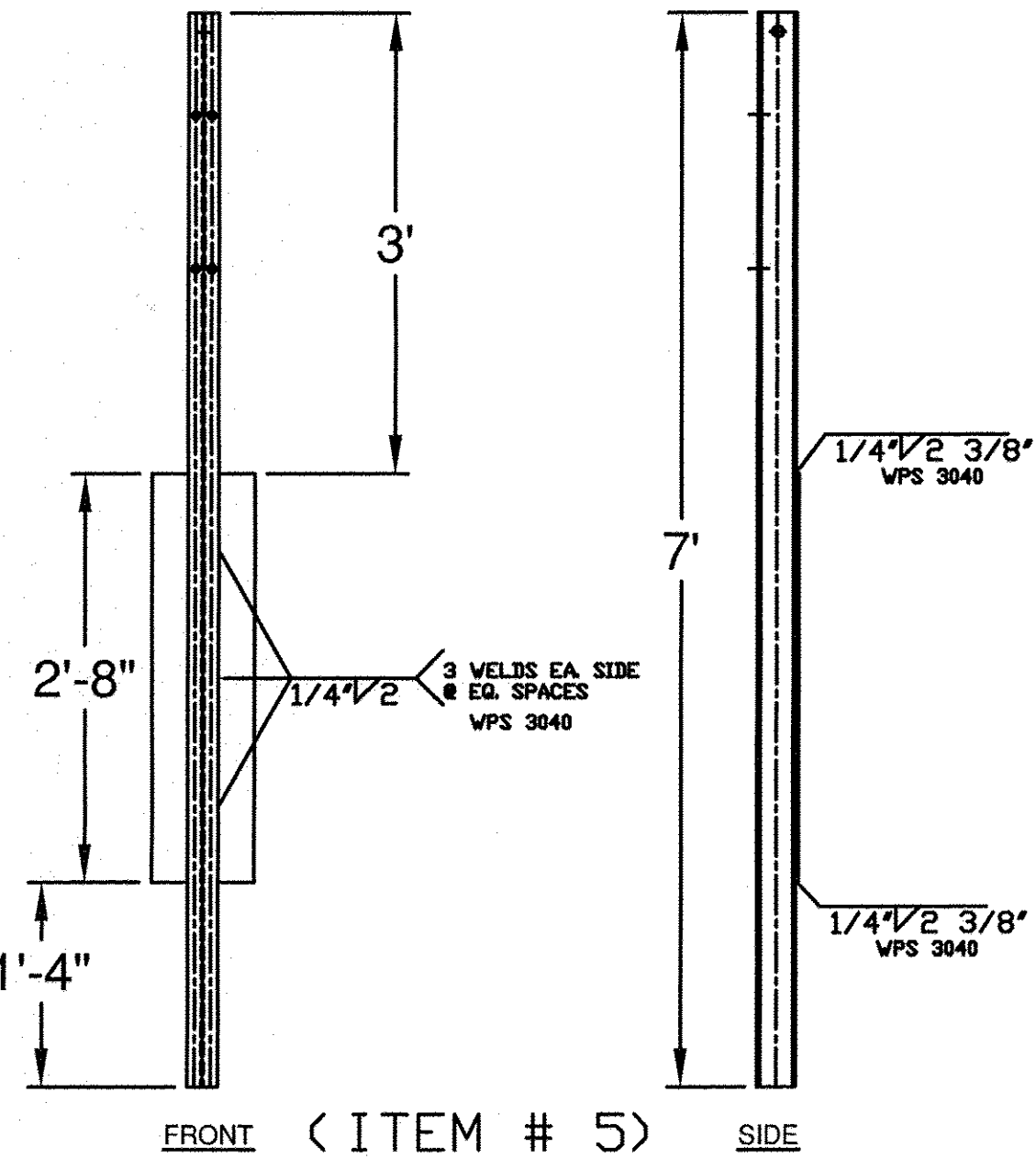
(ITEM # 3) FRONT SIDE

PLAN VIEW
1/4" SPADE

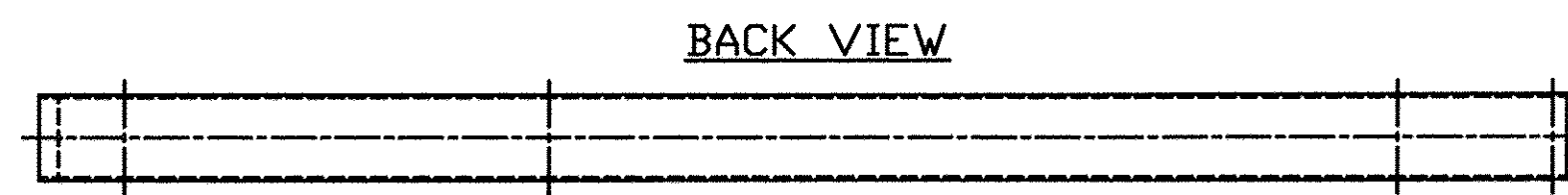


(ITEM # 4) FRONT SIDE

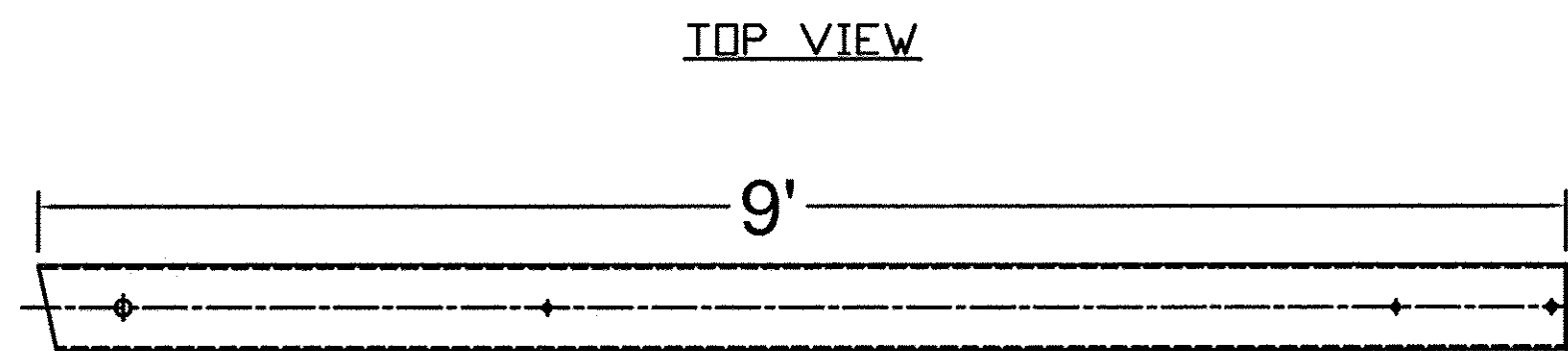
PLAN VIEW
1/4" SPADE



(ITEM # 5) FRONT SIDE

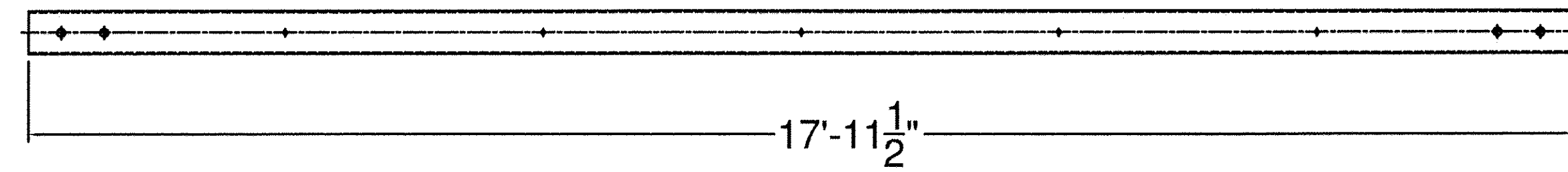


BACK VIEW



TOP VIEW

(ITEM # 15)



17'-11 1/2"

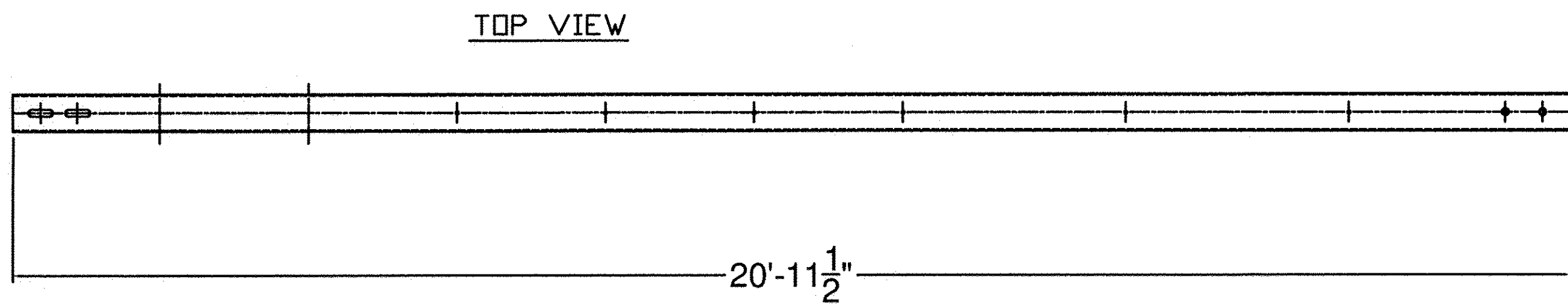
(ITEM # 16)



TOP VIEW

SIDE VIEW

(ITEM # 18)



TOP VIEW

SIDE VIEW



20'-11 1/2"

(ITEM # 17)

Vermont Agency of Transportation

RECEIVED

CK'D BY M. LONGSTREET OK'D BY MCL

January 29, 2013

RESUBMIT NO Approved
BY J. LACROIX DATE 01-30-2013

GENERAL NOTES:

- 1) ALL RAILING IS TO BE FABRICATED AND ERECTED ACCORDING TO SECTION 525 OF THE STANDARD SPECIFICATIONS.
- 2) BOLTS SHALL BE TORQUED SNUG TIGHT (APPROXIMATELY 100 FT-LB).
- 3) PROTRUSIONS CAUSED BY WELDING OR GALVANIZING ARE NOT PERMITTED ON THE ADJOINING SURFACES OF THE BOX BEAM RAILS, SPLICE TUBES AND FILL PLATES.

ITEM #: 900.620 GEN CONTR: F.R. Lafayette - Warren

APPROVED BY:

Galvanized 2-Rail Box Beam Guardrail Approach Section
WARREN BR# 013-4 (14) VERMONT ROUTE 100 (MINOR ARTERIAL) - BR NO. 173
TOWN OF WARREN, WASHINGTON COUNTY, VT

SHEET 2 OF 3

R NO.	DATE	DESCRIPTION	BY	R NO.	DATE	DESCRIPTION	BY
E 1	1/28/13	REVISED PER 12/12/12 MARK-UP	E.P.	E			
V			V				

<p>ELDERLEE, INC. OAKS CORNERS, NEW YORK 14518 E-Mail: dlong@elderlee.com Tel: 315-789-6670 Fax: 315-789-6615</p>	<p>CERTIFIED FABRICATOR</p>	DRAWN	D.L.	12/05/12
		CHECKED	E.P.	12/05/12
		APPROVED	M.V.	
SCALE		SCHEMATIC		
DRAWING NO.		FR Lafayette - WARREN-A		