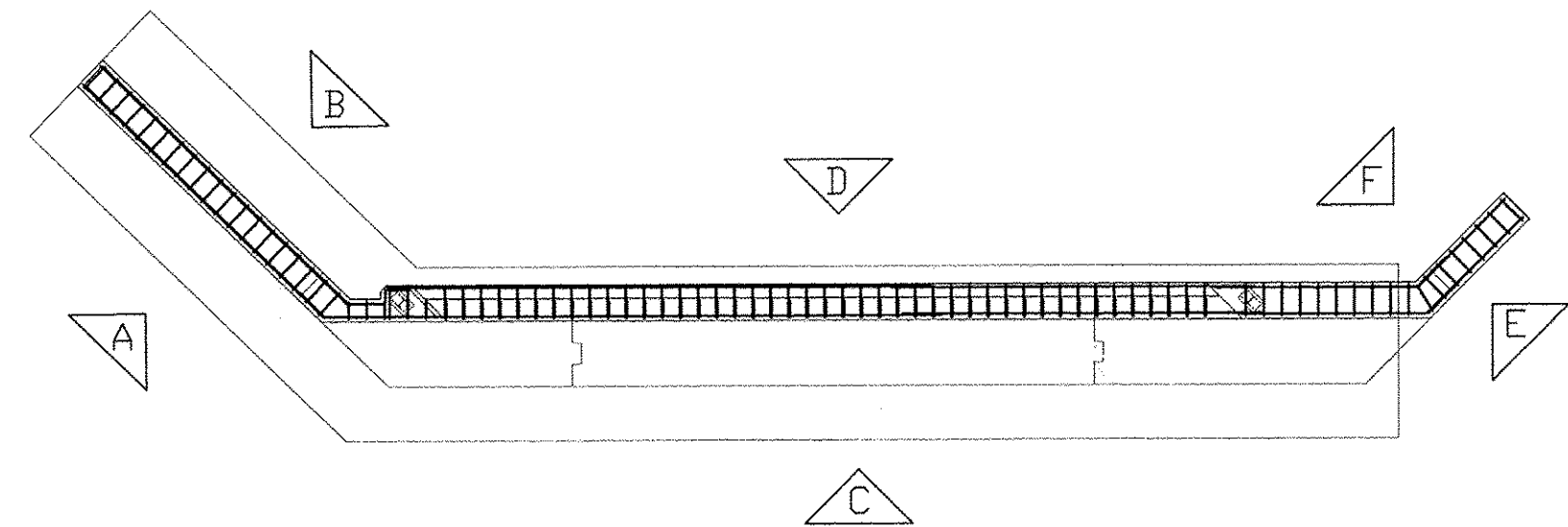
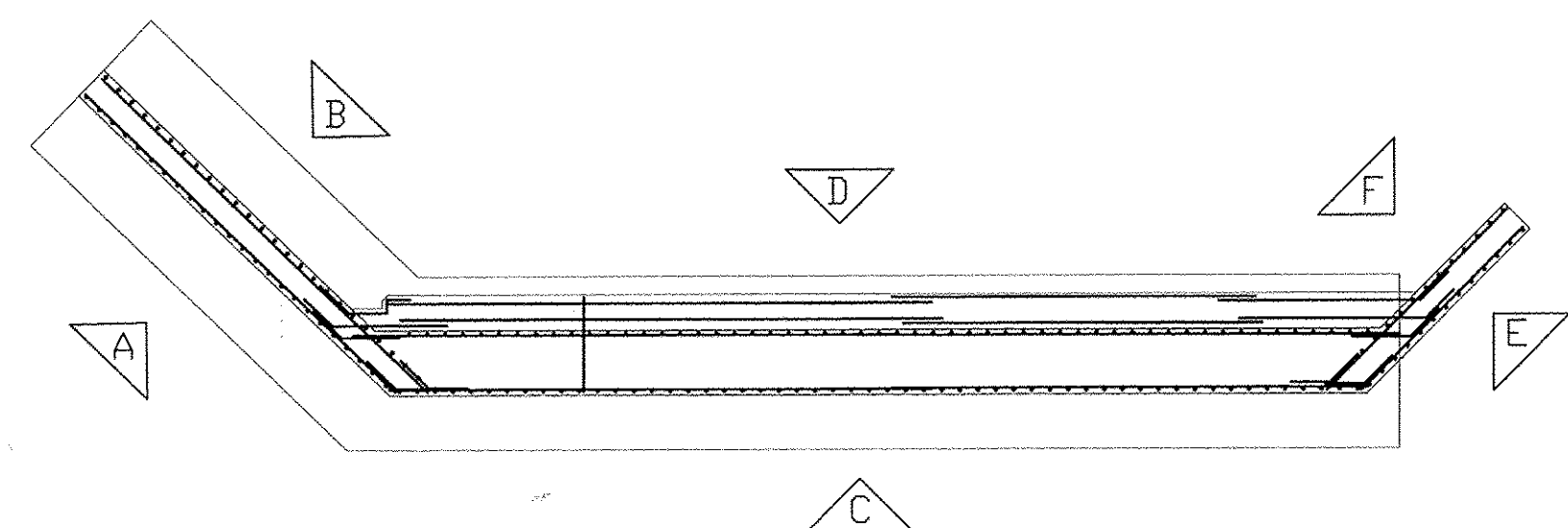


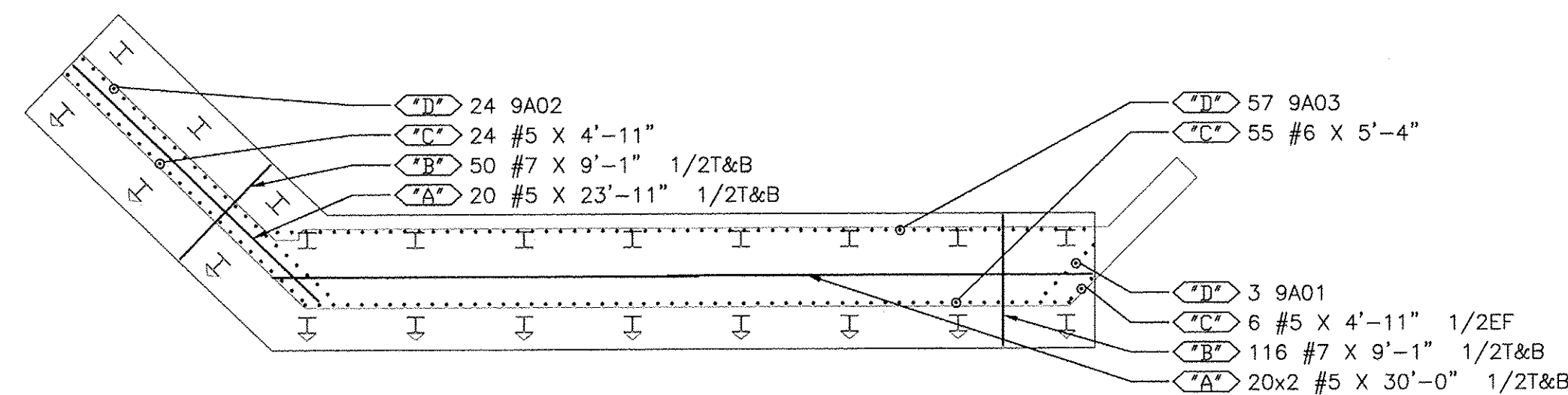
PLAN: ABUTMENT #1 & WINGWALLS #1 & #2  
REF: ABUTMENT #1 PLAN VIEW/ 50 of 83



PLAN 3: ABUTMENT #1 & WINGWALLS #1 & #2 ABOVE SEAT  
REF: WINGWALLS #1 & #2 CORNER DETAIL ABOVE SEAT/ 52 of 83

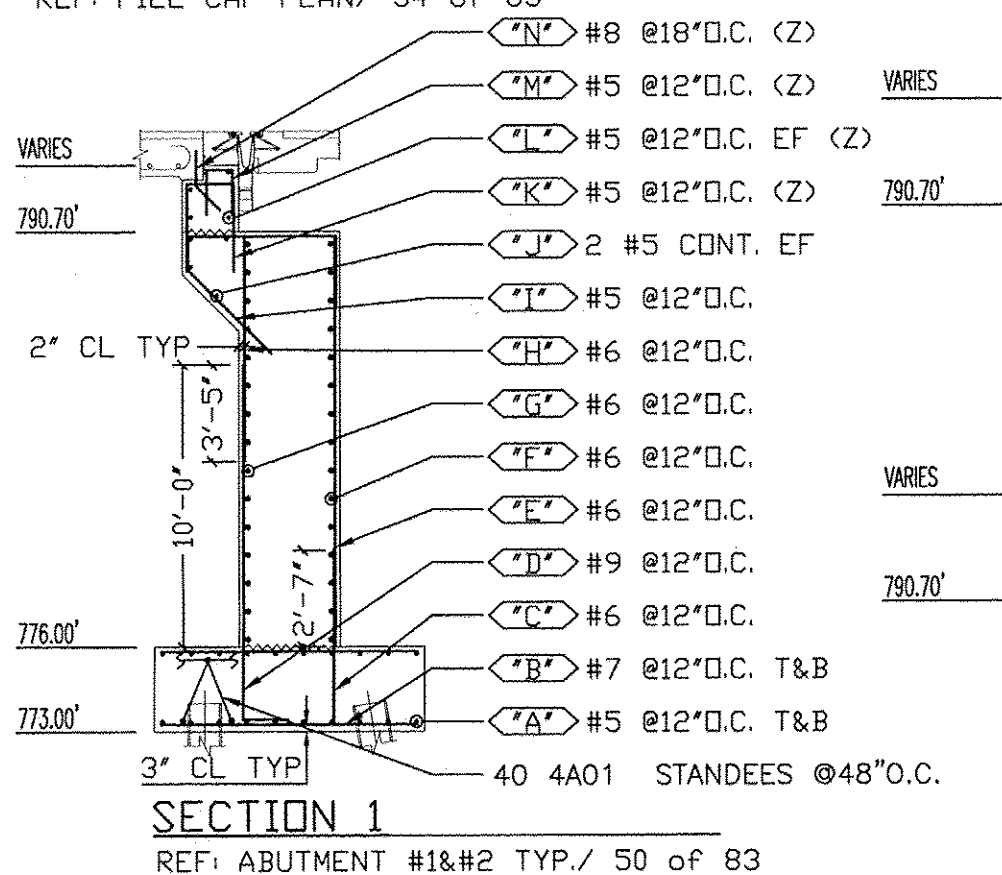


PLAN 2: ABUTMENT #1 & WINGWALLS #1 & #2 BELOW SEAT  
REF: WINGWALLS #1 & #2 CORNER DETAIL BELOW SEAT/ 52 of 83



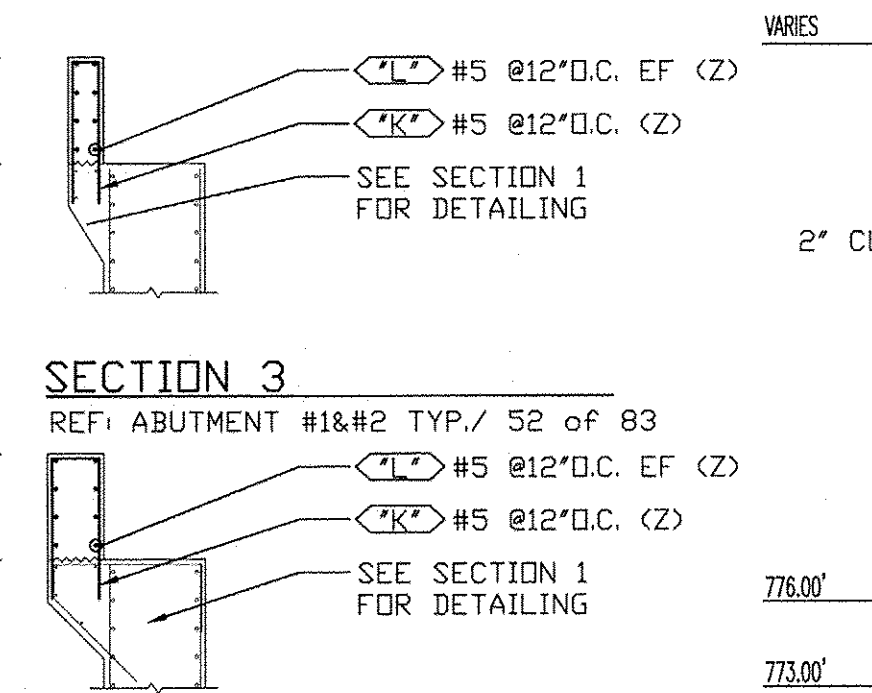
PLAN 1: PILE CAP

REF: PILE CAP PLAN/ 54 of 83



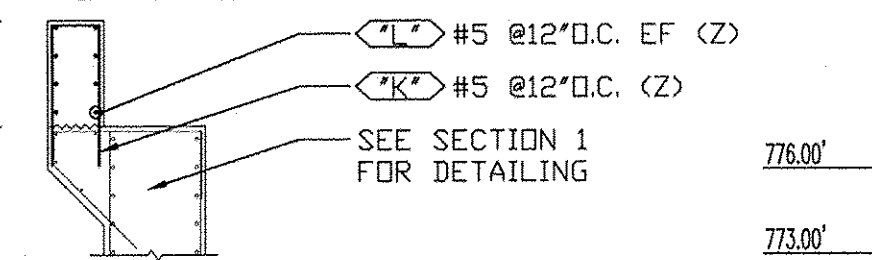
SECTION 1

REF: ABUTMENT #1&#2 TYP./ 50 of 83



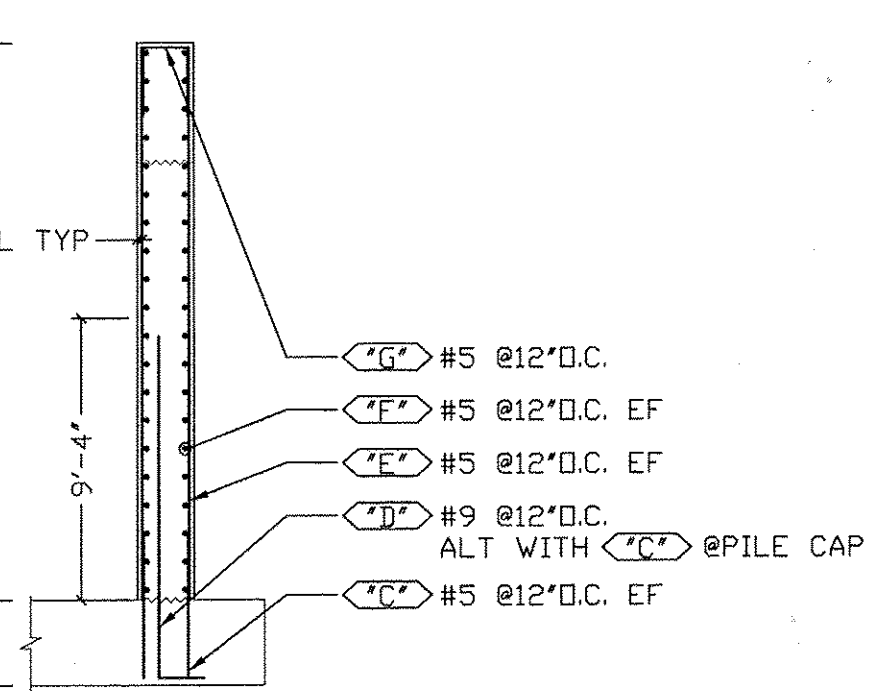
SECTION 3

REF: ABUTMENT #1&#2 TYP./ 52 of 83



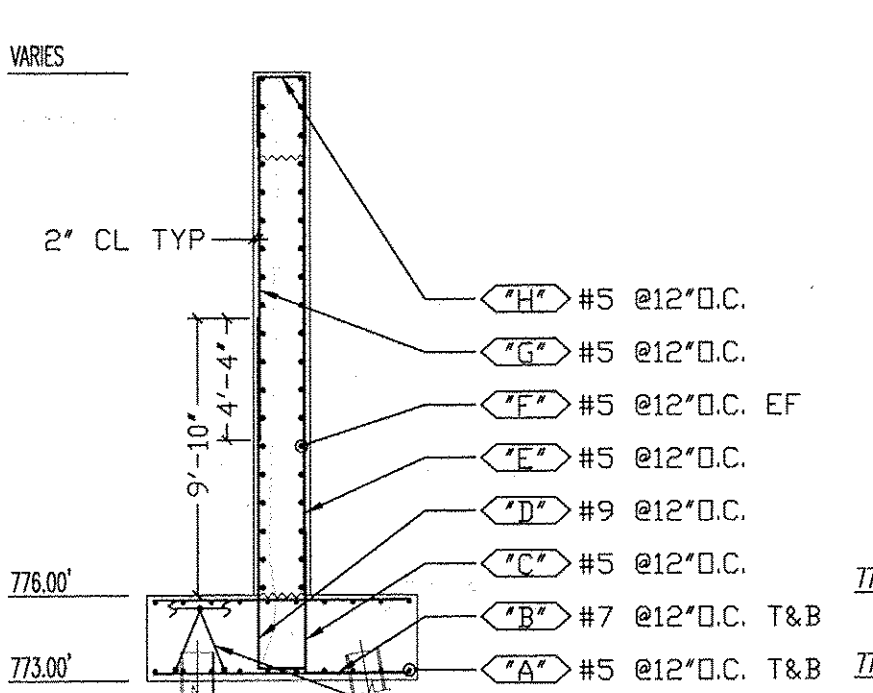
SECTION 2

REF: TYP. FULL WALL OUTSIDE FASCIA/ 52 of 83



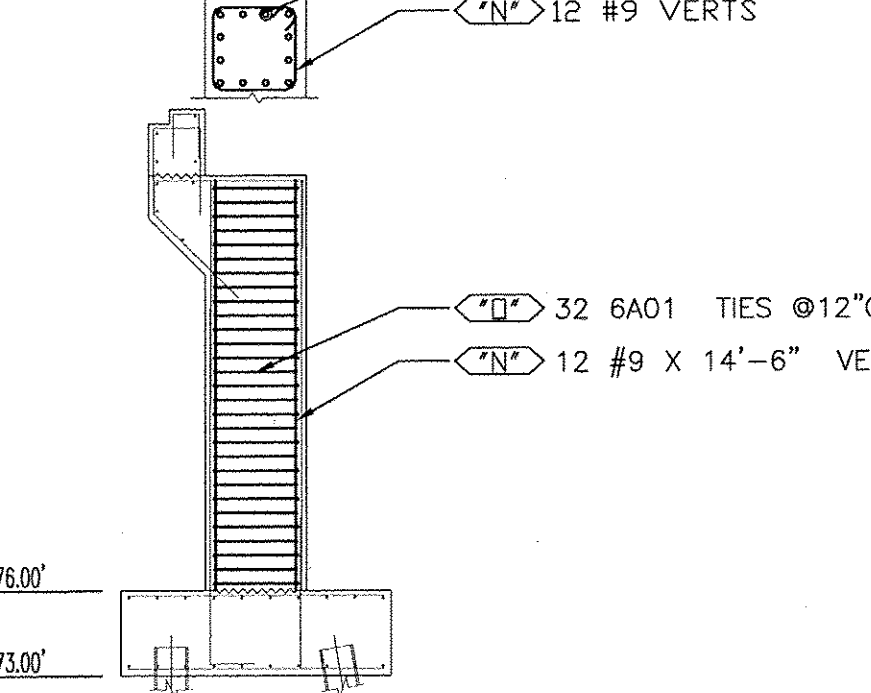
SECTION 4

REF: WINGWALL #1&#4 TYP./ 52 of 83



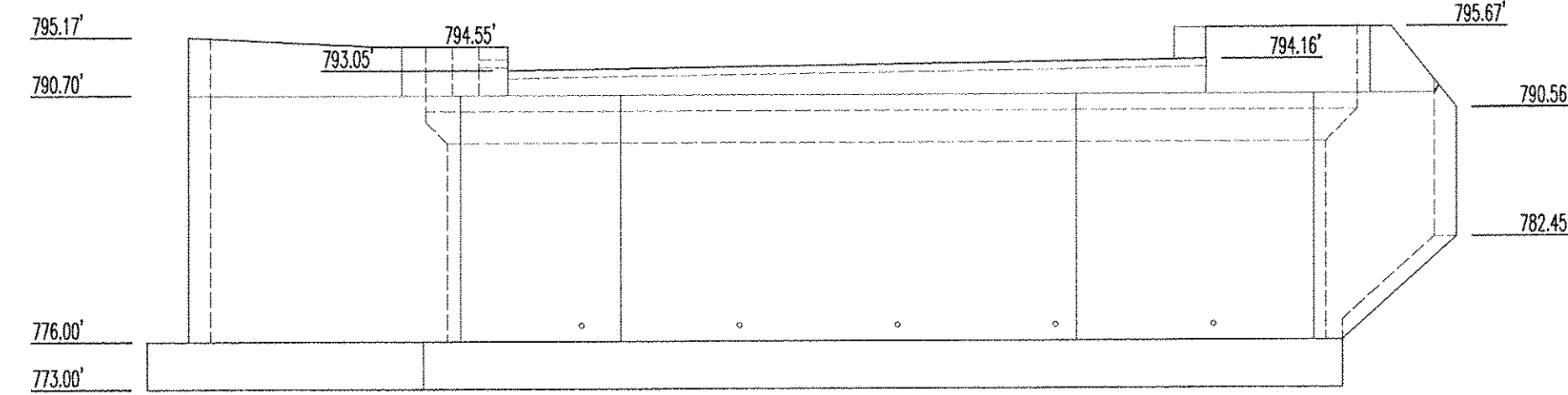
SECTION 5

REF: WINGWALL #2&#3 TYP./ 52 of 83



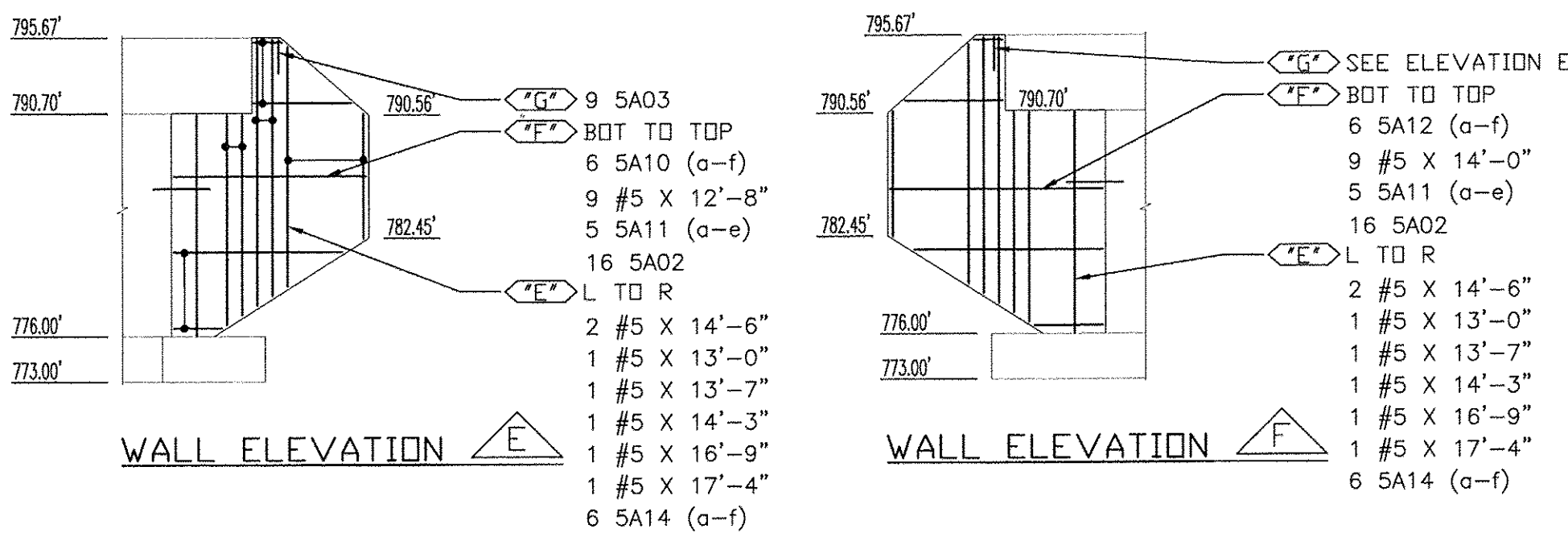
PIERS @BEARING LOCATIONS (PB)

REF: A-A DETAIL/ 50 of 83 (2 THUS)



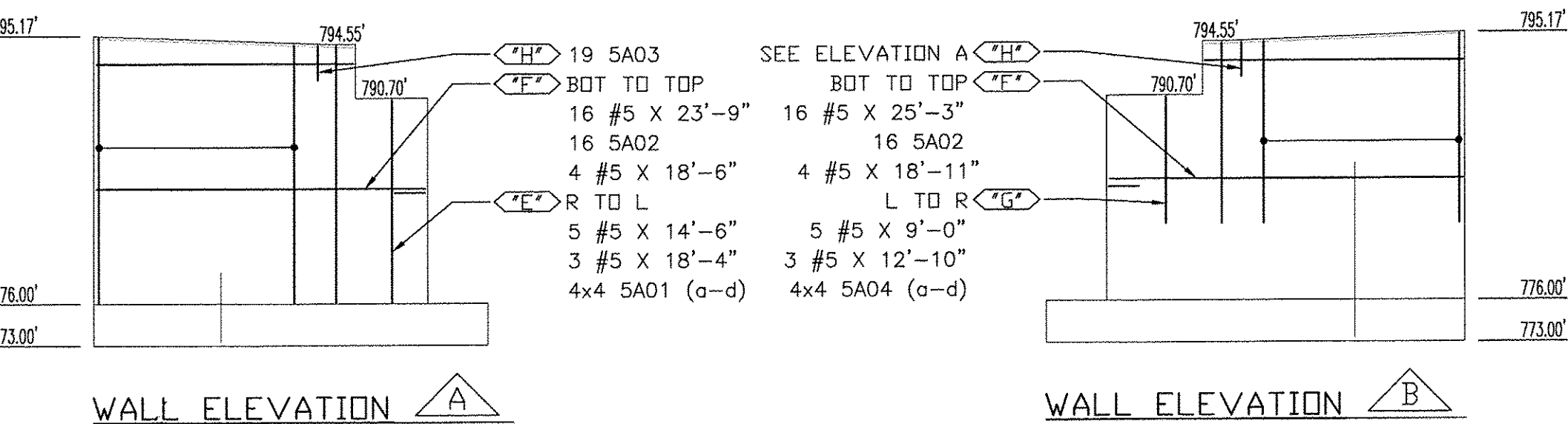
ABUTMENT #1 & WINGWALLS #1 & #2 ELEVATION

REF: ABUTMENT #1 ELEVATION/ 50 of 83



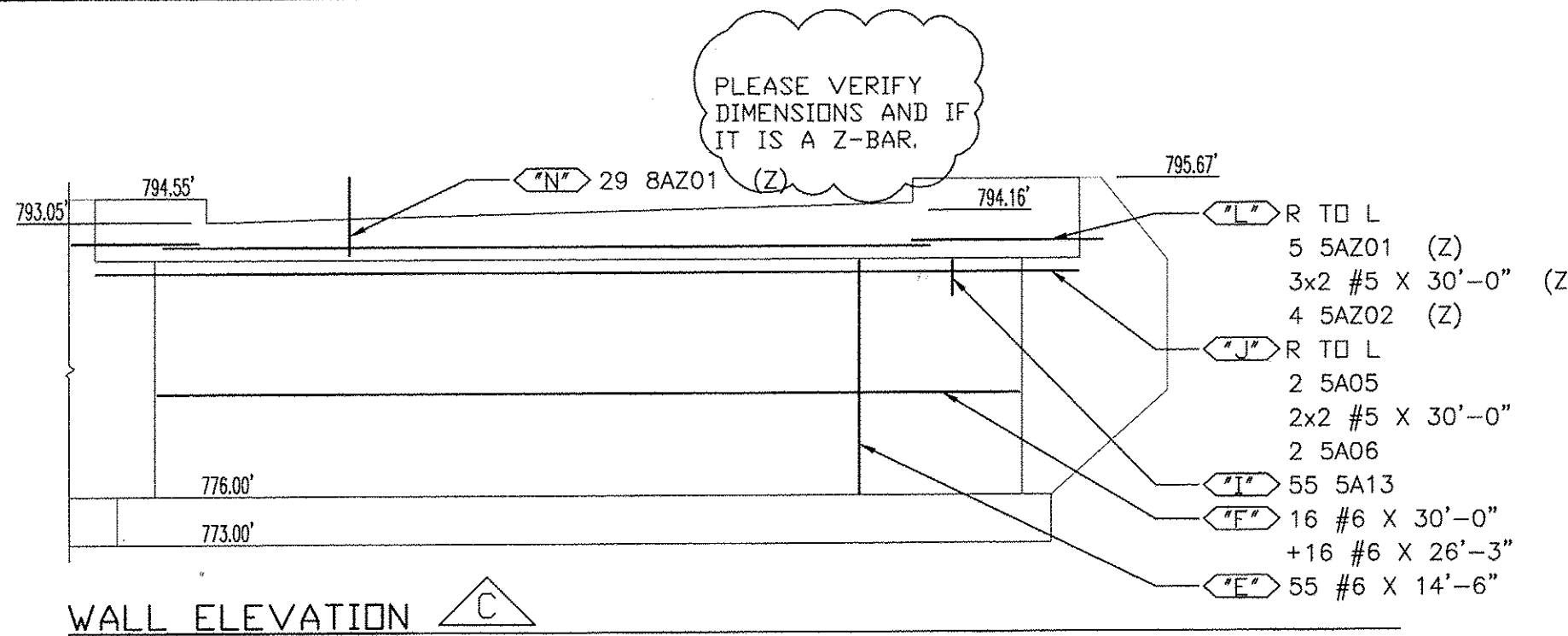
WALL ELEVATION E

WALL ELEVATION F

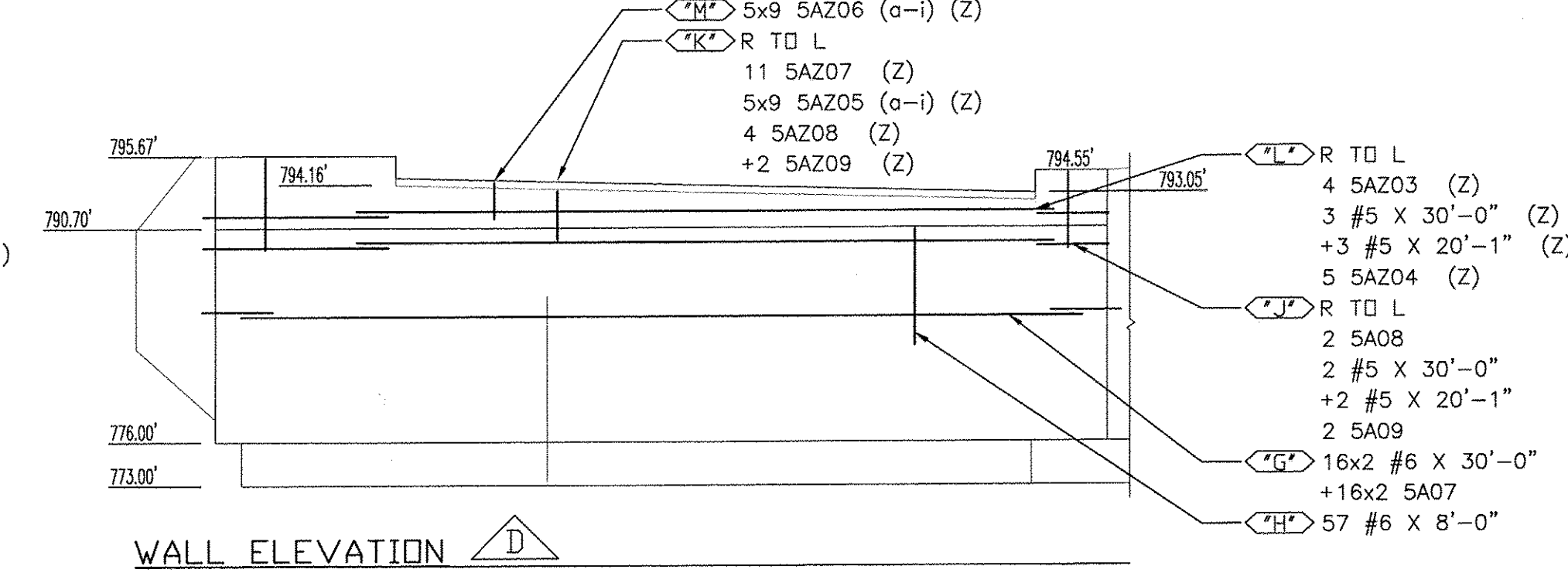


WALL ELEVATION A

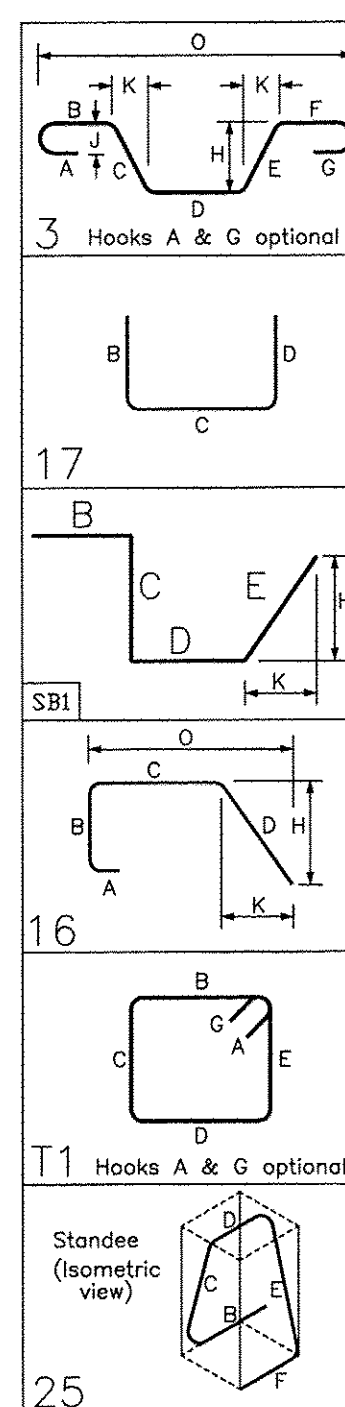
WALL ELEVATION B



WALL ELEVATION C



WALL ELEVATION D



Release Number: 101		BEND SCHEDULE											
Bar Mark	Qty	Size	Total Length	Type	X'	Y'	Z'	U'	V'	W'	X'	Y'	Z'
4A01	40	#4	9'-3 3/4"	25		1'-6"	2'-4 1/2"	1'-6"	2'-4 1/2"	1'-6"		2'-4"	1'-2"
5A01a	4	#5	18'-5"			18'-5"							
Varies To													
5A01d	4	#5	18'-10"			18'-10"						1'-6"	1'-7"
5A02	64	#5	4'-4"	3		2'-2"	2'-2"						3'-9"
5A03	28	#5	6'-0"	17		2'-2"	1'-8"	2'-2"					
5A04a	4	#5	12'-11"			12'-11"							
Varies To													
5A04d	4	#5	13'-4"			13'-4"						1'-7"	1'-7"
5A05	2	#5	12'-6 1/2"	3		10'-4"	2'-2 1/2"					1'-6"	1'-7"
5A06	2	#5	8'-6 1/2"	3		6'-4"	2'-2"					1'-6"	7'-11"
5A07	32	#5	5'-6 1/2"	3		3'-4"	2'-2 1/2"					1'-7"	4'-11"
5A08	2	#5	6'-3 1/2"	SB1		1'-3"	0'-9"	2'-1"	2'-2"			1'-6"	1'-7"
5A09	2	#5	13'-4 1/2"	3		11'-2"	2'-2 1/2"					1'-7"	12'-8"
5A0a	1	#5	3'-2"			3'-2"							
Varies To													
5A10f	1	#5	11'-1"			11'-1"							
5A11a	2	#5	1'-10"			1'-10"							
Varies To													
5A11e	2	#5	6'-5"			6'-5"							
5A12b	1	#5	4'-6"			4'-6"							
Varies To													
5A12f	1	#5	12'-5"			12'-5"	1'-3 1/2"	4'-2 1/2"				3'-0"	3'-0"
5A13	55	#5	12'-11 1/2"	16		2'-2"	3'-3"	1'-3 1/2"	4'-2 1/2"				4'-3 1/2"
5A14a	2	#5	7'-11"			7'-11"							
Varies To													
5A14f	2	#5	15'-5"			15'-5"							0'-8"
6A01	64	#6	13'-0"	11		0'-8"	2'-11"	2'-11"	2'-11"	2'-11"			0'-8"
9A01	3	#9	13'-8"	17		1'-7"	12'-1"						
9A02	24	#9	14'-2"	17		1'-7"	12'-7"						
9A03	57	#9	14'-4"	17		1'-7"	12'-9"						

Release Number: 201		BEND SCHEDULE											
Bar Mark	Qty	Size	Total Length	Type	X'	Y'	Z'	U'	V'	W'	X'	Y'	Z'
5A201	5	#5	12'-6 1/2"	3		10'-4"	2'-2 1/2"					1'-7"	1'-7"
5A202	4	#5	8'-6 1/2"	3		6'-4"	2'-2"					1'-6"	7'-11"
5A203	4	#5	6'-3 1/2"	3		1'-3"	0'-9"	2'-1"	2'-2"			1'-6"	1'-7"
5A204	5	#5	13'-4 1/2"	3		11'-2"	2'-2 1/2"					1'-7"	12'-8"
5A205a	5	#5	8'-4 1/2"	17		3'-4"	1'-8"	3'-4"					
Varies To													
5A205f	5	#5	10'-3"	17		4'-3 1/2"	1'-8"	4'-3 1/2"					
5A206a	5	#5	5'-3"	17		2'-2"	0'-11"	2'-2"					
Varies To													
5A206f	5	#5	7'-3"	17		3'-2"	0'-11"	3'-2"					
5A207	11	#5	12'-2"	17		5'-3"	1'-8"	5'-3"					
5A208	4	#5	13'-6"	17		6'-3 1/2"	0'-11"	6'-3 1/2"					
5A209	2	#5	14'-3"	17		6'-3 1/2"	1'-8"	6'-3 1/2"					
8A201	29	#8	2'-5"	3		1'-3"	1'-2"					0'-10"	0'-10"
												2'-1"	

Vermont Agency of Transportation  
**RECEIVED**  
CK'D BY C. Burrall OK'D BY C. Burrall  
January 14, 2013  
RESUBMIT NO Approved AsNoted  
BY J. Lacroix DATE 01/17/13

LEGENDS:  
CONT-CONTINUOUS  
TRANS-TRANSVERSE  
DWLS-DOWELS  
VERTS-VERTICAL  
HORIZ-HORIZONTAL  
T&B -TOP & BOTTOM  
IF-INNER FACE  
OF-OUTER FACE  
EW-EACH FACE  
O.C.-ON CENTER  
LW-LONG WAY  
SW-SHORT WAY  
(Z)-Z-BAR

ELEVATIONS & DIMENSIONS SHOWN ON THIS DWG. ARE FOR REINF. DETAILING PURPOSES ONLY AND ARE NOT INTENDED FOR CONSTRUCTION.  
FOOTING AND HORIZ. WALL REINF. LAP=2'-2"

**FOR APPROVAL**

6			
5			
4			
3			
2			
1	1/14/13	0	APPROVAL
DATE	REV.#	SENT FOR	
<b>DIMENSION</b>			
DIMENSION FABRICATORS INC.			
2000 7th STREET ROSELAND, N.J. 07068 PH: (908) 374-1830 FAX: (908) 374-4830 www.dimensionfabricators.com			
STRUCTURE:	VTAOT WARREN BRG 013-14(4)		
LOCATION:	WARREN, VERMONT		
ARCHITECT:	VERMONT AGENCY OF TRANSPORTATION		
CUSTOMER:	S.D. IRELAND CONCRETE CONSTR. GROUP		
DRAWN BY:	ASHLEE G.	DATE:	1/14/13
DRAWING NO.:	8387	DWG #:	
ABUTMENT 1 REINFORCING		DRAWING #:	A