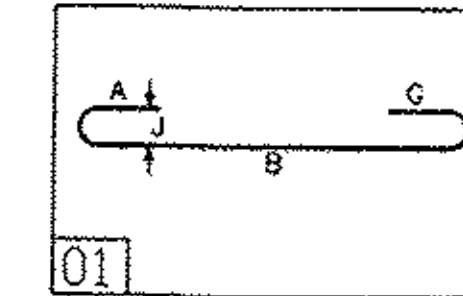
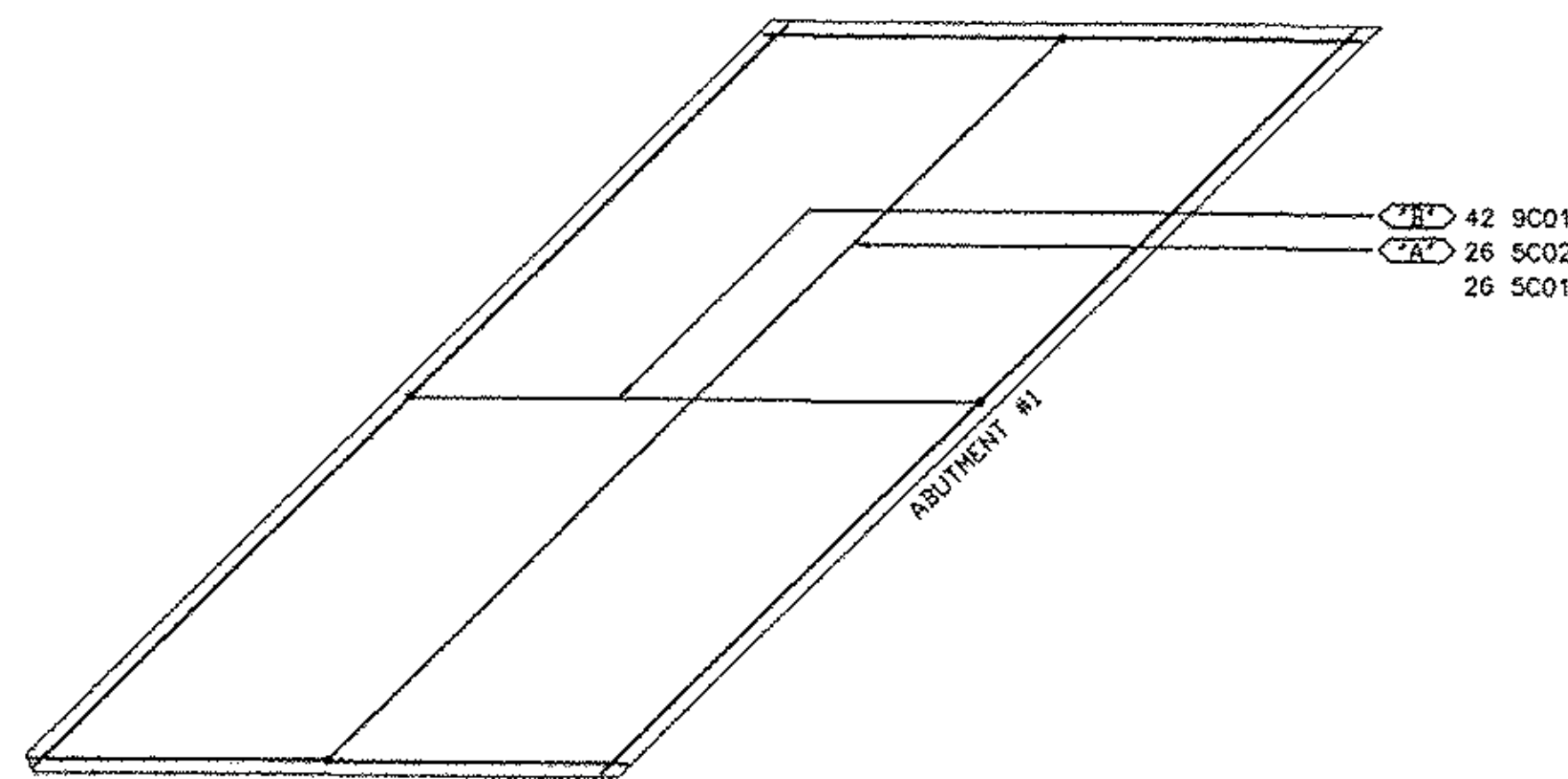


APPROACH SLAB A				BEND SCHEDULE													
Bar Mark	Qty	Size	Total Length	Type	A'	B'	C'	D'	E'	F'	G'	H'	I'	J'	K'	L'	M'
5C02	26	#5	30'-0"			30'-0"											
9C01	42	#9	25'-9"	1	1'-3"	24'-6"								0'-11 1/2"			
5C01	26	#5	15'-6"			15'-6"											

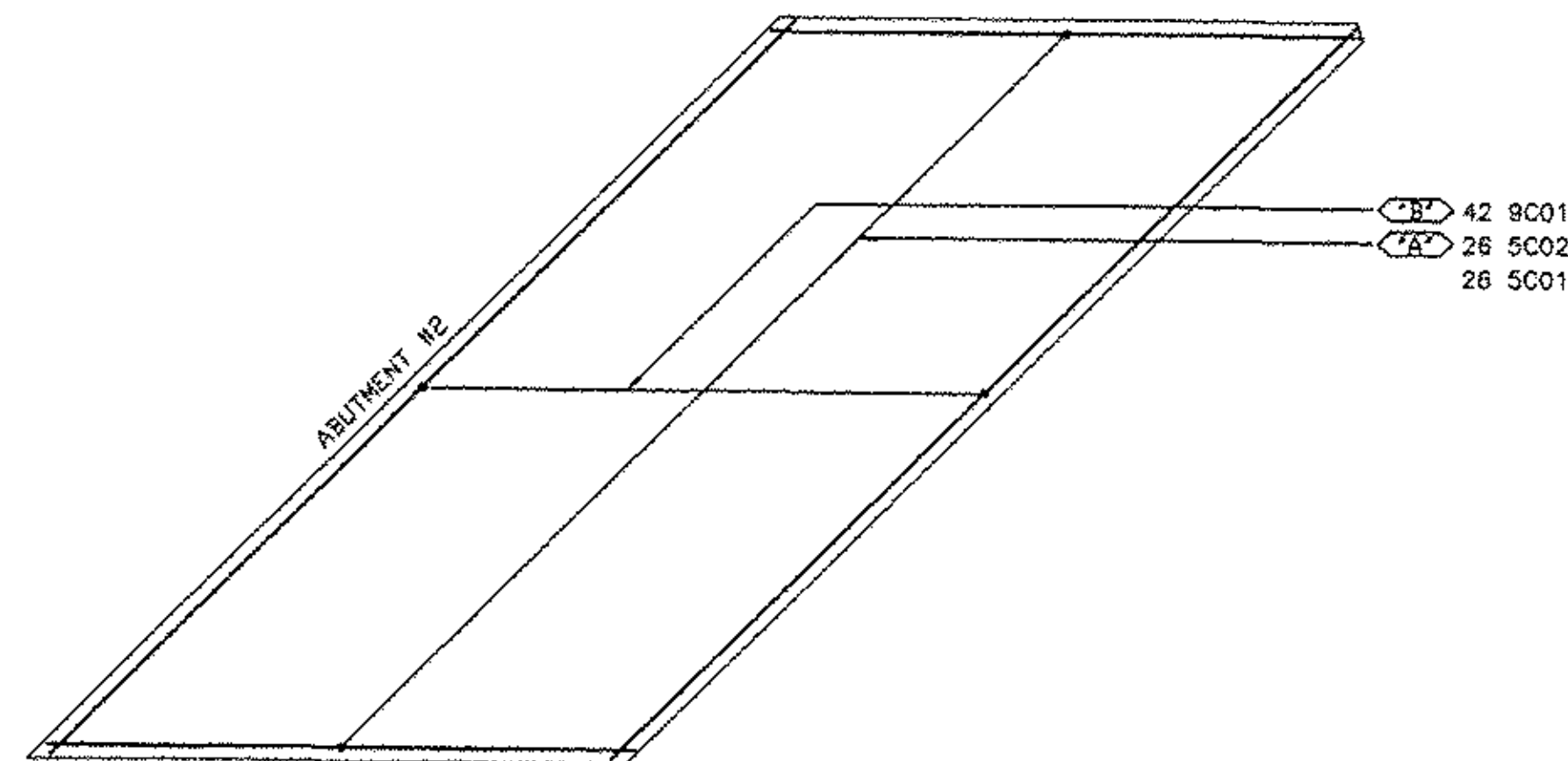
APPROACH SLAB B				BEND SCHEDULE													
Bar Mark	Qty	Size	Total Length	Type	A'	B'	C'	D'	E'	F'	G'	H'	I'	J'	K'	L'	M'
5C02	26	#5	30'-0"			30'-0"											
9C01	42	#9	25'-9"	1	1'-3"	24'-6"								0'-11 1/2"			
5C01	26	#5	15'-6"			15'-6"											



01



APPROACH SLAB #1 PLAN
CONTR. REF. APPROACH SLAB #1 PLAN



APPROACH SLAB #2 PLAN
CONTR. REF. APPROACH SLAB #2 PLAN

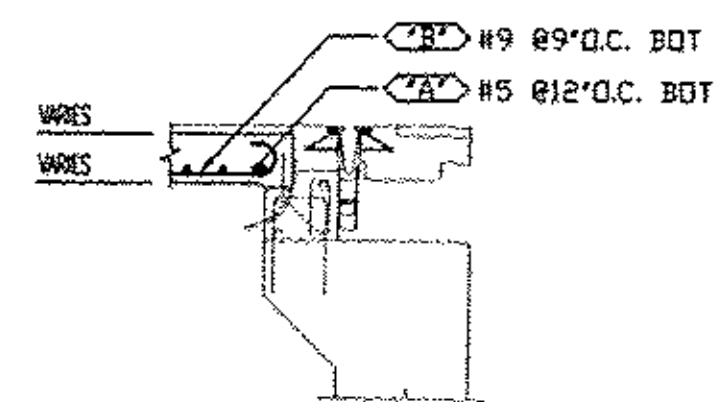
LEGENDS:
 CONT-CONTINUOUS
 TRANS-TRANSVERSE
 DMLS-DOWELS
 VERTS-VERTICAL
 HORIZ-HORIZONTAL
 T&B -TOP & BOTTOM
 IF-INNER FACE
 OF-OUTER FACE
 EF-EACH FACE
 EW-EACH WAY
 O.C.-ON CENTER
 LW-LONG WAY
 SW-SHORT WAY

BLACK REINFORCING BAR-ASTM A615 GRADE 60
 DUAL COATED BARS-ASTM A1055 (Z) BAR
 DUAL COATED BAR DENOTED (Z)

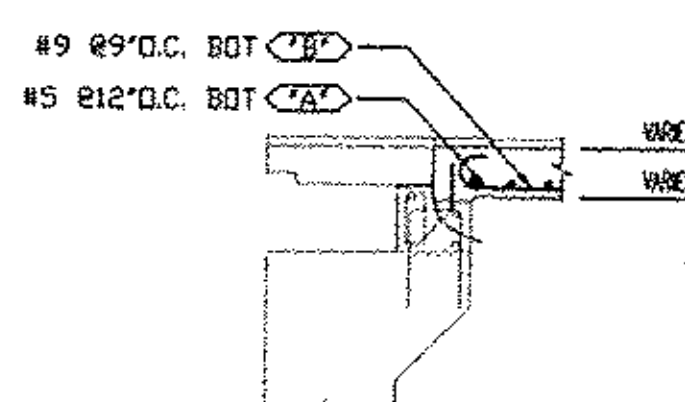
ELEVATIONS & DIMENSIONS SHOWN
 ON THIS DWG. ARE FOR REINF.
 DETAILING PURPOSES ONLY AND ARE
 NOT INTENDED FOR CONSTRUCTION.

FOOTING AND HORIZ. WALL REINF.
 LAP=2'-2"

FOR FIELD USE



SECTION 1
REF. APPROACH SLAB #1 & BEGIN BRIDGE DETAIL/ 56 OF 83



SECTION 2
REF. APPROACH SLAB #1 & BEGIN BRIDGE DETAIL/ 56 OF 83

6			
5			
4			
3	8/19/13	DETAILER REVIEW/FOR RECORD	
2	1/18/13	APPROVED AS NOTED/FOR APPROVAL	
1	1/14/13	APPROVAL	
	DATE	REV.#	SENT FOR
DIMENSION			
DIMENSION FABRICATORS INC.			
VT/AT WARREN BR/ 013-14(4)			
LOCATION	WARREN, VERMONT		
ARCHITECT	VERMONT AGENCY OF TRANSPORTATION		
OWNER	S.D. IRELAND CONCRETE CONSTR. GROUP		
DRAWN BY	DATE	REV.#	
ASHLEE G.	1/14/13	8367	
ABUTMENT 2 REINFORCING	DRAWING COVER		DRAWING #
			C