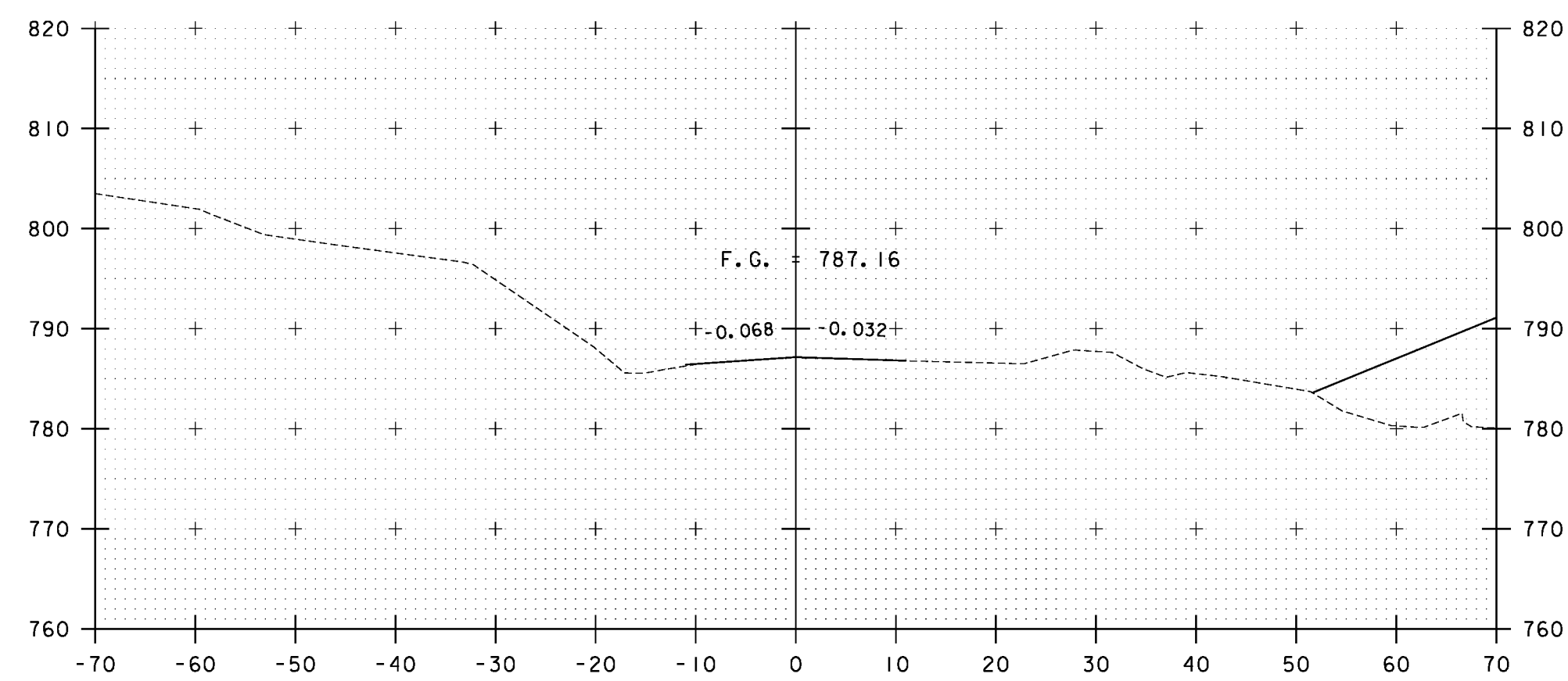
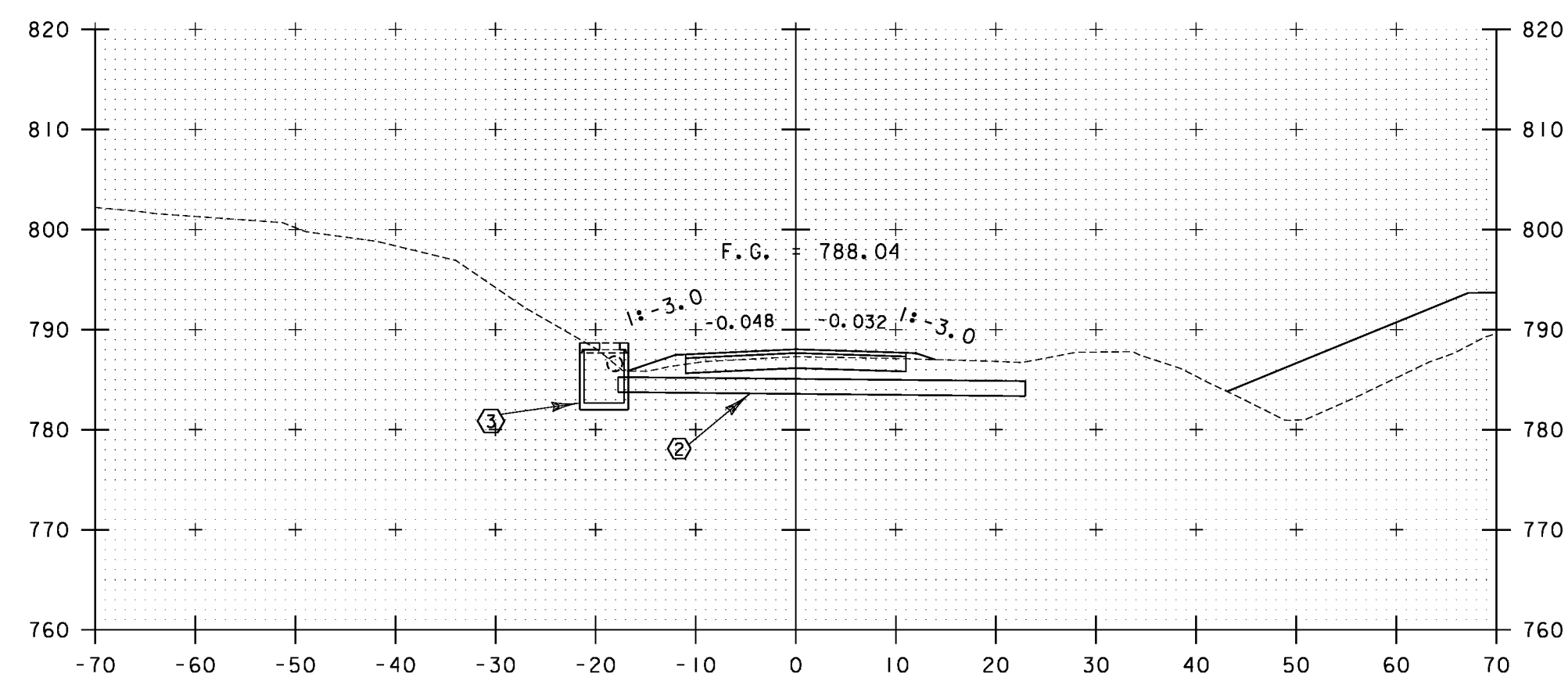


REVISED TH-41 WITH RAISED GRADE

USE THESE CROSS SECTION WITH THE CONTRACT PLAN CROSS SECTIONS FOR SIDE SLOPE AND DRAINAGE REQUIREMENTS



401+00



400+87

STA. 400+87 TO STA. 401+00

| | |
|-----------------|-------------------------|
| PROJECT NAME: | VAOT PROJECT NAME |
| PROJECT NUMBER: | PROJECT NUMBER |
| FILE NAME: | ppms*/Section/-----,dgn |
| PROJECT LEADER: | ----- |
| DESIGNED BY: | ----- |
| ----- | ----- |
| PLOT DATE: | ****DATE*** |
| DRAWN BY: | ----- |
| CHECKED BY: | ----- |
| SHEET | SS** OF **** |