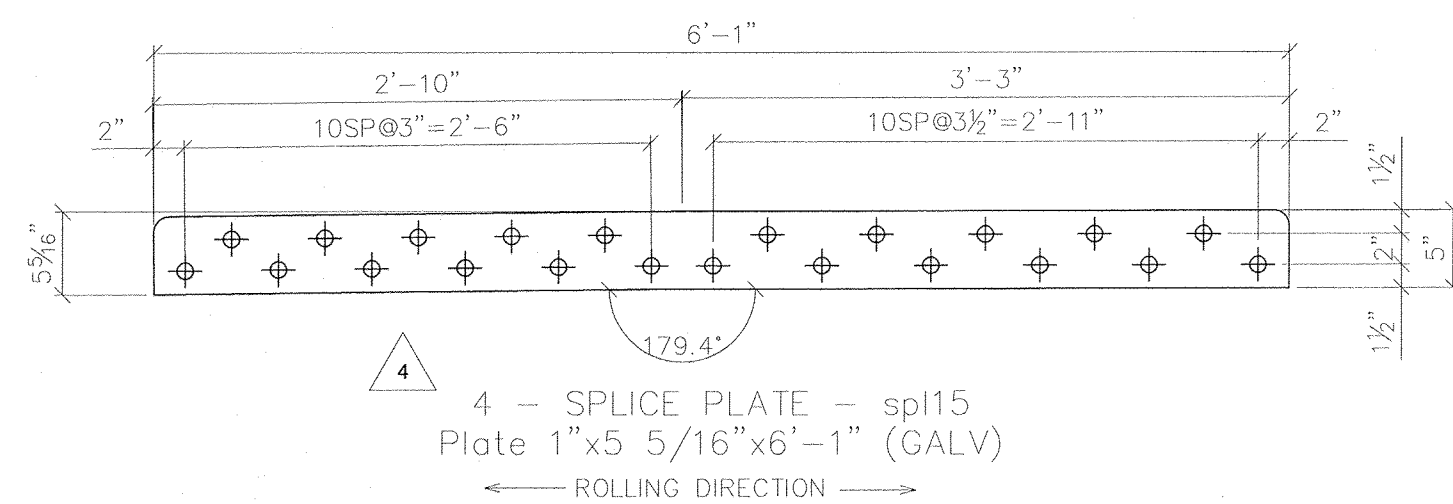
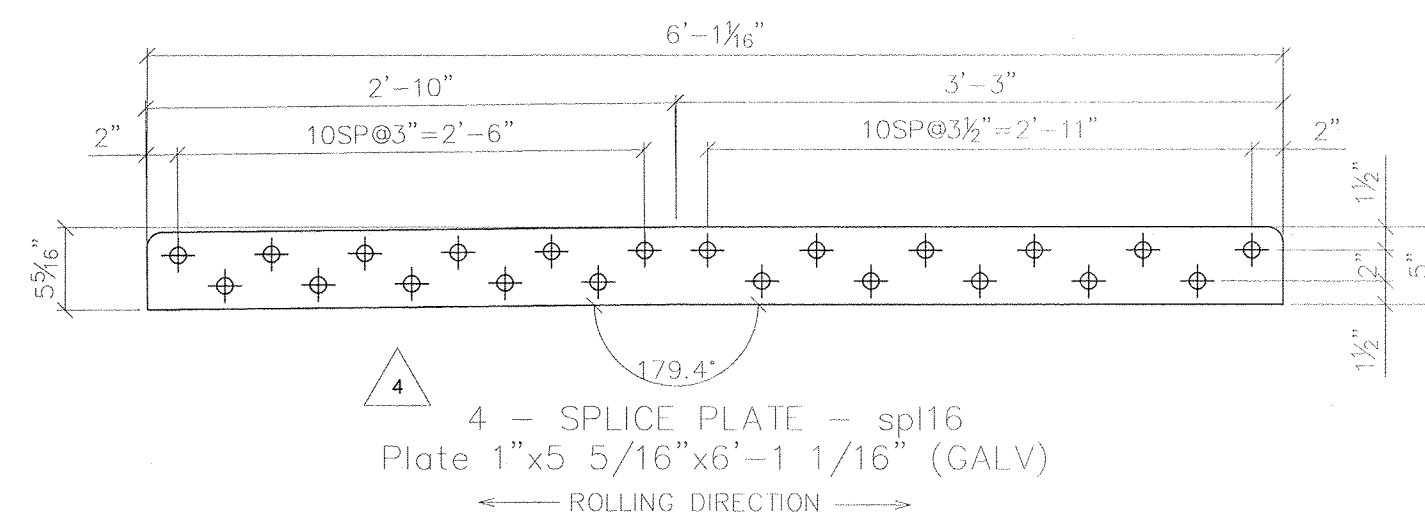
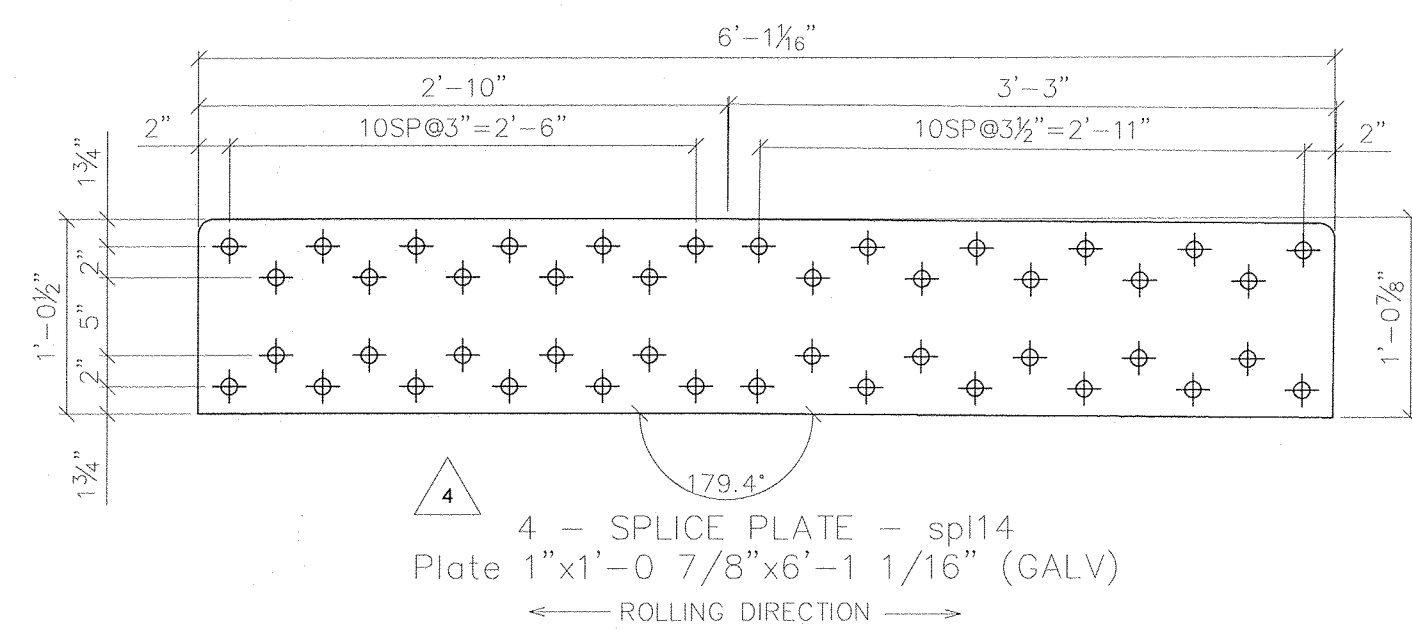


DATE PLOTTED: June 24, 2013



1 1/8" Ø HOLES UNO

RECORD DWGS
AS FABRICATED

6/24/13

SYMBOLS & ABBREVIATIONS

ES: EACH SIDE	NS: NEAR SIDE
EQ: EQUAL	FS: FAR SIDE
CL: CENTERLINE	WP: WORK POINT
REF: REFERENCE	GA: GAUGE
CHK: CHECK	ID: INSIDE DIAMETER
O/C: OUT TO OUT	OD: OUTSIDE DIAMETER
C/C: CENTER TO CENTER	BRC: BEARING
F/F: FACE TO FACE	TYP: TYPICAL
DIA: DIAMETER	UNO: UNLESS NOTED OTHERWISE
R: RADIUS	ABUT: ABUTMENT
	T&B: TOP & BOTTOM

DIST. BY: **CONTECH**
CONSTRUCTION PRODUCTS INC.
www.contech-cpi.com

FAB. BY: **U.S. BRIDGE**
BRIDGING AMERICA SINCE 1934

SUBMITTAL LOG	DATE	NO.	DATE	REVISIONS	BY:
INITIAL SUBMITTAL	12/18/12	1	5/15/13	FLOOR BEAM END PLATES WAS 1" THK	TLB
RESUBMITTAL NO. 2	2/5/13	2	5/15/13	ADDED 2" DIA. RAT HOLES IN I61 & I69	TLB
CUSTOMER APPROVAL	2/13/13	3	5/15/13	CHANGED WELD WAS 3/8" ALL AROUND	TLB
SHOP REVIEW	-	4	5/15/13	CHANGED BOLT PATTERN	TLB
PRE FAB MTG	-	5	5/15/13	WAS 2" EDGE DISTANCE	TLB
APPROVED FOR FAB	2/28/13	6	6/3/13	DIMENSIONAL ERRORS	TLB

00000001.jpg	TOWN OF WARREN, VT COUNTY OF WASHINGTON BRIDGE NO.173 REPLACEMENT WARREN, VT	ITEM NO.: PROJECT NO.: BRF 013-4 (14) REFERENCE NO.: BRIDGE NO.: 173 STRUCTURAL FILE NO.:
DESIGN: SAF	DRAW: TLB	REVIEW: SAF/RLI
CHECK: CJG	USB JOB# 51622	SHEET 101
SHOP DETAILS		PLATES

58	101
----	-----

S:\08\VERMONT\151622-Gain-Traus-138' x 35'-Warren,VT over Mad River\Drawings\151622-AS-BUILD 6-24-13.dwg