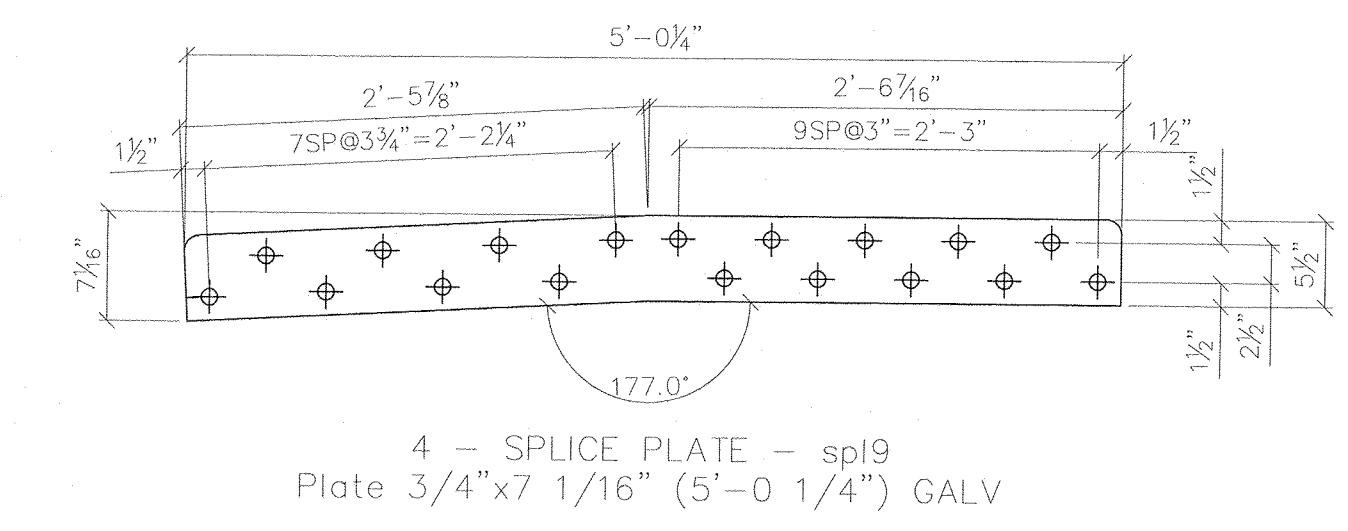
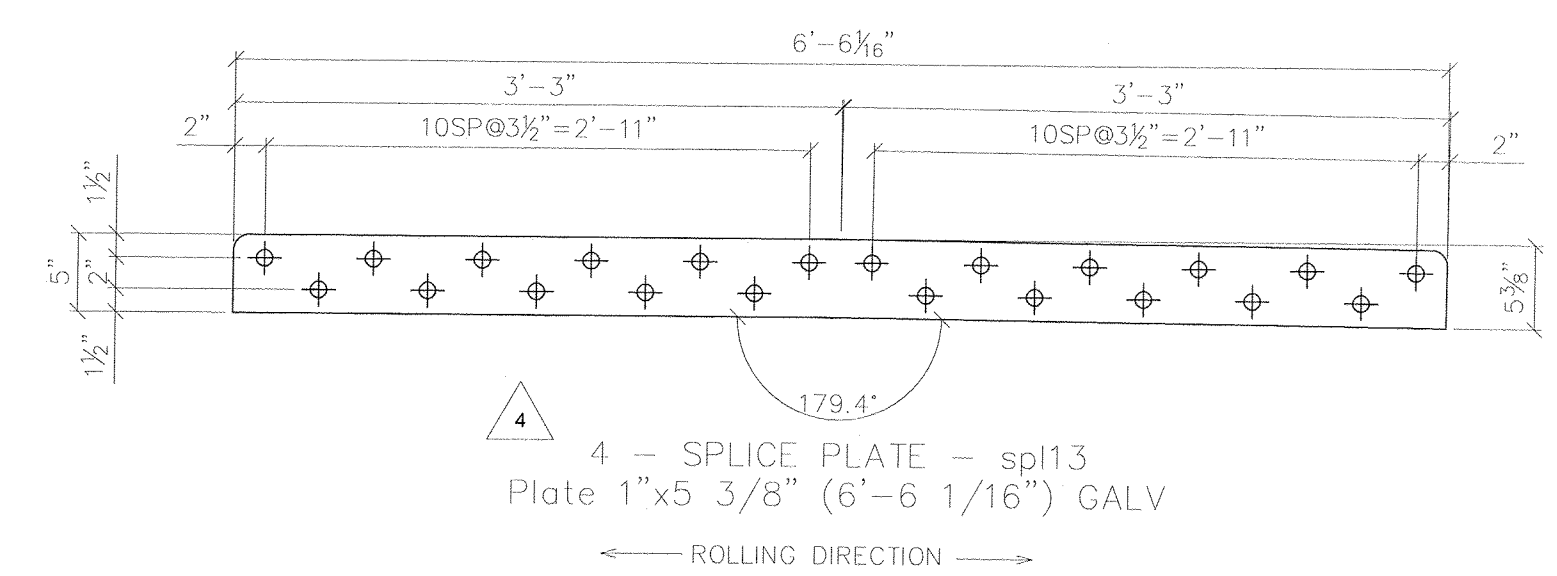


DATE PLOTTED June 24, 2010

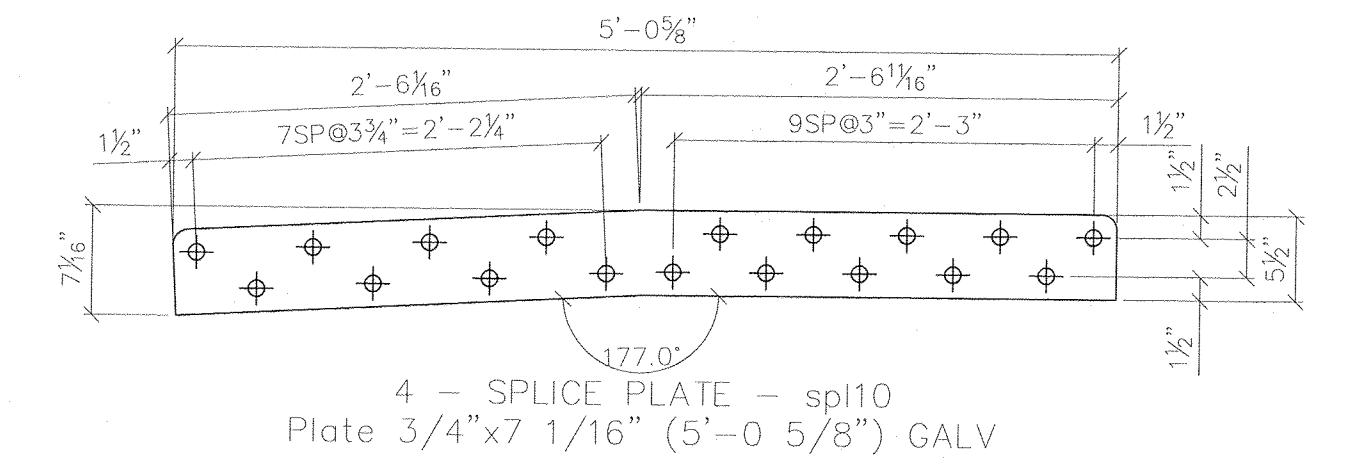
SUBSHEET NO. 1522-047, 1522-048, 1522-049, 1522-050, 1522-051, 1522-052, 1522-053, 1522-054, 1522-055, 1522-056, 1522-057, 1522-058, 1522-059, 1522-060, 1522-061, 1522-062, 1522-063, 1522-064, 1522-065, 1522-066, 1522-067, 1522-068, 1522-069, 1522-070, 1522-071, 1522-072, 1522-073, 1522-074, 1522-075, 1522-076, 1522-077, 1522-078, 1522-079, 1522-080, 1522-081, 1522-082, 1522-083, 1522-084, 1522-085, 1522-086, 1522-087, 1522-088, 1522-089, 1522-090, 1522-091, 1522-092, 1522-093, 1522-094, 1522-095, 1522-096, 1522-097, 1522-098, 1522-099, 1522-100



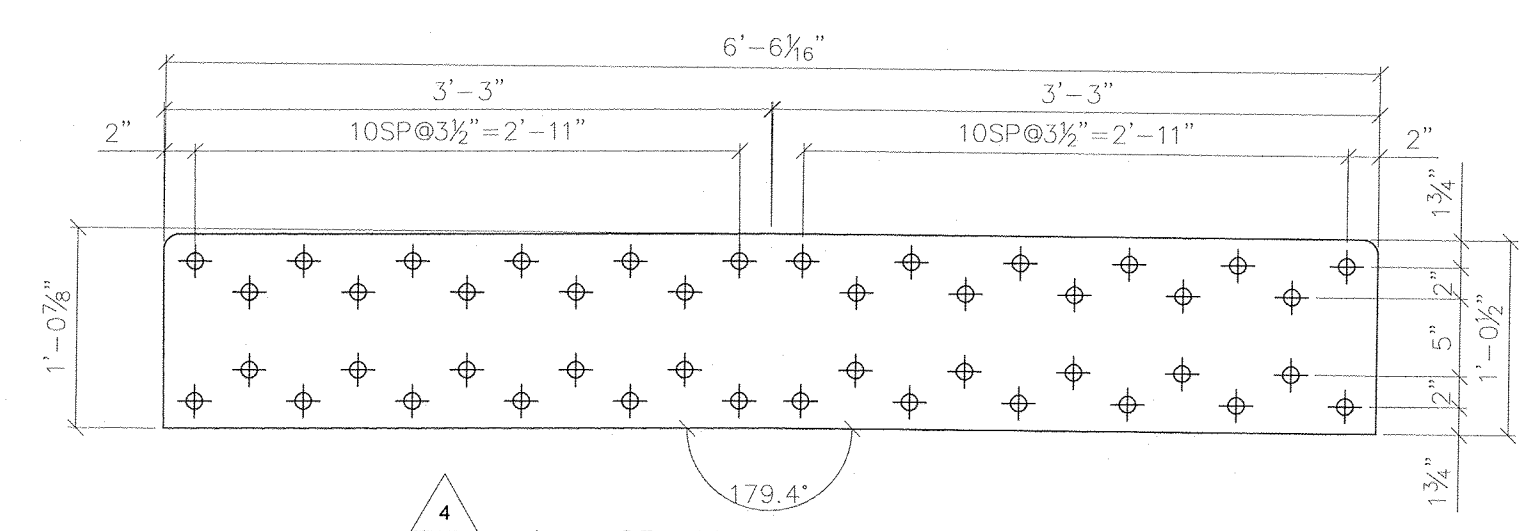
4 - SPLICE PLATE - sp19
Plate 3/4"x7 1/16" (5'-0 1/4") GALV



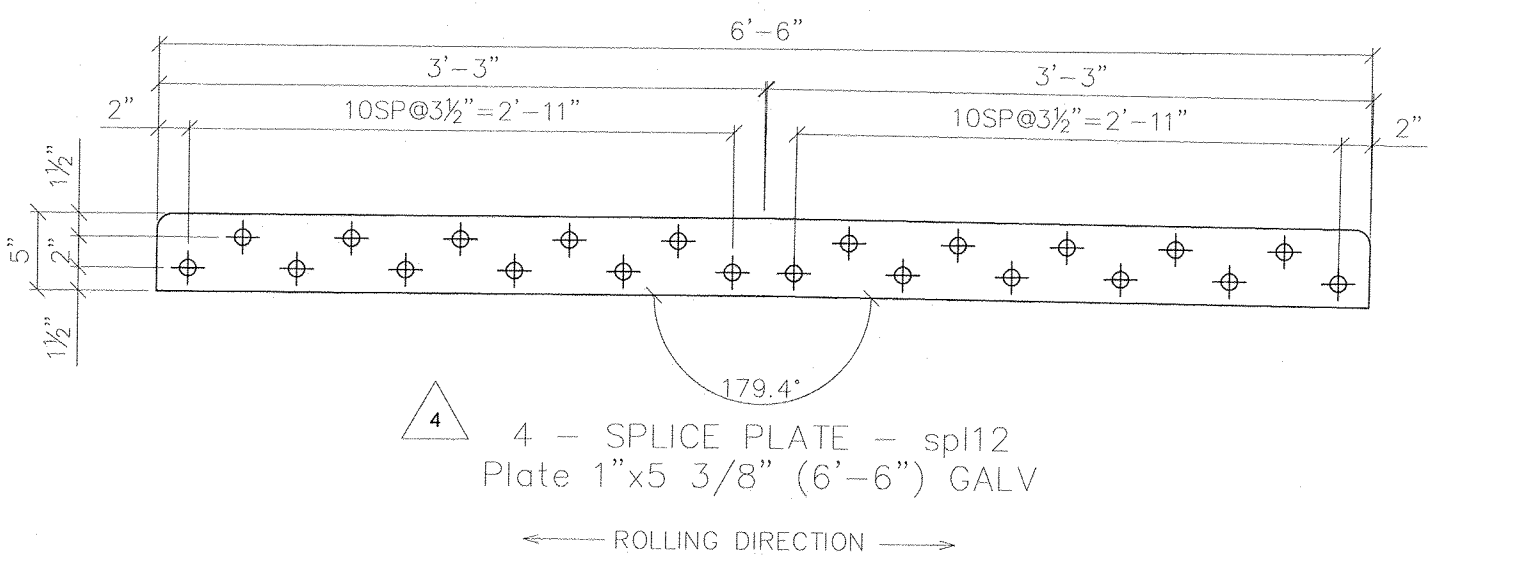
4 - SPLICE PLATE - sp13
Plate 1"x5 3/8" (6'-6 1/16") GALV



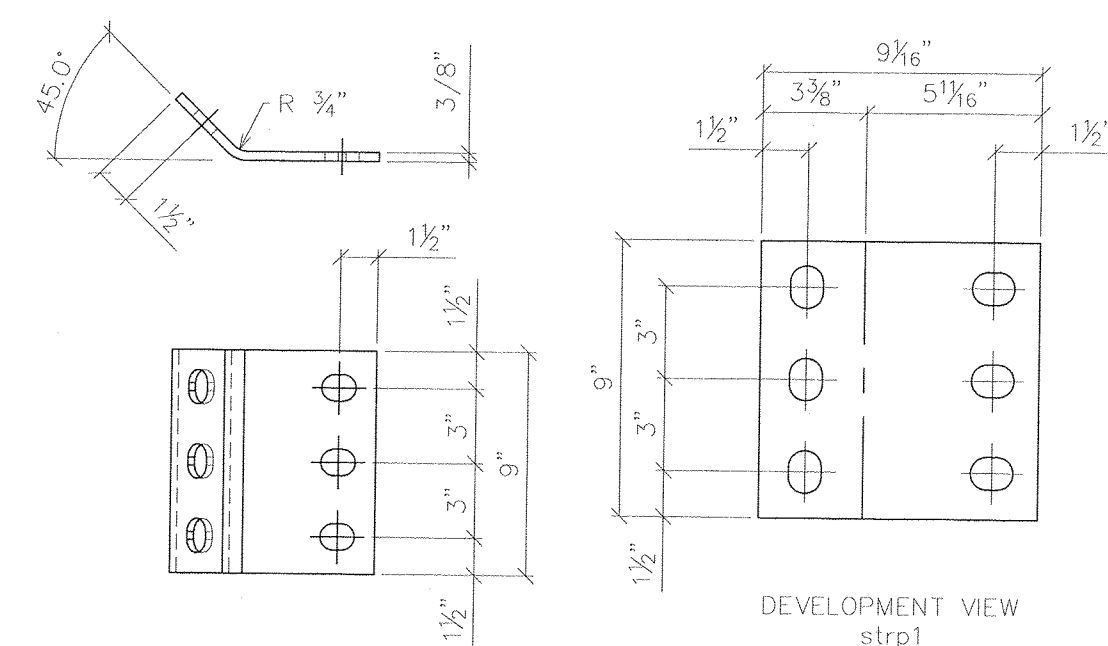
4 - SPLICE PLATE - sp10
Plate 3/4"x7 1/16" (5'-0 5/8") GALV



4 - SPLICE PLATE - sp11
Plate 1"x1'-0 7/8" (6'-6 1/16") GALV

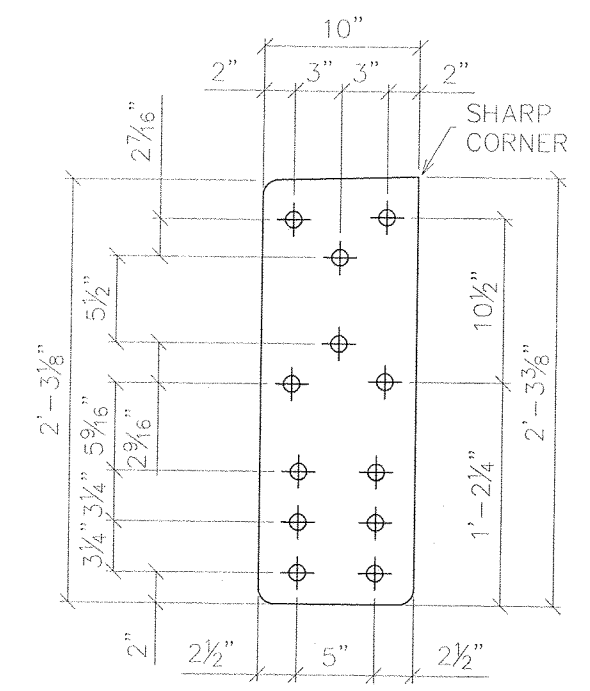


4 - SPLICE PLATE - sp12
Plate 1"x5 3/8" (6'-6") GALV

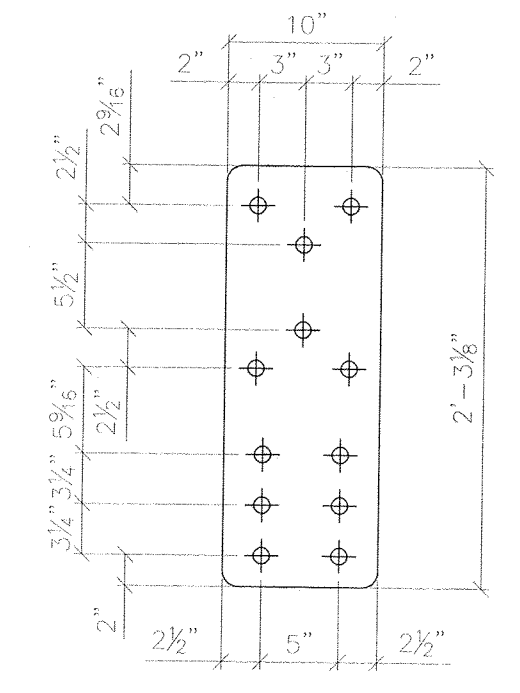


12 - STRINGER PLATE - strp1
Plate 3/8"x9" (9") GALV

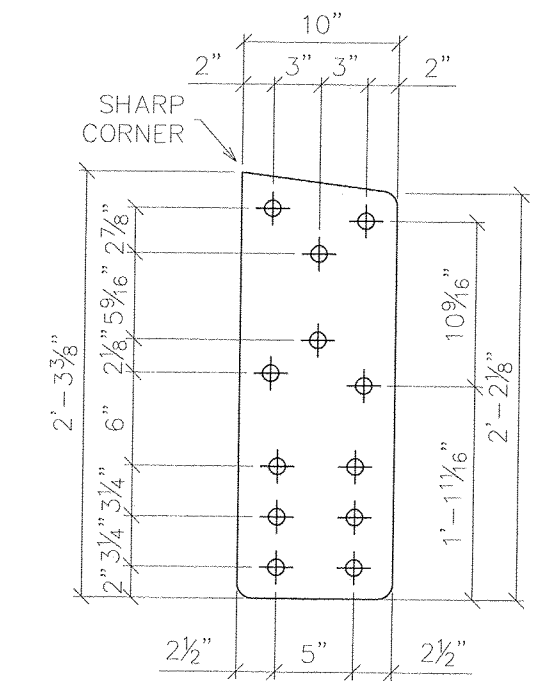
1 1/8" x 1 1/8" SLOTS



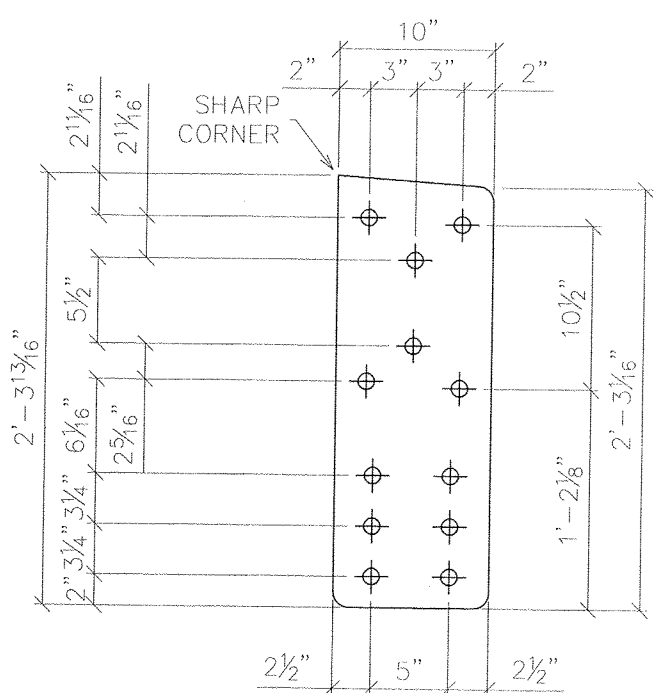
8 - UPPER CUSSET - u7
Plate 5/8"x10" (2'-3 3/8") GALV



4 - UPPER CUSSET - u9
Plate 5/8"x10" (2'-3 1/8") GALV



4 - UPPER CUSSET - u3
Plate 5/8"x10" (2'-3 3/8") GALV



4 - UPPER CUSSET - u5
Plate 5/8"x10" (2'-3 13/16") GALV

1 1/8" HOLES UNO

RECORD DWGS
AS FABRICATED

6/24/13

SYMBOLS & ABBREVIATIONS

ES: EACH SIDE	NS: NEAR SIDE
EQ: EQUAL	FS: FAR SIDE
REF: REFERENCE	WP: WORK POINT
CHK: CHECK	GA: GAUGE
O: OUT TO OUT	ID: INSIDE DIAMETER
C: CENTER TO CENTER	OD: OUTSIDE DIAMETER
F: FACE TO FACE	BRG: BEARING
R: RADIUS	TYP: TYPICAL
	UNO: UNLESS NOTED OTHERWISE
	ABUT: ABUTMENT
	T&B: TOP & BOTTOM

DIS. BY: **CONTECH**
CONSTRUCTION PRODUCTS INC.
www.contech-cpi.com

FAB. BY: **U.S. BRIDGE**
BRIDGING AMERICA SINCE 1936

NO.	DATE	BY	REVISIONS
1	5/15/13		FLOOR BEAM END PLATES WAS 1" THK
2	5/15/13		ADDED 2" DIA. RAT HOLES IN fb1 & fb9
3	5/15/13		CHANGED WELD WAS 3/8" ALL AROUND
4	5/15/13		CHANGED BOLT PATTERN
5	5/15/13		WAS 2" EDGE DISTANCE
6	6/3/13		DIMENSIONAL ERRORS

00000001.jpg

TOWN OF WARREN, VT
COUNTY OF WASHINGTON
BRIDGE NO.173 REPLACEMENT
WARREN, VT

DESIGN: SAF DRAW: TLB REVIEW: SAF/RLI CHECK: C/JG

ITEM NO.:
PROJECT NO.: BRF 013-4 (14)
REFERENCE NO.:
BRIDGE NO.: 173
STRUCTURAL FILE NO.:

SHOP DETAILS

PLATES

10h

58

51622