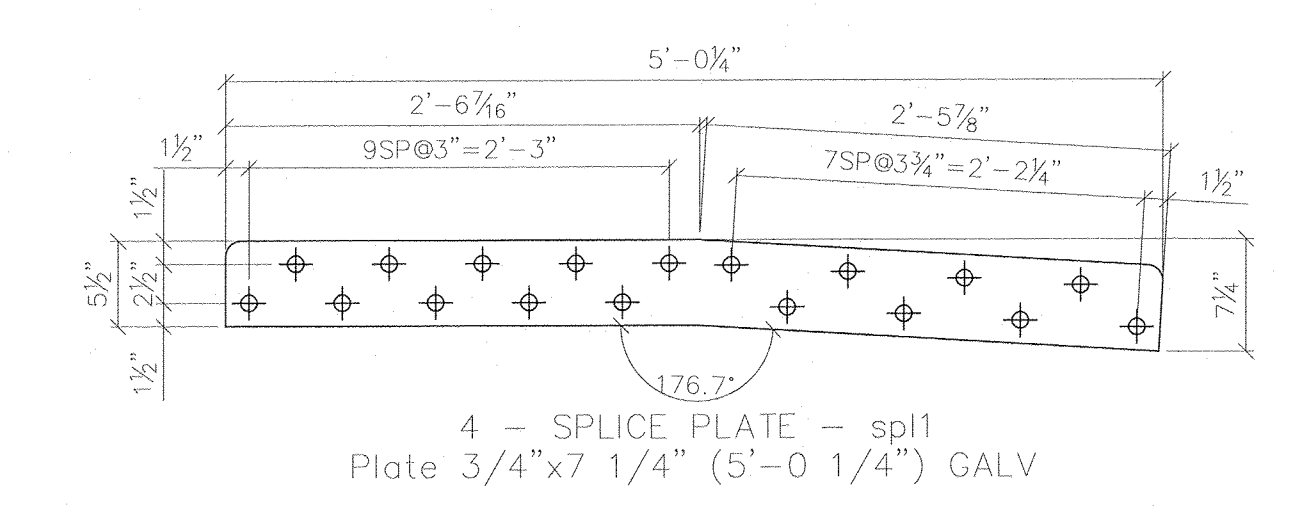
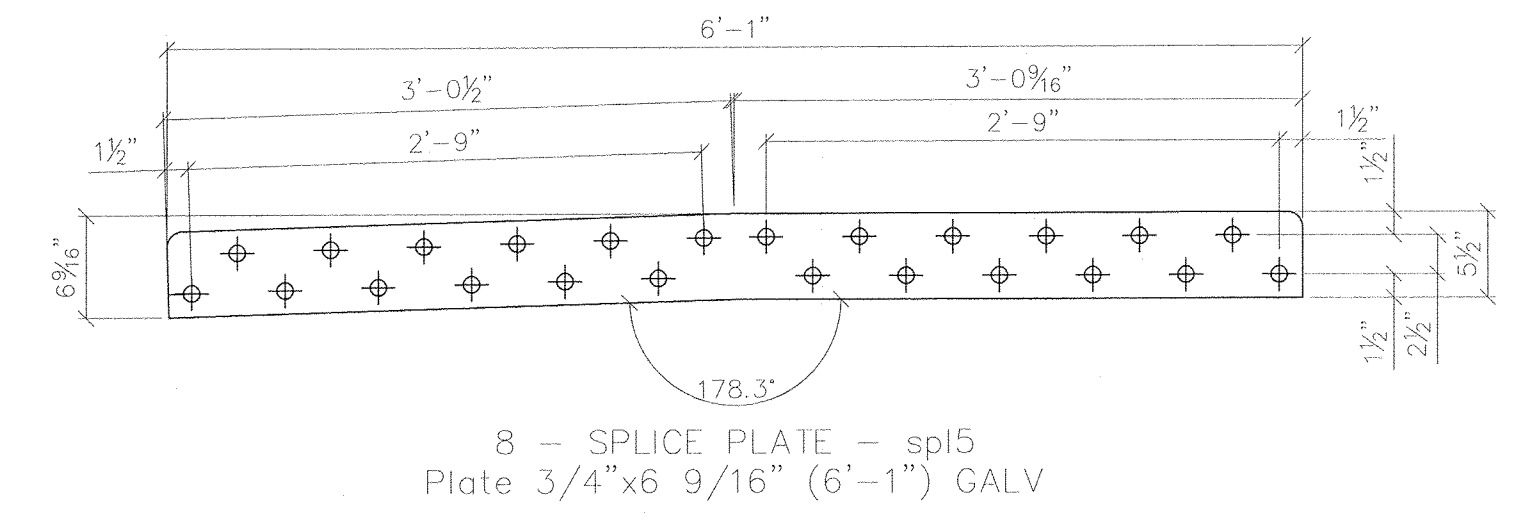


DATE PLOTTED June 24, 2013

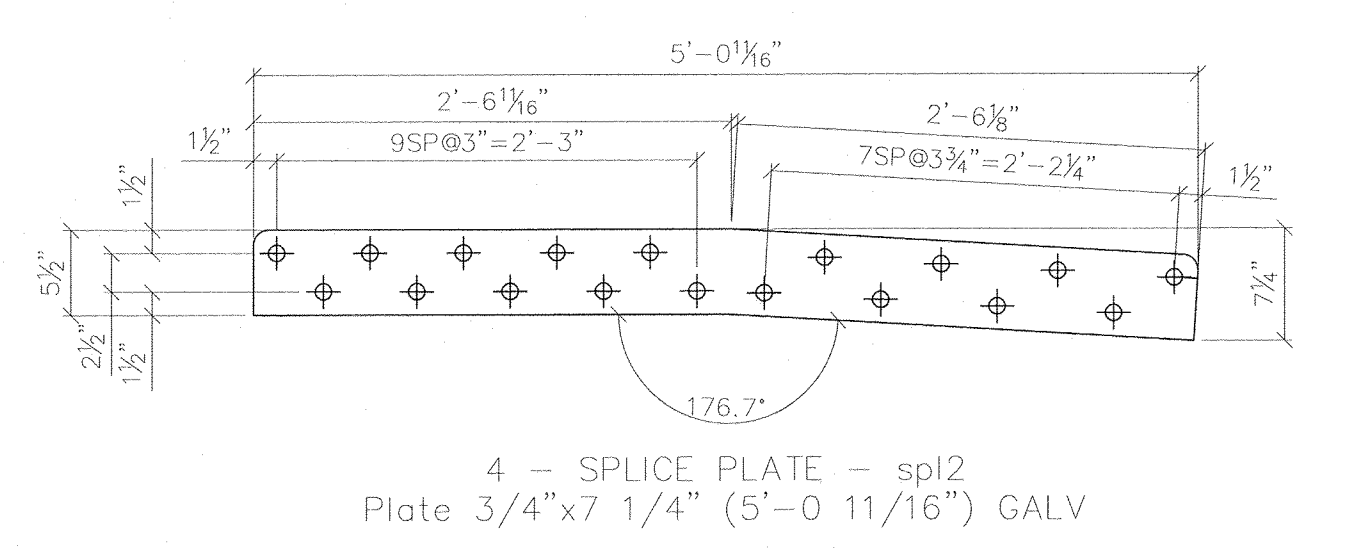
S:\DRS\VERMONT\151622-Galv\Trans-1385 x 35-Warren.VT over Mad River\Drawings\151622-AS-BUILD 6-24-13.dwg



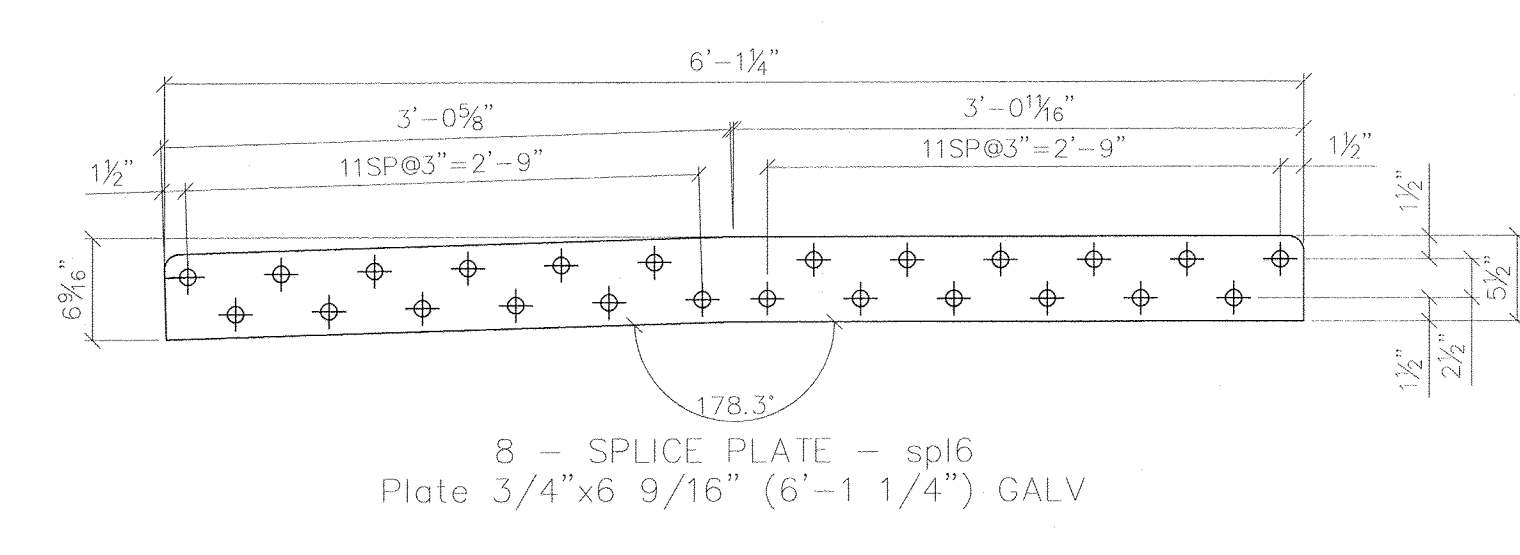
4 - SPLICE PLATE - spl1  
Plate 3/4"x7 1/4" (5'-0 1/4") GALV



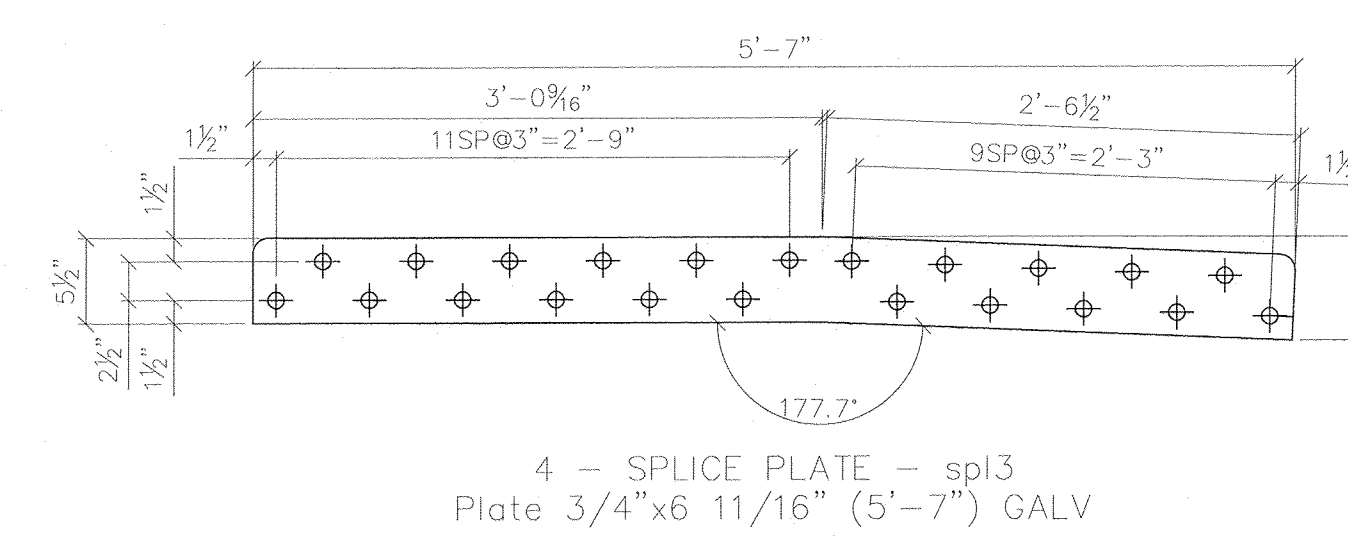
8 - SPLICE PLATE - spl5  
Plate 3/4"x6 9/16" (6'-1") GALV



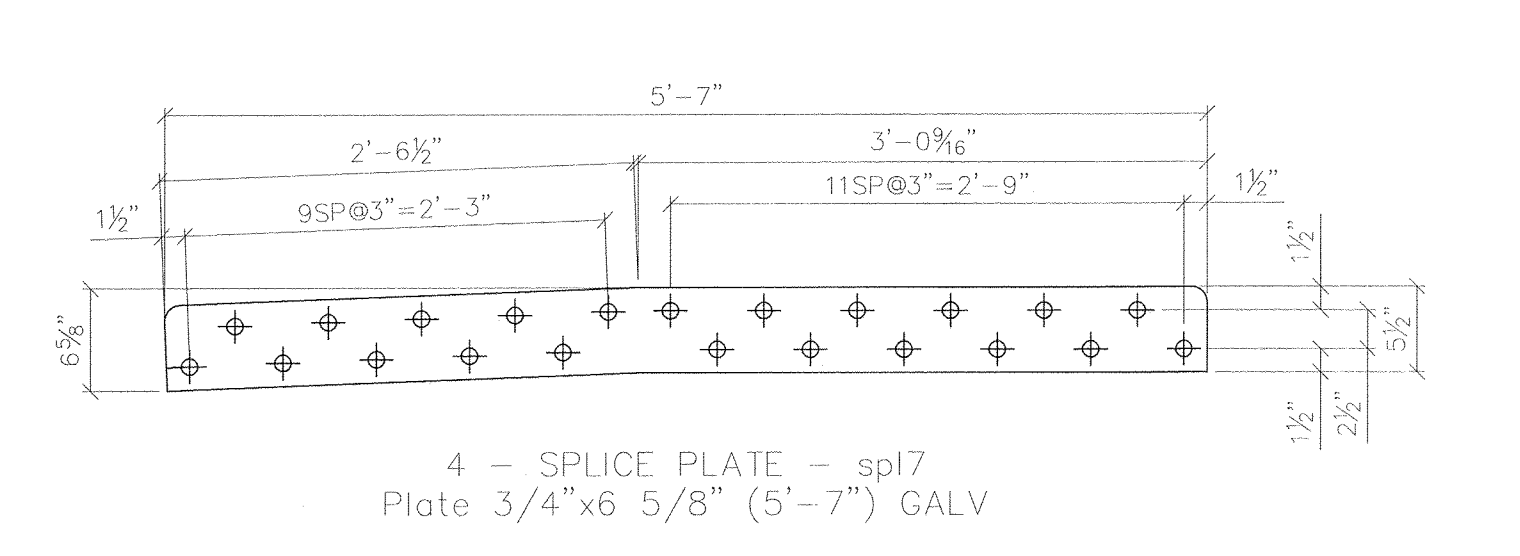
4 - SPLICE PLATE - spl2  
Plate 3/4"x7 1/4" (5'-0 11/16") GALV



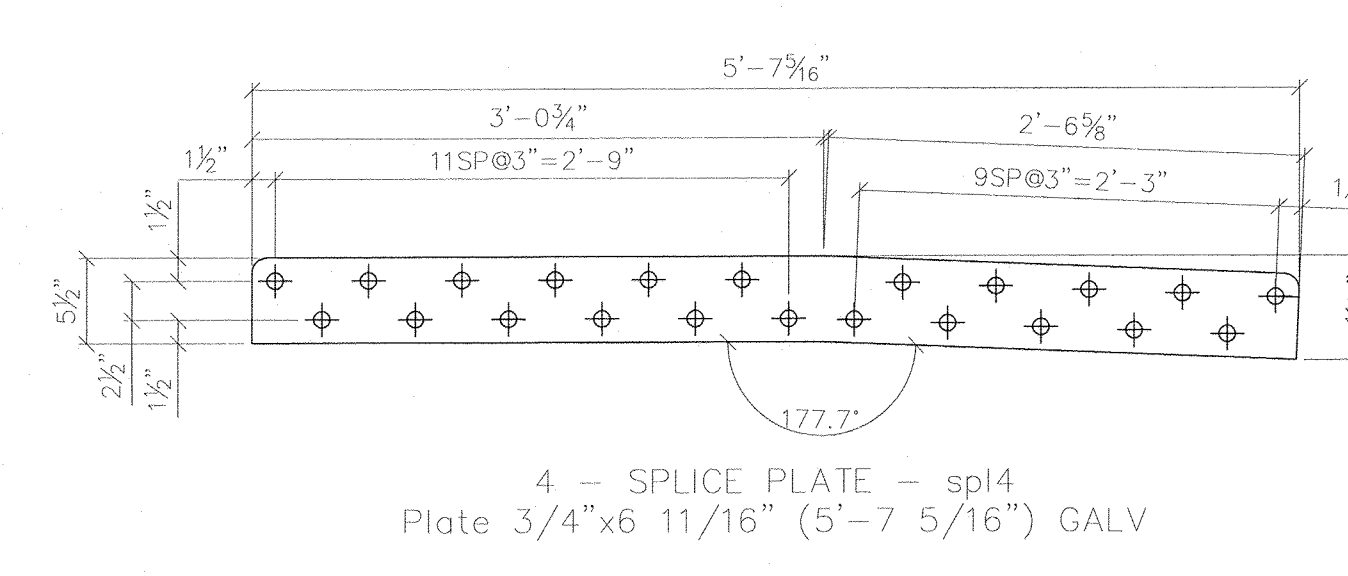
8 - SPLICE PLATE - spl6  
Plate 3/4"x6 9/16" (6'-1 1/4") GALV



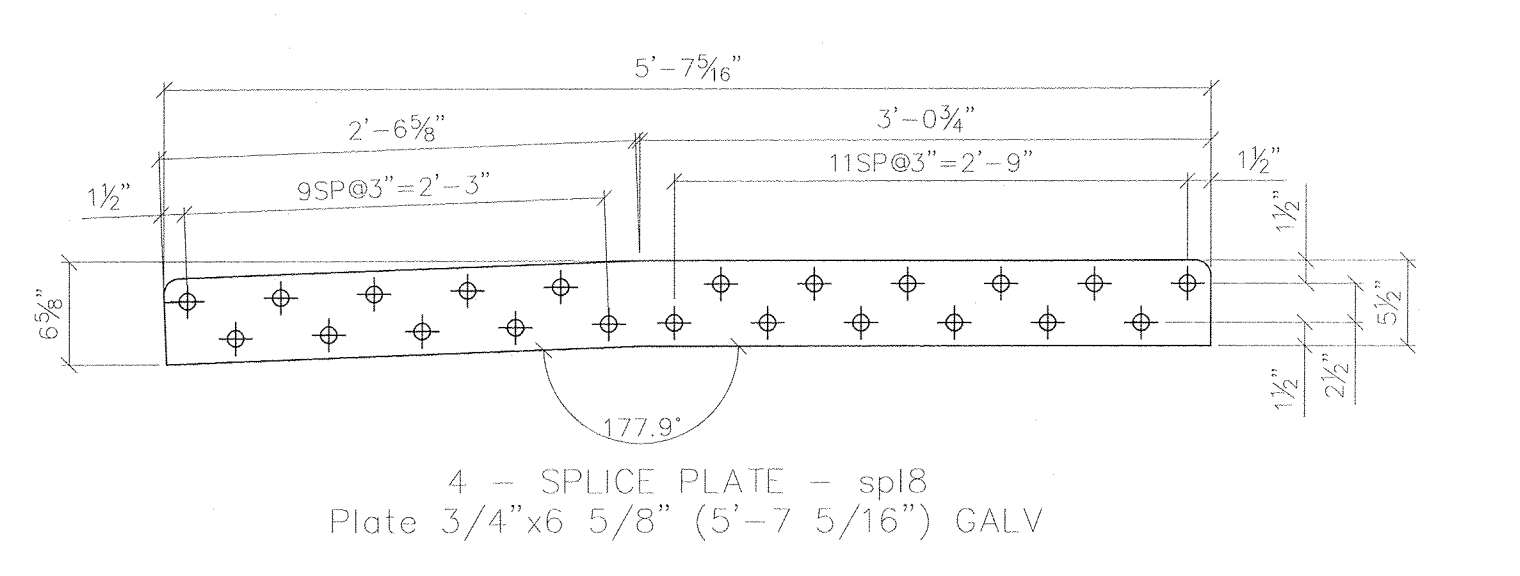
4 - SPLICE PLATE - spl3  
Plate 3/4"x6 11/16" (5'-7") GALV



4 - SPLICE PLATE - spl7  
Plate 3/4"x6 5/8" (5'-7") GALV



4 - SPLICE PLATE - spl4  
Plate 3/4"x6 11/16" (5'-7 5/16") GALV



4 - SPLICE PLATE - spl8  
Plate 3/4"x6 5/8" (5'-7 5/16") GALV

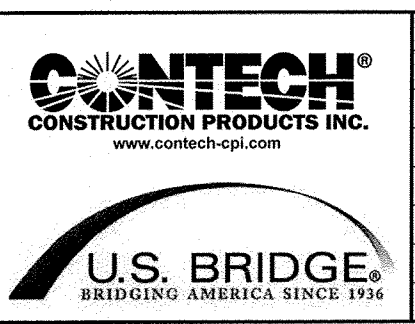
1 1/16" HOLES UNO

RECORD DWGS  
AS FABRICATED  
6/24/13

**SYMBOLS & ABBREVIATIONS**

ES:	EACH SIDE
EQ:	EQUAL
CL:	CENTERLINE
REF:	REFERENCE
CHK:	CHECK
O/O:	OUT TO OUT
C/C:	CENTER TO CENTER
F/F:	FACE TO FACE
DA:	DIAMETER
R:	RADIUS
NS:	NEAR SIDE
FS:	FAR SIDE
WP:	WORK POINT
GA:	GALVE
ID:	INSIDE DIAMETER
OD:	OUTSIDE DIAMETER
BRC:	BEARING
TYP:	TYPICAL
UNO:	UNLESS NOTED OTHERWISE
ASUT:	AS UMBENT
T&B:	TOP & BOTTOM

DIST. BY:



SUBMITTAL LOG	DATE	NO.	DATE	REVISIONS	BY:
INITIAL SUBMITTAL	12/18/12	1	5/15/13	FLOOR BEAM END PLATES WAS 1" THK	TLB
RESUBMITTAL NO. 2	2/5/13	2	5/15/13	ADDED 2" DIA. RAT HOLES IN hb1 & hb9	TLB
CUSTOMER APPROVAL	2/13/13	3	5/15/13	CHANGED WELD WAS 3/16" ALL AROUND	TLB
SHOP REVIEW	-	4	5/15/13	CHANGED BOLT PATTERN	TLB
PRE FAB MTG	-	5	5/15/13	WAS 2" EDGE DISTANCE	TLB
APPROVED FOR FAB	2/28/13	6	6/3/13	DIMENSIONAL ERRORS	TLB

TOWN OF WARREN, VT  
COUNTY OF WASHINGTON  
BRIDGE NO. 173 REPLACEMENT  
WARREN, VT

DESIGN: SAF	DRAW: TLB	REVIEW: SAF/RLL	CHECK: CUG	ITEM NO.: PROJECT NO.: BRF 013-4 (14)
USB JOB# 51622	58	REFERENCE NO.: BRIDGE NO.: 173		
STRUCTURAL FILE NO.:		STRUCTURAL FILE NO.:		

00000001.jpg

SHOP DETAILS

PLATES

58