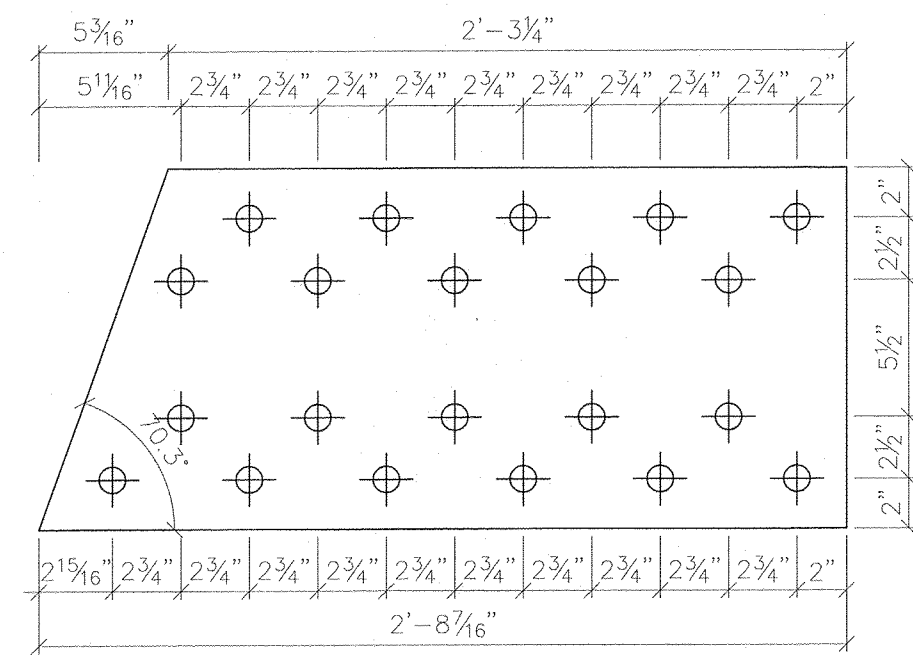
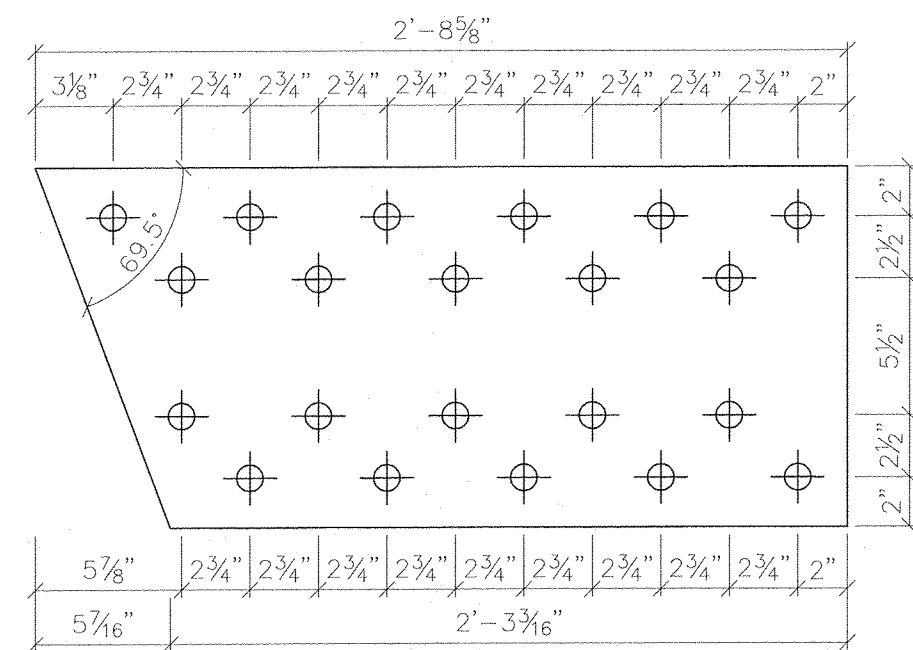


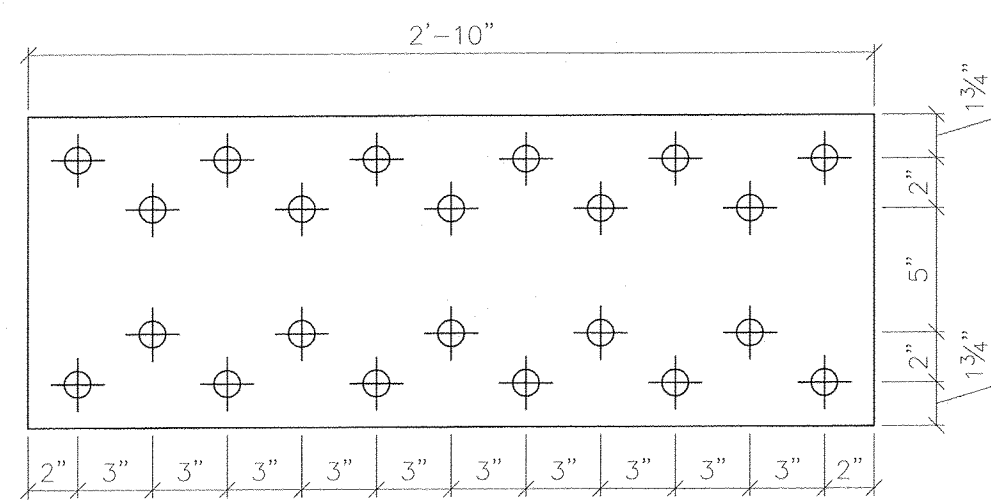
DATE PLOTTED June 24, 2013



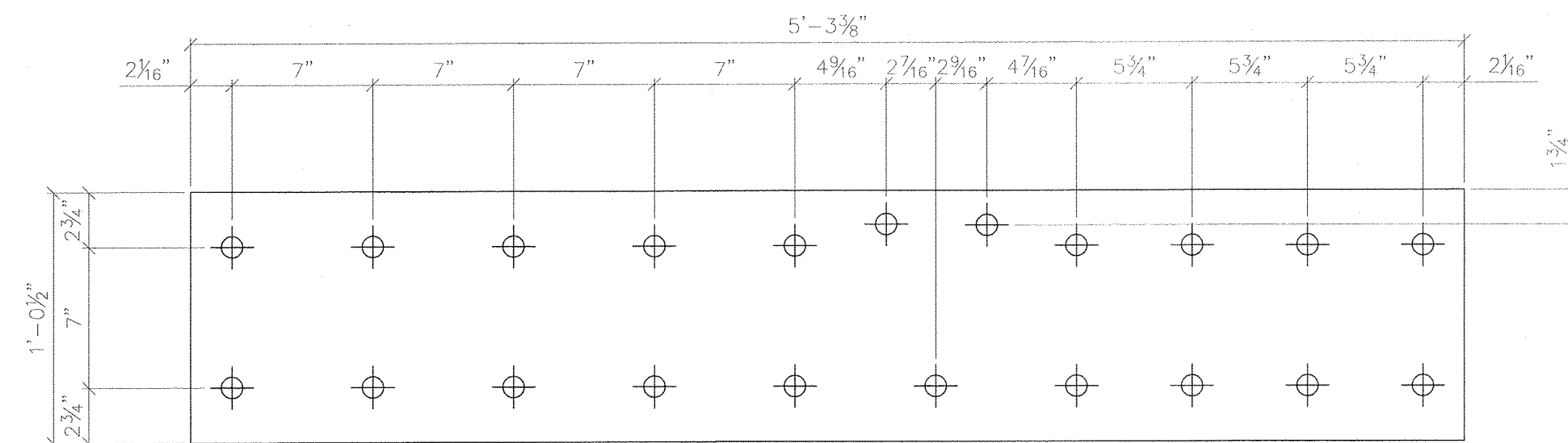
4 - SHIM PLATE - shp15
Plate 1/4"x1'-2 1/2" (2'-8 7/16") GALV



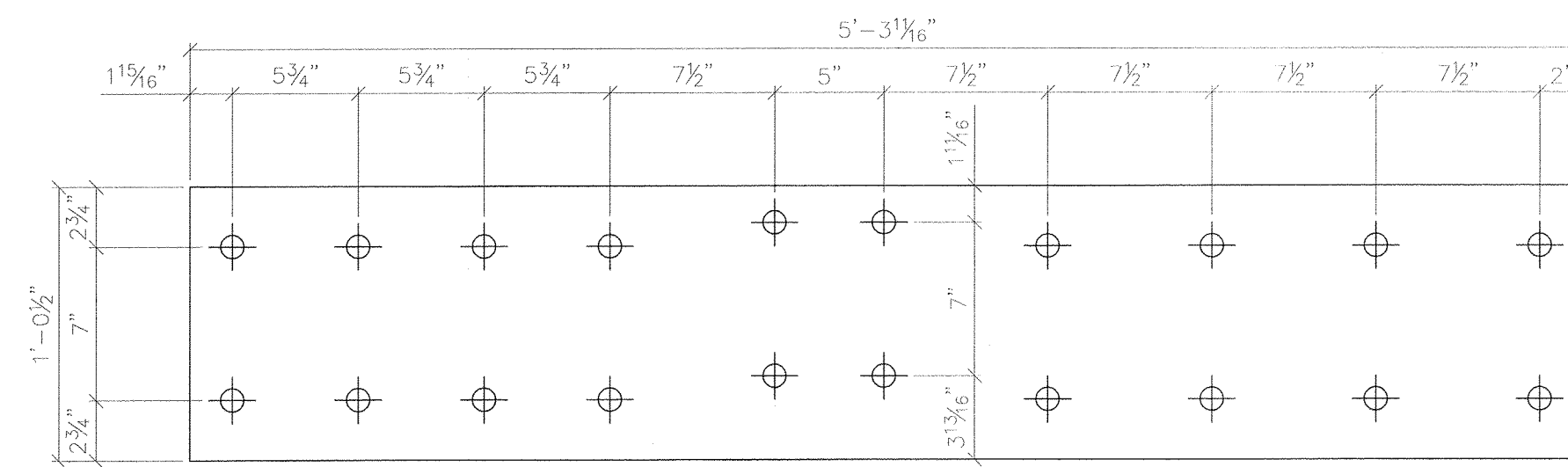
4 - SHIM PLATE - shp16
Plate 1/4"x1'-2 1/2" (2'-8 5/8") GALV



8 - SHIM PLATE - shp17
Plate 1/8"x1'-0 1/2" (2'-10") GALV



4 - SHIM PLATE - shp19
Plate 1/8"x1'-0 1/2" (5'-3 3/8") GALV



4 - SHIM PLATE - shp20
Plate 1/8"x1'-0 1/2" (5'-3 11/16") GALV

1 1/16" HOLES UNO

RECORD DWGS
AS FABRICATED
6/24/13

S:\JOB\VERMONT\51622-Galv-Tubes-1385 x 85-Warren,VT over Mad River\Drawings\51622-AS-BUILD-6-24-13.dwg

SYMBOLS & ABBREVIATIONS

ES: EACH SIDE	NS: NEAR SIDE
EQ: EQUAL	FS: FAR SIDE
CL: CENTERLINE	WP: WORK POINT
REF: REFERENCE	GA: GAUGE
CHK: CHECK	ID: INSIDE DIAMETER
O/C: OUT TO OUT	OD: OUTSIDE DIAMETER
C/C: CENTER TO CENTER	BRG: BEARING
DIA: DIAMETER	TYP: TYPICAL
R: RADIUS	UNO: UNLESS NOTED OTHERWISE
	ASUT: ASUTMENT
	T&B: TOP & BOTTOM

DIST. BY: **CONTECH** CONSTRUCTION PRODUCTS INC.
www.contech-cpi.com

FAB. BY: **U.S. BRIDGE** BRIDGING AMERICA SINCE 1934

SUBMITTAL LOG	DATE	NO.	DATE	REVISIONS:	BY:
INITIAL SUBMITTAL	12/18/12	△	5/15/13	FLOOR BEAM END PLATES WAS 1" THK	TLB
RESUBMITTAL NO. 2	2/5/13	△	5/15/13	ADDED 2" DIA. RAT HOLES IN fb1 & fb9	TLB
CUSTOMER APPROVAL	2/13/13	△	5/15/13	CHANGED WELD WAS 3/16" ALL AROUND	TLB
SHOP REVIEW	-	△	5/15/13	CHANGED BOLT PATTERN	TLB
PRE FAB MTG	-	△	5/15/13	WAS 2" EDGE DISTANCE	TLB
APPROVED FOR FAB	2/28/13	△	6/3/13	DIMENSIONAL ERRORS	TLB

00000001.jpg

TOWN OF WARREN, VT	ITEM NO.:
COUNTY OF WASHINGTON	PROJECT NO.: BRF 013-4 (14)
BRIDGE NO.173 REPLACEMENT	REFERENCE NO.:
WARREN, VT	BRIDGE NO.: 173
	STRUCTURAL FILE NO.:

DESIGN: SAF	DRAW: TLB	REVIEW: SAF/RLI	CHECK: CJG	SHEET: 10e
SHOP DETAILS / PLATES				TOTAL: 58
USB JOB# 51622				