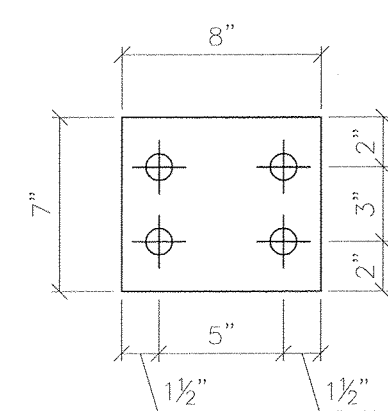
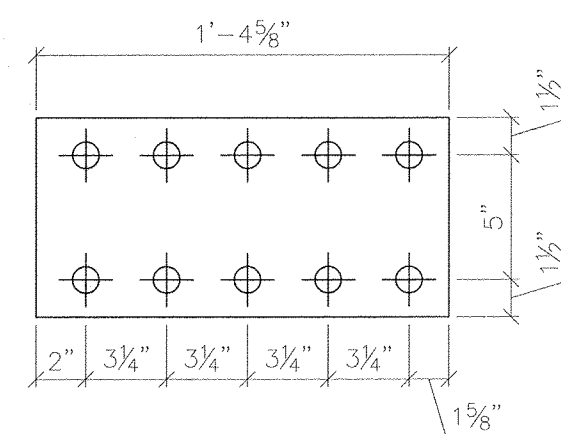


DATE PLOTTED: June 24, 2013

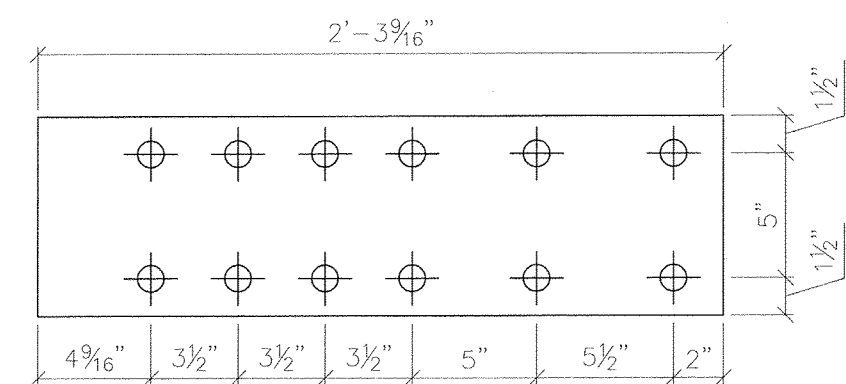
S:\03\BRIDGE\10151622-Galv Trans-1385 x 35-Warren.VT over Mad River\Drawings\10151622-AS-BUILD\16-24-13.dwg



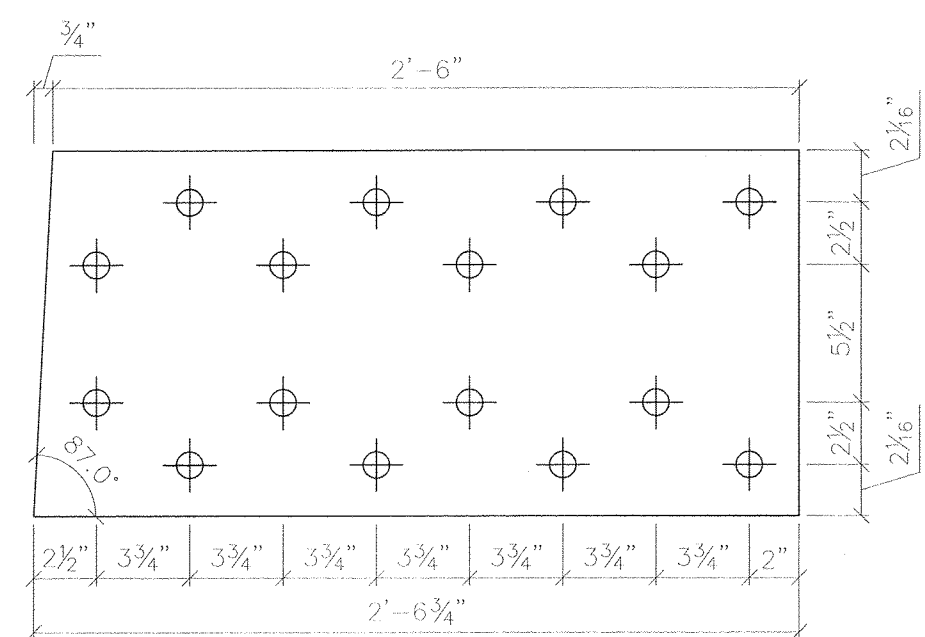
8 - SHIM PLATE - shp1
Plate 1 1/2"x7" (8") GALV



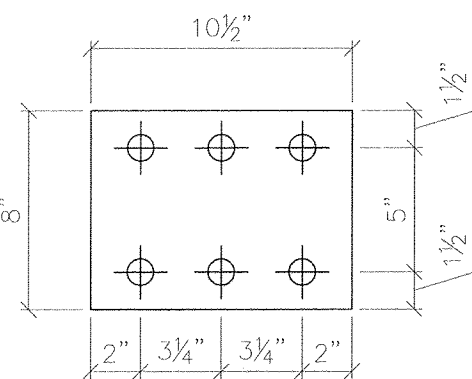
8 - SHIM PLATE - shp5
Plate 7/8"x8" (1'-4 5/8") GALV



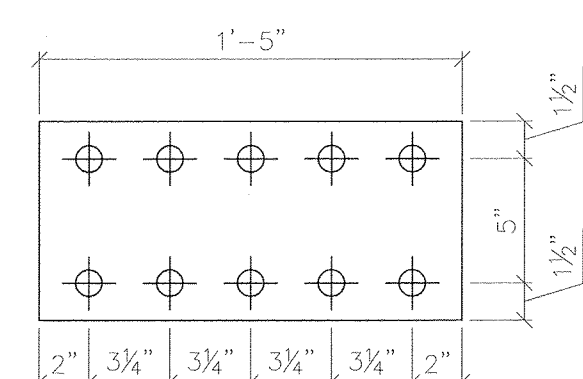
4 - SHIM PLATE - shp9
Plate 1/4"x8" (2'-3 9/16") GALV



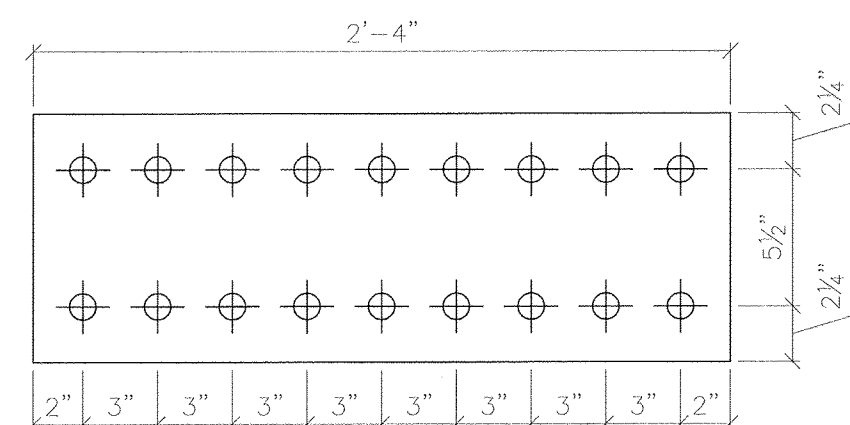
4 - SHIM PLATE - shp12
Plate 3/8"x1'-2 5/8" (2'-6 3/4") GALV



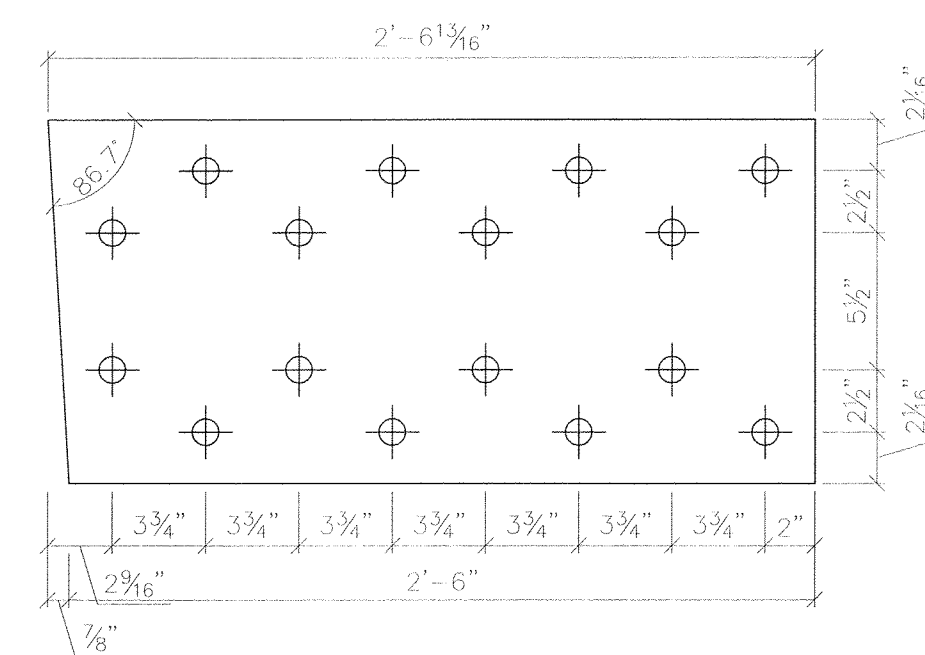
8 - SHIM PLATE - shp2
Plate 3/4"x8" (10 1/2") GALV



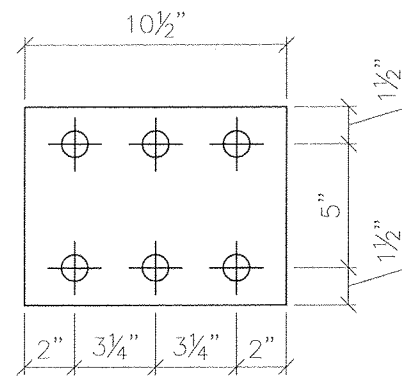
24 - SHIM PLATE - shp6
Plate 7/8"x8" (1'-5") GALV



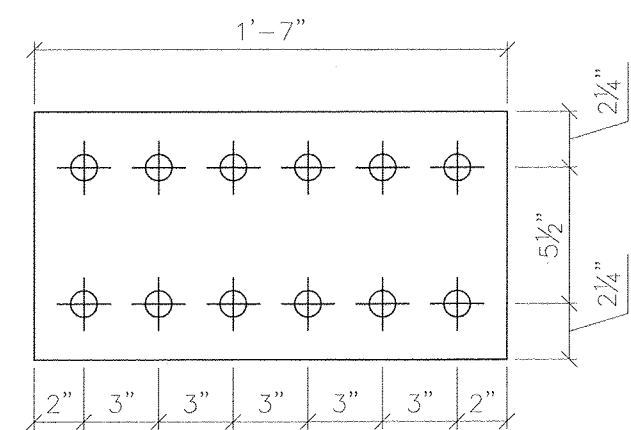
8 - SHIM PLATE - shp10
Plate 3/8"x10" (2'-4") GALV



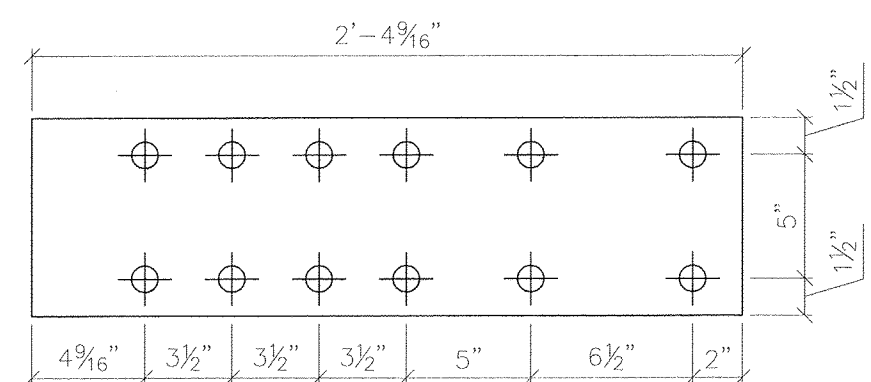
4 - SHIM PLATE - shp13
Plate 3/8"x1'-2 5/8" (2'-6 13/16") GALV



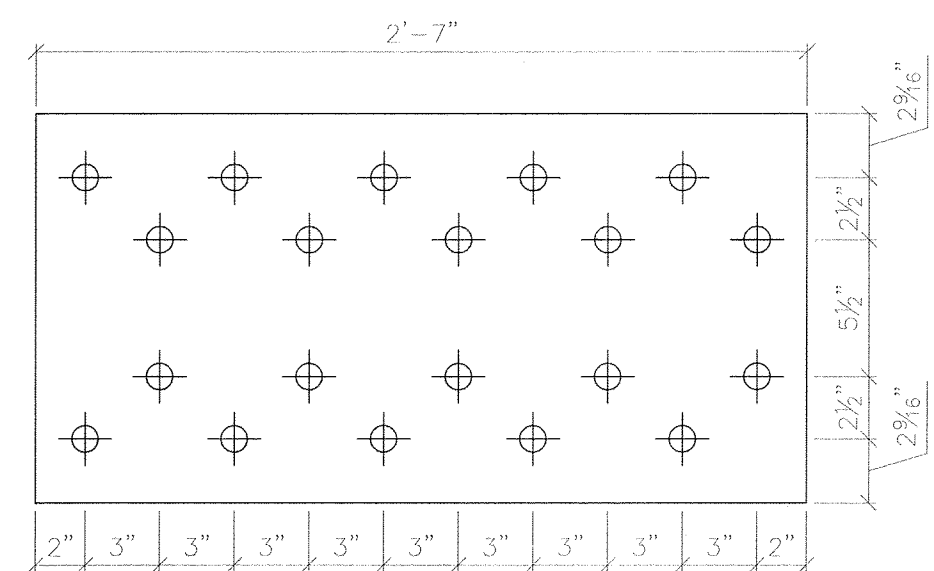
8 - SHIM PLATE - shp3
Plate 1/2"x8" (10 1/2") GALV



8 - SHIM PLATE - shp7
Plate 5/8"x10" (1'-7") GALV



4 - SHIM PLATE - shp11
Plate 1/4"x8" (2'-4 9/16") GALV



8 - SHIM PLATE - shp14
Plate 1/4"x1'-3 5/8" (2'-7") GALV

1 1/2" Ø HOLES UNO

RECORD DWGS
AS FABRICATED
6/24/13

SYMBOLS & ABBREVIATIONS

ES: EACH SIDE	NS: NEAR SIDE
EQ: EQUAL	FS: FAR SIDE
CL: CENTERLINE	WP: WORK POINT
REF: REFERENCE	GA: GAUGE
CHK: CHECK	ID: INSIDE DIAMETER
OD: OUT TO OUT	OD: OUTSIDE DIAMETER
CC: CENTER TO CENTER	BRG: BEARING
FV: FACE TO FACE	TYP: TYPICAL
DIA: DIAMETER	UNO: UNLESS NOTED OTHERWISE
R: RADIUS	ABUT: ABUTMENT
	T&B: TOP & BOTTOM

DIST. BY:



FAB. BY:



SUBMITTAL LOG	DATE	NO.	DATE	REVISIONS:	BY:
INITIAL SUBMITTAL	12/18/12	1	5/15/13	FLOOR BEAM END PLATES WAS 1" THK	TLB
RESUBMITTAL NO. 2	2/5/13	2	5/15/13	ADDED 2" DIA. RAT HOLES IN fb1 & fb9	TLB
CUSTOMER APPROVAL	2/13/13	3	5/15/13	CHANGED WELD WAS 3/8" ALL AROUND	TLB
SHOP REVIEW	-	4	5/15/13	CHANGED BOLT PATTERN	TLB
PRE FAB MTG	-	5	5/15/13	WAS 2" EDGE DISTANCE	TLB
APPROVED FOR FAB	2/28/13	6	6/3/13	DIMENSIONAL ERRORS	TLB

00000001.jpg

TOWN OF WARREN, VT
COUNTY OF WASHINGTON
BRIDGE NO. 173 REPLACEMENT
WARREN, VT

ITEM NO.:
PROJECT NO.: BRF 013-4 (14)
REFERENCE NO.:
BRIDGE NO.: 173
STRUCTURAL FILE NO.:

DESIGN: SAF	DRAW: TLB	REVIEW: SAF/RLI	CHECK: CJG
SHOP DETAILS		PLATES	
USB JOB# 51622		SHEET 10d 58	